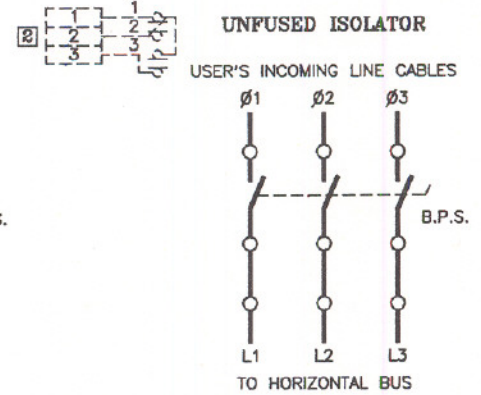
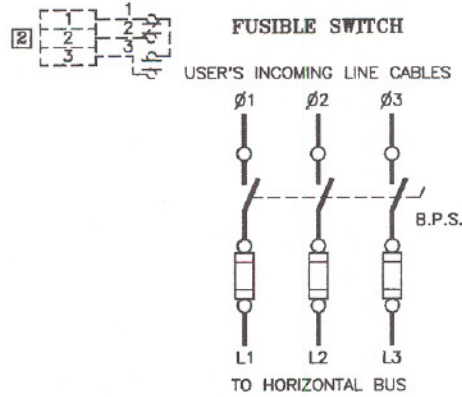
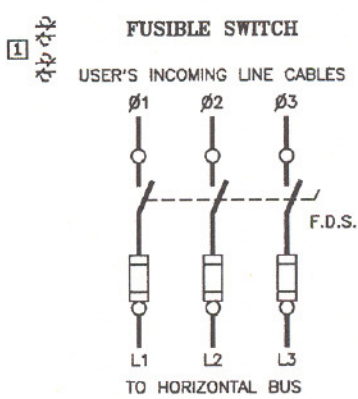




# CENTERLINE® MOTOR CONTROL CENTERS

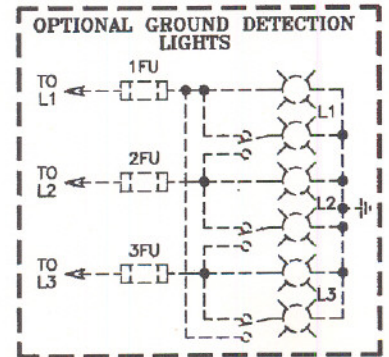
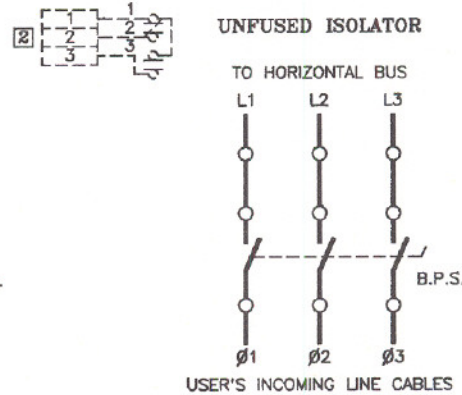
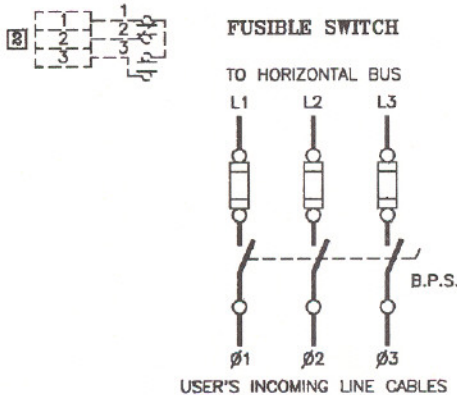
## Bulletin 2192M • 3-Pole Main Disconnect Switches



TOP OR BOTTOM MOUNTED MAINS:  
30A, 60A, 100A, 200A, 400A

TOP MOUNTED MAINS ONLY: 600A, 800A, 1200A

**WARNING**  
 INCOMING SUPPLY CONNECTED  
 TO BOTTOM OF SWITCH  
 DE-ENERGIZE REMOTE SUPPLY  
 BEFORE SERVICING UNIT  
 DROPPED TOOLS MAY SHORT  
 LINE TERMINALS



BOTTOM MOUNTED MAINS ONLY: 600A, 800A, 1200A

### ALLEN-BRADLEY REFERENCES

#### GENERAL NOTES

- 1 N.O. or N.C. auxiliary contacts as specified (unwired) for 30A thru 400A switches.
- 2 N.O./N.C. (form C) auxiliary contact as specified (wired to terminal blocks) for 600A thru 1200A switches.

Customer \_\_\_\_\_

User \_\_\_\_\_

C.O. Number \_\_\_\_\_

A-B Order Number \_\_\_\_\_