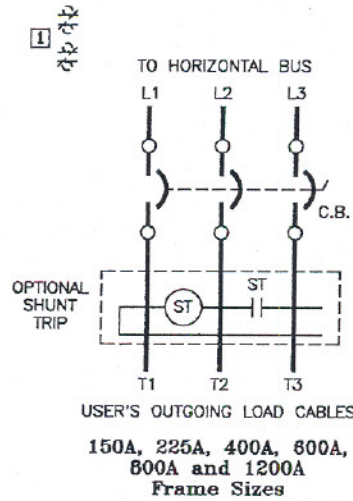




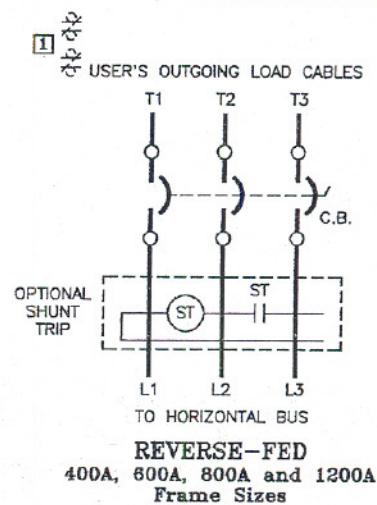
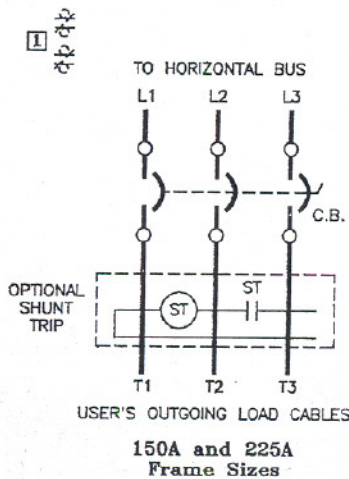
CENTERLINE® MOTOR CONTROL CENTERS

Bulletin 2193F • 3-Pole Feeder Circuit Breakers

FEEDER CIRCUIT BREAKER MOUNTED IN BOTTOM OF VERTICAL SECTION
FOR BOTTOM EXIT OF USER'S OUTGOING LOAD CABLES



FEEDER CIRCUIT BREAKER MOUNTED IN TOP OF VERTICAL SECTION
FOR TOP EXIT OF USER'S OUTGOING LOAD CABLES



ALLEN-BRADLEY REFERENCES

GENERAL NOTES

- 1 N.O. or N.C. auxiliary contacts as specified. (Unwired). Not available on units with Tri-Pac circuit breakers.

⚠ DANGER

ON REVERSE-FED FEEDER CIRCUIT BREAKERS, THE LINE SUPPLY IS CONNECTED TO THE BOTTOM OF CIRCUIT BREAKER. DE-ENERGIZE SUPPLY TO MAIN BUS BEFORE SERVICING UNIT. DROPPED TOOLS MAY SHORT LINE TERMINALS EVEN WITH CIRCUIT BREAKER OFF.

Customer	_____
User	_____
C.O. Number	_____
A-B Order Number	_____