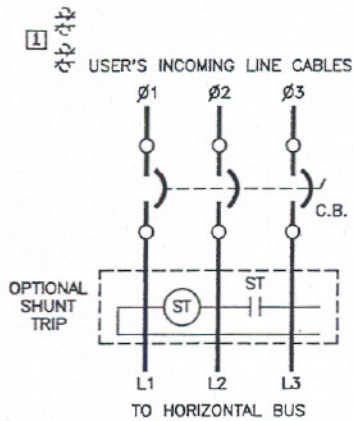




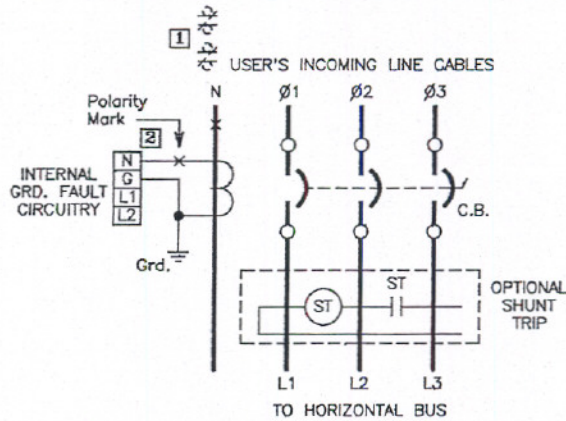
# CENTERLINE® MOTOR CONTROL CENTERS

## Bulletin 2193M • 3-Pole Main Circuit Breakers

### MAIN CIRCUIT BREAKER MOUNTED IN TOP OF VERTICAL SECTION FOR TOP ENTRY OF USER'S INCOMING LINE CABLES

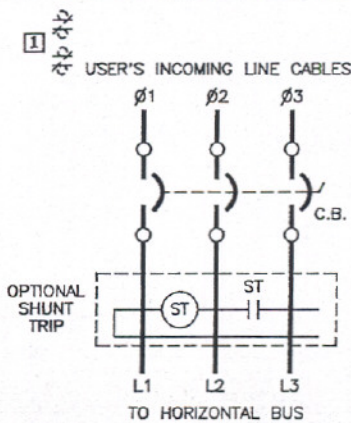


150A, 225A, 400A, 600A,  
800A, 1200A and 2000A  
Frame Sizes

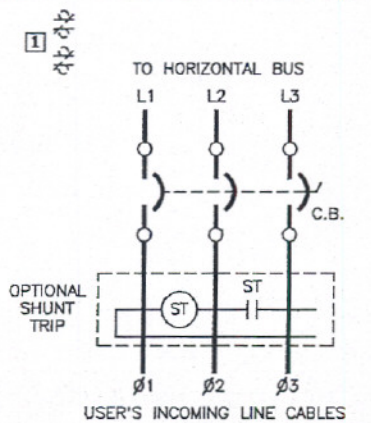


1200A and 2000A Frame  
Sizes with Internal  
Ground Fault Protection

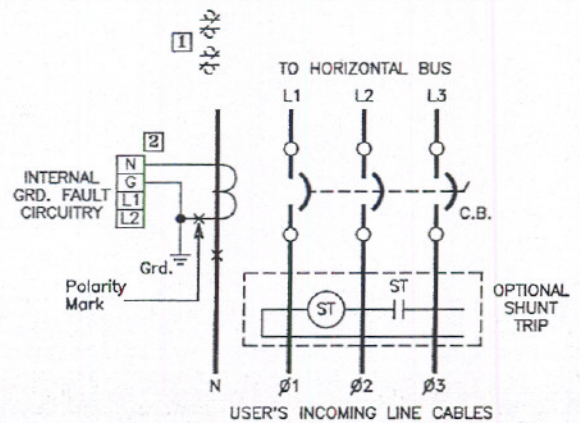
### MAIN CIRCUIT BREAKER MOUNTED IN BOTTOM OF VERTICAL SECTION FOR BOTTOM ENTRY OF USER'S INCOMING LINE CABLES



150A and 225A  
Frame Sizes



REVERSE-FED  
400A, 600A, 800A, 1200A and  
2000A Frame Sizes



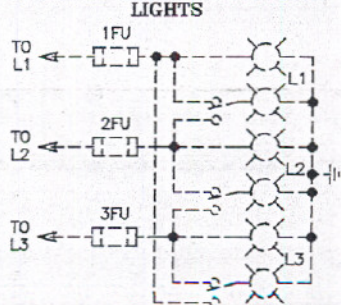
REVERSE-FED  
1200A and 2000A Frame  
Sizes with Internal  
Ground Fault Protection

#### ALLEN-BRADLEY REFERENCES

##### GENERAL NOTES

- 1 N.O. or N.C. auxiliary contacts as specified. (Unwired). Not available on units with Tri-Pac circuit breakers.
- 2 Connections "N" and "G" are for use with user installed neutral current transformer furnished by Allen-Bradley for use on 3 phase, 4-wire systems. Connections "L1" and "L2" are for use with optional remote ground fault trip indicator. The connection points are supplied on all selfronic breakers with built in ground fault protection. Refer to circuit breaker manufacturer's product literature supplied.

#### OPTIONAL GROUND DETECTION LIGHTS



#### ⚠ DANGER

ON REVERSE-FED MAIN CIRCUIT BREAKERS, THE INCOMING SUPPLY IS CONNECTED TO THE BOTTOM OF CIRCUIT BREAKER. DE-ENERGIZE REMOTE SUPPLY TO CIRCUIT BREAKER BEFORE SERVICING UNIT. DROPPED TOOLS MAY SHORT LINE TERMINALS EVEN WITH CIRCUIT BREAKER OFF.

Customer \_\_\_\_\_  
User \_\_\_\_\_  
C.O. Number \_\_\_\_\_  
A-B Order Number \_\_\_\_\_