



# CENTERLINE<sup>®</sup> MOTOR CONTROL CENTERS

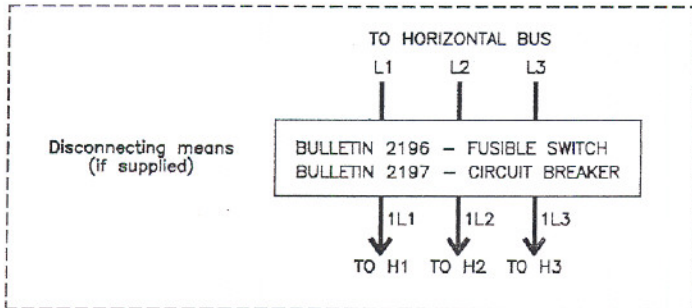
## Bulletins 2195, 2196 & 2197 • 3-Phase Transformers

- BULLETIN 2195 - TRANSFORMER WITHOUT DISCONNECTING MEANS
- BULLETIN 2196 - TRANSFORMER WITH FUSIBLE DISCONNECT SWITCH
- BULLETIN 2197 - TRANSFORMER WITH CIRCUIT BREAKER

**ALLEN-BRADLEY REFERENCES**

**GENERAL NOTES**

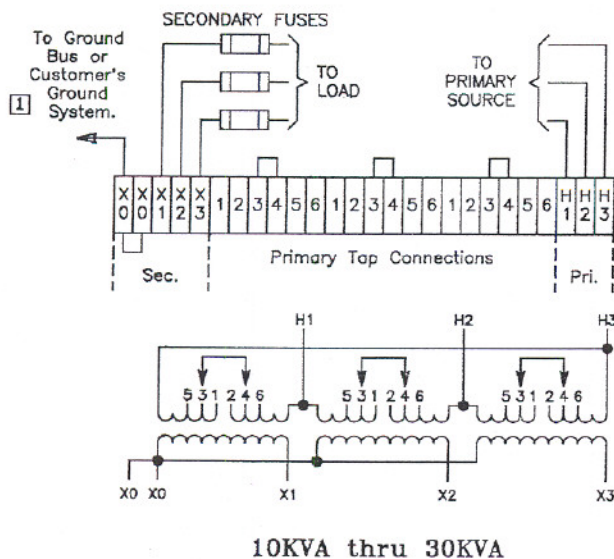
1 Transformer is factory grounded to horizontal ground bus. Customer must ground transformer if horizontal ground bus is not present in motor control center.



Primary Connection

Tap Connection	480 Volts	600 Volts
1-2	504	630
2-3	492	615
3-4	480	600
4-5	468	585
5-6	456	570

With (2) 2 1/2% Taps F.C.A.N. and (2) 2 1/2% Taps F.C.B.N.



Customer \_\_\_\_\_

User \_\_\_\_\_

C.O. Number \_\_\_\_\_

A-B Order Number \_\_\_\_\_