



RGU™ Auxiliary Power Supply Replacement

Contents

This document shows how to remove and replace the auxiliary power supply in a Regenerative DC Bus Supply Unit (RGU).

What This Kit Contains

Using the table below, verify that you have received the appropriate items in your kit:

For this part:	You should receive this quantity:
power supply	1

Other Items Needed

Before you begin, be sure you also have the following:

- Tools you will need for:
 - Measuring voltages
 - Removing, loosening, and tightening terminal screws
- Documentation:
 - Your drive system schematics
 - Publication 2364F-5.01, *Regenerative DC Bus Supply Unit (RGU)– User Manual*

Safety Precautions

The following general precautions apply when servicing an RGU or a drive system lineup:



ATTENTION: Only those familiar with the drive system, the products used in the system, and the associated machinery should plan or implement the installation, startup, and future maintenance of the system. Failure to comply can result in personal injury and/or equipment damage.

ATTENTION: Verify that all sources of AC and DC power are deenergized and locked out or tagged out in accordance with the requirements of ANSI/NFPA 70E, Part II.

ATTENTION: The system may contain stored energy devices. To avoid the hazard of electrical shock, verify that all voltage on capacitors has been discharged before attempting to service, repair, or remove a drive system or its components. You should only attempt the procedures in this manual if you are qualified to do so and are familiar with solid-state control equipment and the safety procedures in publication NFPA 70E.

ATTENTION: When servicing any unit, do not drop any nuts, bolts, washers, etc. inside the unit, as they may cause a short circuit on power up.

ATTENTION: This drive system contains ESD (Electrostatic Discharge) sensitive parts and assemblies. Static control precautions are required when installing, testing, or repairing this assembly. Component damage can result if ESD control procedures are not followed. If you are not familiar with static control procedures, refer to Allen-Bradley publication 8000-4.5.2, *Guarding Against Electrostatic Damage* or any other applicable ESD protection handbook.

Special Instructions

Important: You will need to reuse parts that are removed from the unit. Place parts, in the order removed, on a clean surface.

Preliminary Steps

Before replacing the power supply, shut off the power; lockout/tagout the unit; and wait five minutes for all voltage to discharge. Open the bay door to the power structure.

Replacing the Power Supply

1. Using a meter, test the voltage across the AC line, across the DC bus, and across the terminals on the power supply.

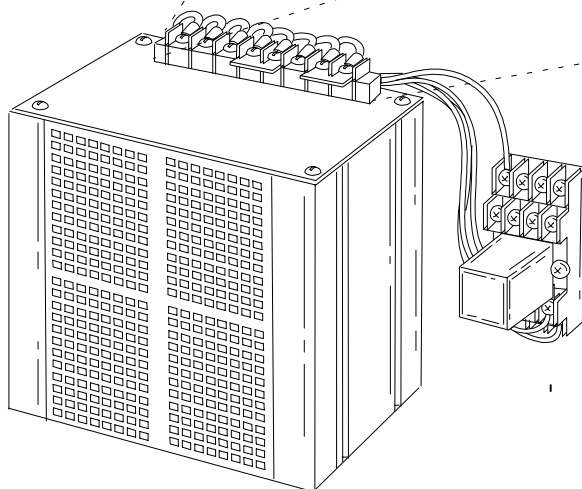
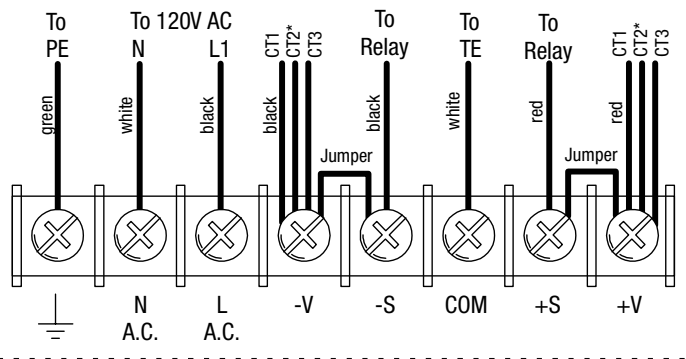


ATTENTION: If there is any voltage present, remove the source of the voltage. Check for voltages again before proceeding to the next step.

2. Disconnect the wires from the power supply terminals.
3. Remove the four mounting screws from the rear of the power supply and lift off the power supply.
4. Secure the new power supply with the four mounting screws.
5. Connect the wires to the power supply terminals, as shown in Figure 1.

Figure 1
Power Supply Connections

**Note: Series A RGUs do not include the CT2 current transducer or its associated wiring.*



Note: Relay is not included with this kit. To order a new relay, see the relay nameplate and refer to A-B publication A111.

Concluding Steps

After installing the new auxiliary power supply, verify all connections; check the unit for any tools or debris; and close the bay door. Discard the damaged power supply according to your company procedures and local ordinances.

***Note:** The connected current transducers have an input rating of 15V DC. If necessary, the output of the power supply (+V and -V) can be calibrated to 15V DC using the voltage adjuster located inside the top of the power supply.*

Reach us now at www.rockwellautomation.com

Wherever you need us, Rockwell Automation brings together leading brands in industrial automation including Allen-Bradley controls, Reliance Electric power transmission products, Dodge mechanical power transmission components, and Rockwell Software. Rockwell Automation's unique, flexible approach to helping customers achieve a competitive advantage is supported by thousands of authorized partners, distributors and system integrators around the world.

Americas Headquarters, 1201 South Second Street, Milwaukee, WI 53204, USA, Tel: (1) 414 382-2000, Fax: (1) 414 382-4444

European Headquarters SA/NV, avenue Herrmann Debroux, 46, 1160 Brussels, Belgium, Tel: (32) 2 663 06 00, Fax: (32) 2 663 06 40

Asia Pacific Headquarters, 27/F Citicorp Centre, 18 Whitfield Road, Causeway Bay, Hong Kong, Tel: (852) 2887 4788, Fax: (852) 2508 1846

Publication 2364F-5.23 March 1999

Supersedes Publication 2364F-5.23 - November 1998



Rockwell Automation

PN 192649

Copyright 1999 of Rockwell International Corporation. Printed in the USA