



# BULLETIN 595-A02 OR 595-B02 AUXILIARY CONTACT KIT INSTALLATION INSTRUCTIONS

## For Use On Bulletin 592 Sizes 0, 1 & 2 Overload Relays

**WARNING: DISCONNECT ALL ELECTRICAL POWER TO CONTROLLER (MAIN AND CONTROL)**

The Auxiliary Contact Kit consists of a contact assembly and mounting screw.

1. To remove circuit tester, insert screwdriver into slot in circuit tester (figure 1) and depress retainer arm. Pry or slide circuit tester out of relay housing.
2. Slide contact assembly into the overcurrent relay (Figure 2) and secure using screw provided. (#4-24 x 3/4" self tap type AB) (Torque 7lb-in).

(SIZE 1 STARTER  
VERSION SHOWN)

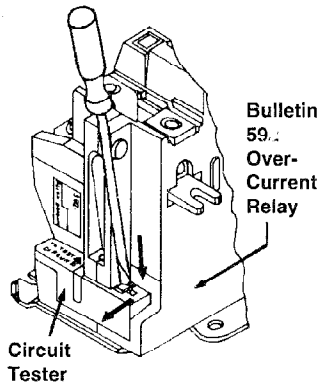


FIGURE 1

(SIZE 1 STARTER  
VERSION SHOWN)

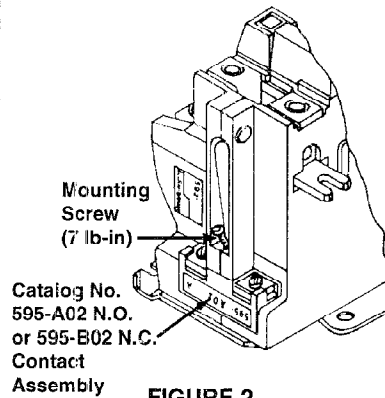


FIGURE 2

40050-505-01(B)  
Printed in U.S.A.



**ALLEN-BRADLEY**  
A ROCKWELL INTERNATIONAL COMPANY

-01	B	1 SIDE PRINTED BODY STOCK WHITE BODY INK BLACK	3-1/2"W X 4"H	1-3/4"W X 2"H
PART NO.	CHG. LTR.	MATERIAL	FLAT SIZE	FOLDED SIZE
REFERENCE		BULLETIN 595 N.O. OR N.C. AUXILIARY CONTACT KIT USED ON OVERCURRENT RELAY SIZES 0, 1 & 2 INSTRUCTION SHEET		MAC DOCUMENT
REVISION AUTHORIZATION		DIMENSIONS APPLY BEFORE SURFACE TREATMENT (DIMENSIONS IN INCHES) TOLERANCES UNLESS OTHERWISE SPECIFIED	THIS DRAWING IS THE PROPERTY OF THE ALLEN-BRADLEY CO. INC. AND MAY NOT BE COPIED, USED OR DISCLOSED FOR ANY PURPOSE EXCEPT AS AUTHORIZED IN WRITING BY THE ALLEN-BRADLEY CO. INC.	
2	1913-93	.XX: ± NA	LOCATION: MILWAUKEE, WISCONSIN U.S.A.	
		XXX: ± NA	DR. D. EVANS	DATE 11-24-93
		ANGLES: ± NA	CHKD. <i>M.A. [Signature]</i>	DATE 11/29/93
40050			APPD. <i>C.E. [Signature]</i>	DATE 11/29/93
			DWG. SIZE B	SHEET 1 OF 1
			40050-505	