

COPY A

INSTALLATION INSTRUCTIONS FOR TIMER AND ADAPTER ASSEMBLY
 CATALOG NUMBERS 596-TL32, 596-TL33, 596-TR32, 596-TR33

COPY B

To Install the Adapter, the Controller Must Be in the Off Position.

1. Remove arc hood cover. (Sizes 0, 1 and 2 only).
2. Insert the tabs of the Adapter into the coil cover (the Timer must be on the Adapter).
3. Pivot the Adapter in, to snap in place.

Installation Instructions for Load Balancer (for Sizes 0, 1 & 2 only).

NOTE: Load balancer must be installed opposite the Timer. Load balancers are not necessary on Size 3, 4 and 5 controllers.

1. Remove arc hood cover.
2. Select proper load balancer. (Size marked on side load balancer housing).

3. Insert the hooks of the load balancer into the grooves on the top of the arc hood.
4. Pivot the load balancer in against the arc hood to snap in place.
5. Replace arc hood cover.

To remove Adapter, loosen coil cover screws.


Restrictions in Applying the Bulletin 596 Timer:

1. All Sizes - No power pole adder can be used on the same side as the Timer.
2. Size 0 & 1 - A power pole may be used on the opposite side to balance the Timer instead of the load balancer.
3. Size 2 - The use of a heavy duty coil (coil number ending with letter C) is required. A power pole may be substituted for the load balancer (mounted opposite of the Timer).

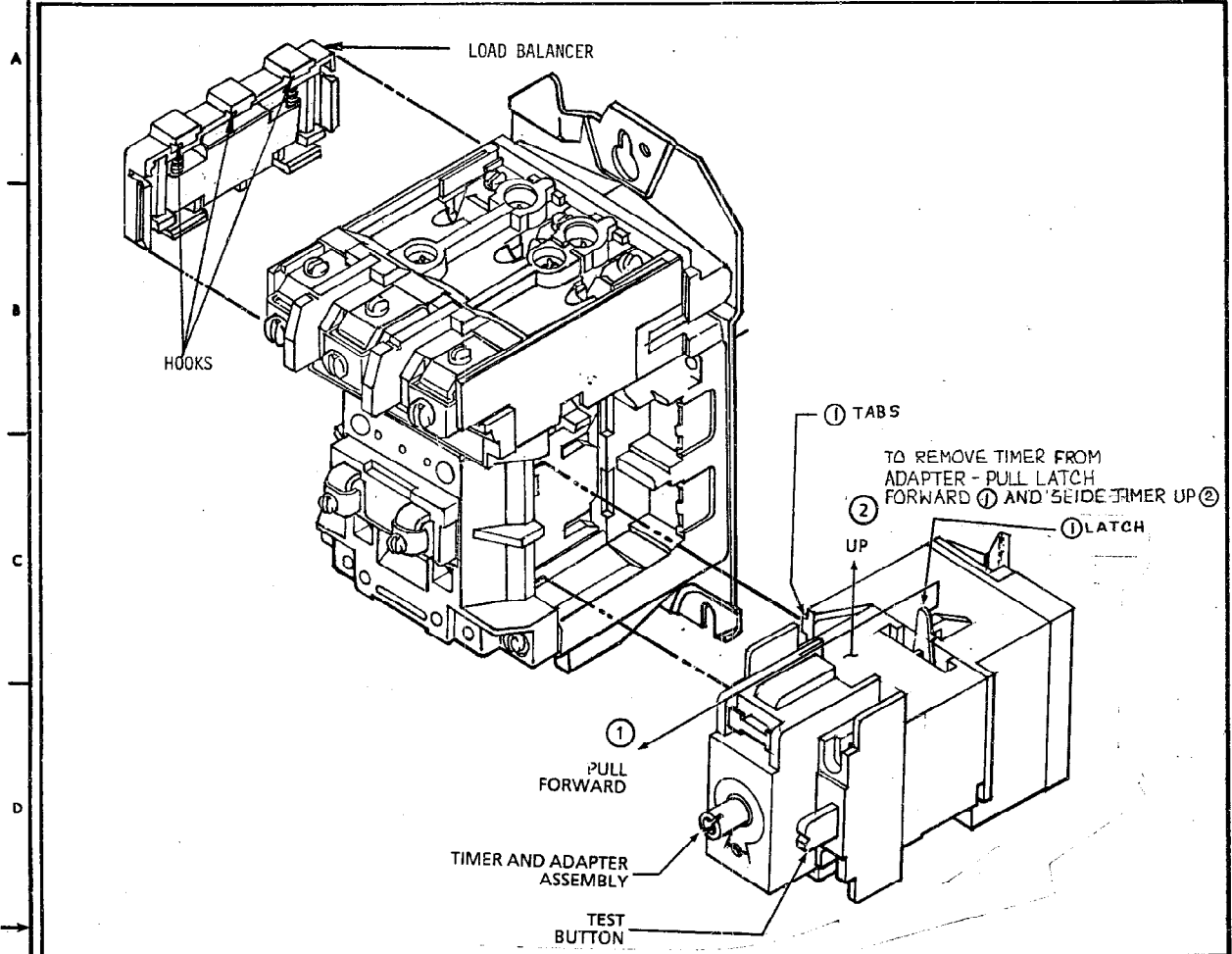
COPY C

To Set Time Delay

1. Adjust to time setting desired, using red dot for approximate setting. Full traverse of the red time - setting indicator, requires about 6 revolutions of the knob. Do not turn knob to move red indicator beyond end limits of scale.
2. Verify actual timing.
 - On-Delay: Push in and hold test button.
 - Off-Delay: Push in and release test button.
 Adjust if necessary.

REFERENCES		INSTALLATION INSTRUCTIONS FOR TIMER AND ADAPTER		WAS	
REVISION	DIMENSIONS APPLY BEFORE SURFACE TREATMENT	ASSEMBLY CAT. NO'S 596-TL32, 596-TL33,		 ALLEN-BRADLEY MILWAUKEE WISCONSIN	
RELEASE	(DIMENSIONS IN INCHES) TOLERANCES UNLESS OTHERWISE SPECIFIED	596-TR32, & 596-TR33,			
9 5096-85	2 PLACE DECIMAL (XX)	CONTENTS FOR INSTRUCTION SHEET.		SHEET 1 OF 2	
10 5014-86	±	DR. <i>Kathy Post</i>	DATE 5-6-82	DWG. SIZE B 40051-122	
	3 PLACE DECIMAL (XXX)	CHKD. <i>Shirley Hubanks</i>	DATE 5-7-82		
REFER. BOOK 40051	±	APPD. <i>M. Johnson</i>	DATE 5-7-82		
	ANGLES ±				

COPY D

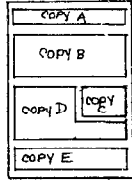


COPY E

AB ALLEN-BRADLEY
 Milwaukee, Wisconsin
 53201-2006
 40051-122-01 (H)
 PRINTED IN USA

DO NOT WRITE IN THIS AREA

COPY LAYOUT



-01	H	1 Side Printed Body Stock White Body Ink Black	8-1/2"W x 10-1/2"H (FIAT) 4-1/4"W x 2-9/8"H (HOLDER)
PART NO.	CHG. LTR.	MATERIAL	FINISHED SIZE

REFERENCES		INSTALLATION INSTRUCTIONS FOR TIMER AND ADAPTER ASSEMBLY, CONTENTS FOR INSTRUCTION SHEET.	
REVISION	DIMENSIONS APPLY BEFORE SURFACE TREATMENT	DR.	DATE
RELEASE	(DIMENSIONS IN INCHES) TOLERANCES UNLESS OTHERWISE SPECIFIED	CHKD.	DATE
9 5096-85	2 PLACE DECIMAL (.XX) ±	APPD.	DATE
10 5014-86	3 PLACE DECIMAL (.XXX) ±		
REFER. BOOK	ANGLES ±		
40051			

AB ALLEN-BRADLEY
 MILWAUKEE, WISCONSIN

SHEET 2 OF 2
 DWG. SIZE B 40051-122