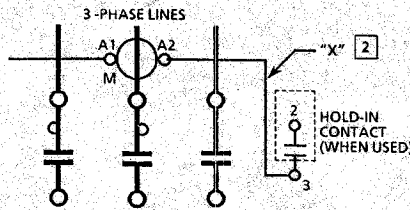
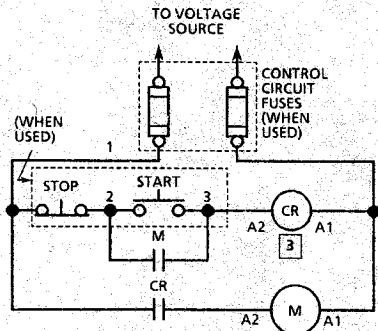


**BULLETIN 500 AC CONTACTOR AND BULLETIN 500L AC LIGHTING CONTACTOR, 3-POLE
 SIZE 6, NEMA TYPE _____, CATALOG NO. _____, SERIES _____**

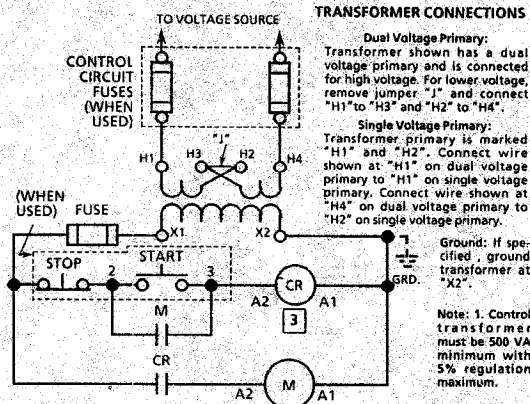
WIRING DIAGRAM



CONTROL CIRCUIT SCHEMATIC FOR SEPARATE CONTROL WITH INTERPOSING RELAY



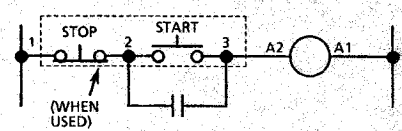
CONTROL CIRCUIT SCHEMATIC WITH CONTROL TRANSFORMER AND INTERPOSING RELAY



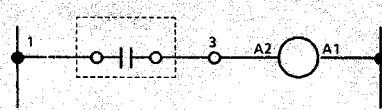
- NOTES:**
- Remove wire "X" shown on wiring diagram when using interposing relay.
 - For information on interposing relay see Renewal Parts Publication or contact Allen-Bradley Sales Office.
 - Additional control circuit overcurrent protection may be required. Refer to the National Electrical Code.
- The current rating of the control circuit conductors furnished with this device is 20 amperes.

Maintain this equipment in accordance with guidelines of NFPA-70B, Electrical Equipment Maintenance.

3-WIRE CONTROL REMOTE MOMENTARY CONTACT PUSH BUTTON STATION



REMOTE 2-WIRE CONTROL DEVICE



RENEWAL PARTS LIST

- Normally Open Auxiliary Contact (Hold - In when provided) Catalog No. 195-GA10
 Single Pole Contact Kit (For all Power Poles) Part No. 40786-801-02
 Operating Coil (Specify Number and Rating on Coil Label)
- When ordering specify Catalog Number and Series Letter of the Device.

40052-083-01 (a)
 Printed in U.S.A.



DO NOT WRITE IN THIS AREA

REFERENCES		DIMENSIONS APPLY BEFORE SURFACE TREATMENT		OPEN TYPE BULLETIN 500 & 500L, SIZE 6, AC CONTACTOR		WAS	
REVISION	RELEASE	(DIMENSIONS IN INCHES) TOLERANCES UNLESS OTHERWISE SPECIFIED		CONTENTS FOR WIRING DIAGRAM AND RENEWAL PARTS LIST.		ALLEN-BRADLEY MILWAUKEE, WISCONSIN	
1	130-87-1	2 PLACE DECIMAL (XX) ±		DR. <i>cl. Gajewski</i>	DATE 7-1-87	SHEET 1 OF 1	
2	2073-91	3 PLACE DECIMAL (XXX) ±		CHKD. <i>M.A. Duff</i>	DATE 7/8/87	Part No. 40052-083	
REFER. BOOK	40052	ANGLES ±		APPD. <i>R.P. [Signature]</i>	DATE 7-7-87	C	

THIS DRAWING IS THE PROPERTY OF THE ALLEN-BRADLEY CO. INC. AND MAY NOT BE COPIED, USED OR REPRODUCED IN ANY MANNER WITHOUT THE WRITTEN PERMISSION OF THE ALLEN-BRADLEY CO. INC.

-01	B	Ludlow-Prime Line #60 White Matte Litho or Approved Equiv. Body Stock White Body Ink Black	7 1/8" W x 11" H
Part No.	Chg. Ltr.	Material	Finished Size