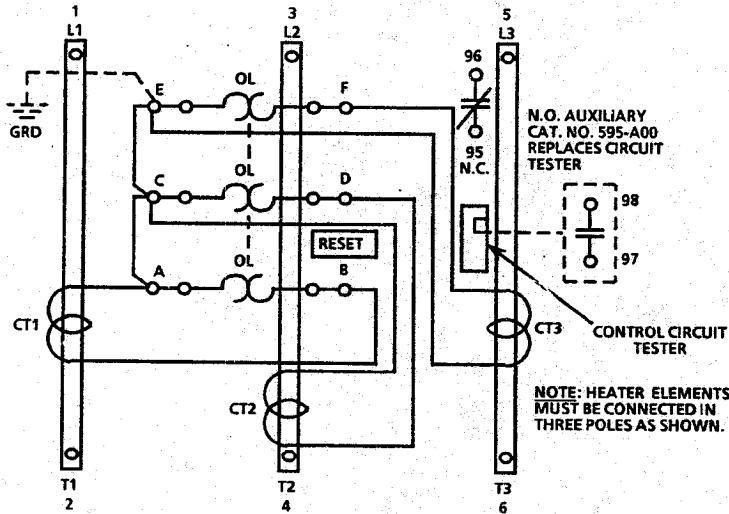


WIRING DIAGRAM



RELAY NO.	AVAILABLE OPTIONAL LUG KIT NUMBER	WIRE CONNECTOR SCREW TIGHTENING TORQUE	WIRE CONNECTOR MOUNTING SCREW TIGHTENING TORQUE
592-TPD200	199-LF1	275 LB.IN.	240 LB.IN.
592-TPD300	199-LG1	375 LB.IN.	375 LB.IN.
592-TPD480	199-LH1	275 LB.IN.	375 LB.IN.
592-TPD630	199-LJ1	275 LB.IN.	375 LB.IN.

40053-082-01(C)  
Printed in U.S.A.

**AB ALLEN-BRADLEY**  
A Rockwell International Company

-01	C	Chembak No. CB040 or Approved Equiv. Body Stock White Body Ink Black	4 1/4" W x 5 1/2" H
Part No.	Chg. Ltr.	Material	Finished Size

**NOTICE**  
ARTWORK (KEYLINE) WAS COMPLETED ON THE "XEROX 8010"  
NOTIFY DEVELOPMENT DRAFTING OF ALL CHANGES AND/OR ADDITIONS.

**DO NOT WRITE IN THIS AREA**

REFERENCES		WIRING DIAGRAM FOR BULLETIN 592 3 PHASE		WAS			
REVISION		(EUTECTIC 200/5 400/5 600/5)		<b>ALLEN-BRADLEY</b> MILWAUKEE, WISCONSIN			
RELEASE							
1	127-86-1	DIMENSIONS APPLY BEFORE SURFACE TREATMENT (DIMENSIONS IN INCHES) TOLERANCES UNLESS OTHERWISE SPECIFIED 2 PLACE DECIMAL (XXX) ± 3 PLACE DECIMAL (XXX) ± ANGLES ±		SHEET 1 OF 1			
2	5027-87			DR. <i>J. Gajowski</i>		DATE 7/1/86	
3	1880-87			CHKD. <i>M.A. Juty</i>		DATE 7-2-86	
REFER. BOOK	40053	APPD. <i>R. Wate</i>		DATE 7-18-86			
				DWG. SIZE <b>B 40053-082</b>			