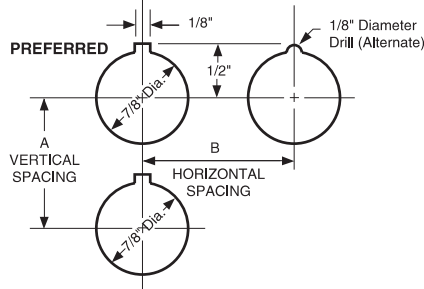


**BULLETIN 800MR MOUNTING INSTRUCTIONS  
PILOT LIGHT AND PUSH-TO-TEST UNITS**

- Step 1. Remove the mounting ring from the bushing.
- Step 2. Select the proper combination of gaskets for the panel thickness from Table 1 below, and install them on the bushing.
- Step 3. Insert the bushing through the panel from the rear. The surface marked "top" should be in line with the anti-turn notch in the panel.
- Step 4. Install the legend plate (or positioning ring) on the bushing, in line with the anti-turn notch in the panel.
- Step 5. Turn the mounting ring onto the bushing until it stops, to compress the gaskets, and secure the unit on the panel.

**Note:** To remove the entire unit from the panel, reverse Steps 4 and 5.

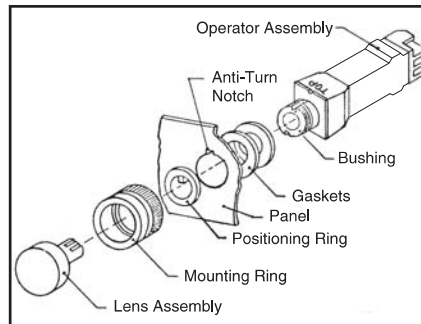
**PANEL MOUNTING PLAN**



Type of Unit	A Min.	B Min.
All Bulletin 800MS, Bulletin 800MR Standard Legend Plate	1-1/4"	1-1/4"
Bulletin 800MR Large Legend Plate	1-1/2"	1-1/4"

**BULB REPLACEMENT INSTRUCTIONS**

1. Remove the lens assembly by grasping the lens cap firmly with a pair of pliers and pull the assembly straight out of the bushing.
2. Remove the bulb by pushing and turning it counterclockwise using the small end of the bulb remover (Allen-Bradley Catalog Number 800T-N82), and insert a new bulb using the same action in the clockwise direction.
3. Snap the lens assembly back into the bushing.



**Table 1 Number of Gaskets Required**

Panel	.067" Gasket (Black)	.034" Gasket (Red)
1/16"	3	Plus 2
3/32"	3	Plus 1
1/8"	3	Plus 0
5/32"	2	Plus 1
3/16"	2	Plus 0
7/32"	1	Plus 1
1/4"	1	Plus 0

For intermediate panel thickness, use the combination specified for the smaller panel listed above. Panels thicker than 1/4" must be counterbored 2" minimum diameter to 1/4".

### BULLETIN 800MS MOUNTING INSTRUCTIONS PILOT LIGHT AND PUSH-TO-TEST UNITS

- Step 1. Remove the lens assembly (or legend support) by inserting a screwdriver between the assembly and the bezel and gently pry the assembly out.
- Step 2. If the two cam fasteners inside the bezel are locked, turn them to their unlocked positions (sloping surfaces facing each other and slots in line). Pull the bezel off the unit.
- Step 3. Select the proper number of gaskets for the panel thickness and install them on the bushing. **Note:** Use **only** the combination of gaskets specified in Table 1 on the opposite side.
- Step 4. Insert the bushing through the panel, and snap the bezel on the bushing. The switch surface marked "top", the locator tab on the rear surface of the bezel and the anti-turn notch in the panel must be in line.
- Step 5. Fasten the unit on the panel by turning the two cam fasteners 180° to their locked positions.



**ATTENTION:** This step **must** be completed to securely fasten the unit on the panel, and to compress the gaskets behind the panel.

- Step 6. Assemble the legend plate and lens by pushing the lens through the hole in the legend plate from the rear. Then slide the legend support into the slots in the legend plate from the side, so that the plate is centered on the support.
- Step 7. Snap the lens assembly into the bushing in the proper orientation. **Note:** See Step 1 for lens assembly removal, if required.
- Step 8. Check for proper installation by pushing on the lens assembly.

If the unit is pushed out of the bezel, or is loose on the panel, check for the proper combination of gaskets (Step 3), and the proper cam fastener engagement (Step 5).

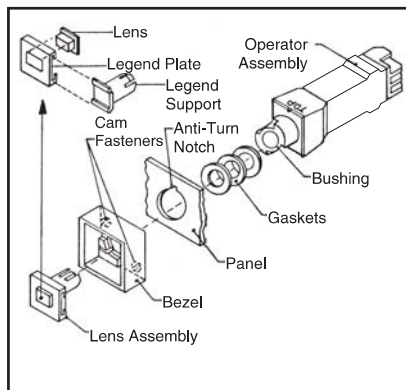
Push-To-Test Units: If the lens assembly does not return freely, check for the proper combination of gaskets (Step 3).

**Note:** To remove the entire unit from panel, reverse Steps 4, 5 and 7.

40060-008-01 (A)  
Printed in U.S.A.

### BULB REPLACEMENT INSTRUCTIONS

1. Remove the lens assembly as described in Step 1.
2. Remove the bulb by pushing and turning it counterclockwise using the small end of the bulb remover (Allen-Bradley Catalog Number 800T-N82), and insert a new bulb using the same action in the clockwise direction.
3. Snap the lens assembly back into the bushing.



**Rockwell  
Automation**