

COPY A

INSTALLATION AND MOUNTING INSTRUCTIONS
BULLETIN 800T SMALL PILOT LIGHT DEVICES

COPY C

WARNING: TO PREVENT INJURY, THIS DEVICE MUST BE DISCONNECTED FROM ALL POWER SOURCES PRIOR TO INITIATING WORK.

CAUTION: WHEN INSTALLING IN A METAL ENCLOSURE, MAINTAIN 1/2" MINIMUM CLEARANCE BETWEEN THE EXPOSED METAL OF THE TERMINAL ASSEMBLIES AND THE ENCLOSURE.

NOTE:
THIS DEVICE IS SUPPLIED WITH AN INSULATION BOOT WHICH INSULATES THE METALLIC PANEL MOUNTING BUSHING AND FULFILLS CSA GROUNDING REQUIREMENTS.

THIS DEVICE IS DESIGNED FOR MOUNTING IN PANELS 1/16" (1.6) TO 5/32" (4.0) THICK. WHERE PANEL THICKNESS EXCEEDS 5/32" (4.0) COUNTERBORE 1-9/16" (39.7) DIAMETER MINIMUM TO 5/32" (4.0) THICKNESS.

INSTALLATION - REFER TO FIGURE 1

1. PLACE THE UNIT (LESS MOUNTING RING, THRUST WASHER AND TRIM WASHER) IN THE MOUNTING HOLE. REFER TO FIGURE 2 FOR MOUNTING HOLE DIMENSIONS. MAKE SURE THERE IS AN INSULATION BOOT BETWEEN THE MOUNTING BUSHING AND PANEL.
2. INSTALL LEGEND PLATE. (IF LEGEND PLATE IS NOT USED, INSTALL TRIM WASHER).
3. INSTALL THRUST WASHER. (THE TANG ON THE THRUST WASHER MUST BE ALIGNED WITH THE NOTCHES OF THE LEGEND PLATE OR TRIM WASHER, PANEL AND SLOTS ON THE MOUNTING BUSHING).
4. INSTALL MOUNTING RING AND TIGHTEN SECURELY.
5. INSTALL LENS, IF NOT ATTACHED, AND TIGHTEN SECURELY.

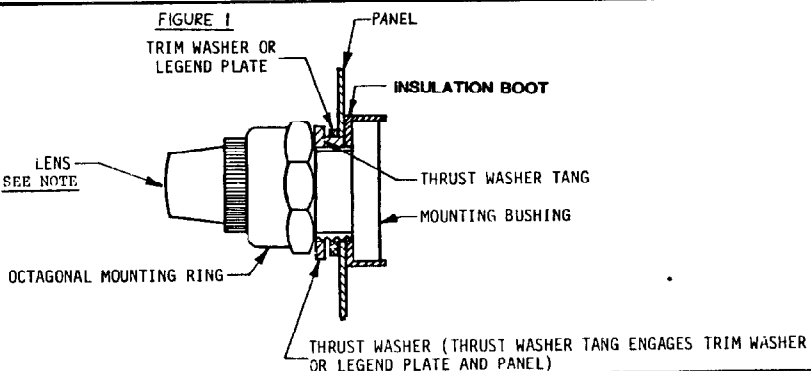
REPLACING LAMP

1. REMOVE LENS.
2. PUSH LAMP INWARD, TURN COUNTER-CLOCKWISE AND REMOVE.
3. REVERSE PROCEDURE TO INSTALL NEW LAMP. TIGHTEN LENS SECURELY.

COPY D

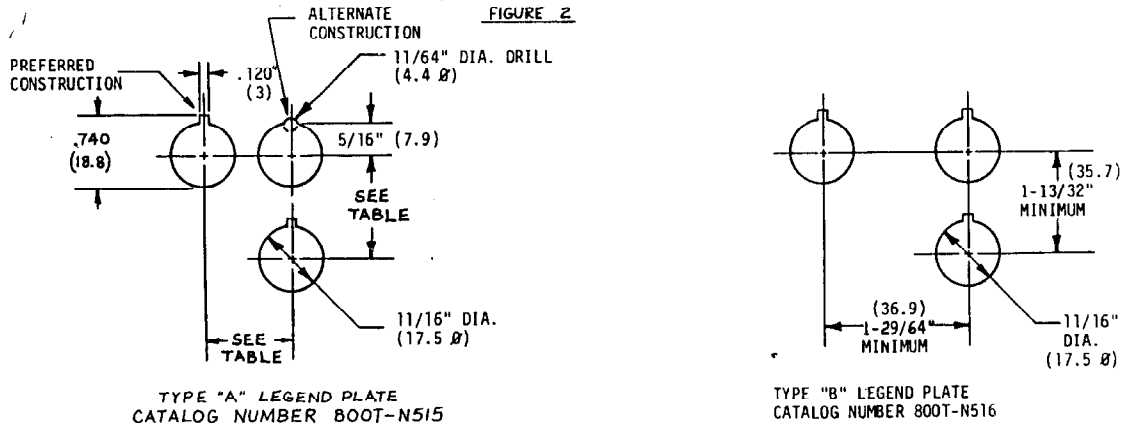
NOTE:

LENS MUST BE ASSEMBLED TO PILOT LIGHT FOR USE IN CLASS 1, DIVISION 2 HAZARDOUS LOCATIONS.



COPY E

MOUNTING HOLE DIMENSIONS



REFERENCES

| REVISION | RELEASE | DIMENSIONS APPLY BEFORE SURFACE TREATMENT (DIMENSIONS IN INCHES) TOLERANCES UNLESS OTHERWISE SPECIFIED |
|------------|---------|--|
| 5 | 5036-86 | 2 PLACE DECIMAL (XX) |
| 6 | 3247-98 | 3 PLACE DECIMAL (XXX) |
| 7 | 1780-99 | ANGLES ± |
| REFER BOOK | 40060 | |

INSTALLATION AND MOUNTING INSTRUCTIONS
BUL. 800T SMALL PILOT LIGHT DEVICES

DR. J. MIES

DATE 5-27-80

CHKD *J.D. [Signature]*

DATE 5-30-80

APPD. *[Signature]*

DATE 7-30-80

WAS



ALLEN-BRADLEY
MILWAUKEE, WISCONSIN

SHEET 1 OF 2

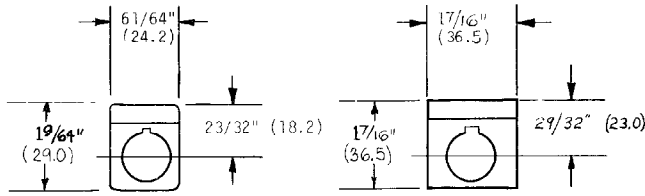
DWG. SIZE B

40060-242

05-25-99

COPY F

LEGEND PLATE FOR SMALL PILOT LIGHT



TYPE "A" LEGEND PLATE
CATALOG NUMBER 800T-N515

TYPE "B" LEGEND PLATE
CATALOG NUMBER 800T-N516

COPY E, CONT.

TYPE "A" LEGEND PLATE
CATALOG NUMBER 800T-N515

| DEVICE | SPACING | |
|--|------------------|-------------------|
| | HORIZONTAL | VERTICAL |
| 800T-PS, QS, RS, PST, QST, RST, PSD | 31/32 (24.6) | 1-5/32 (29.4) |
| 800T-PSDT | 1-3/64 (25.6) | 1-13/64 (30.5) |

COPY B

NON-PUSH TYPE PILOT LIGHTS ARE FOR USE ON A SMOOTH FLAT SURFACE OF A NEMA TYPE 4 OR 13 ENCLOSURE. PUSH-TO-TEST AND ILLUMINATED PUSH BUTTONS ARE FOR USE IN A NEMA TYPE 13 ENCLOSURE.

COPY G



ALLEN-BRADLEY
A ROCKWELL INTERNATIONAL
COMPANY

40060-242-01(E)
PRINTED IN USA

GENERAL NOTE:

- 1) ALL UNDERLINED WORDS TO BE IN BOLD FACE TYPE. ELIMINATE UNDERLINING FROM PRODUCTION PRINTS.
- 2) THE INSTRUCTIONS MUST HAVE THE FOLLOWING STATEMENT AT THE BOTTOM; DIMENSIONS SHOWN IN PARENTHESES ARE IN MILLIMETERS.

DO NOT WRITE IN THIS AREA

| | | | | |
|----------------|-----------|--|-------------------|-----------------------|
| -01 | E | FASSON NO. 401-078 OR APPROVED EQUIV. BODY STOCK WHITE 2 SIDES PRINTED INK BLACK | 4-1/4" W. x 6" H. | 4-1/4" W. x 1-1/2" H. |
| PART NO. | CHG. LTR. | MATERIAL | FLAT | FOLDED |
| FINISHED SIZES | | | | |

| | |
|--------|--------------|
| COPY A | COPY E CONT. |
| COPY B | COPY E |
| COPY C | |
| COPY D | COPY F |
| | COPY G |

REFERENCES

| REVISION | RELEASE | DIMENSIONS APPLY BEFORE SURFACE TREATMENT |
|-------------|---------|---|
| 5 | 5036-86 | DIMENSIONS IN INCHES TOLERANCES UNLESS OTHERWISE SPECIFIED |
| 6 | 3247-98 | |
| 7 | 1780-99 | |
| REFER. BOOK | 40060 | ANGLES ± |

INSTALLATION AND MOUNTING INSTRUCTIONS

BUL. 800T SMALL PILOT LIGHT DEVICES

WAS



ALLEN-BRADLEY
MILWAUKEE, WISCONSIN

DR. JIM MIES

DATE 5-22-80

SHEET 2 OF 2

CHKD. *JJM*

DATE 5-30-80

DWG. SIZE B

40060-242