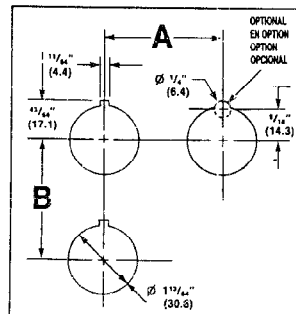
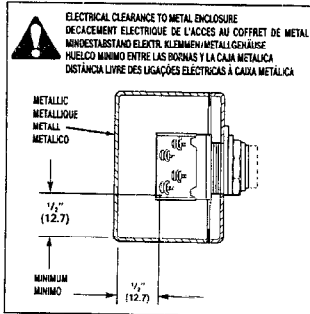


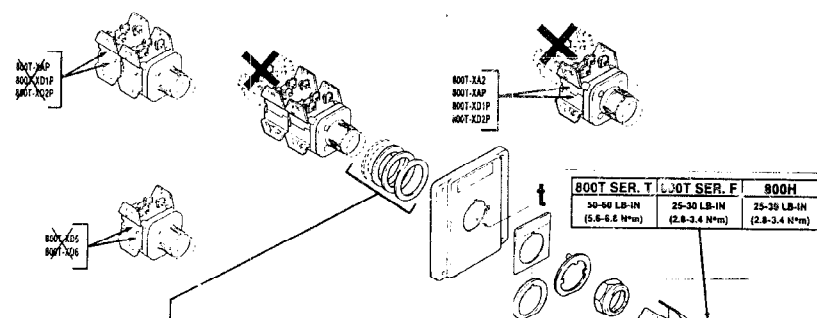
AB BULLETIN BULLETIN
800H/800T

PUSH BUTTON INSTALLATION AND MOUNTING INSTRUCTIONS
INSTRUCTIONS DE MONTAGE ET D'INSTALLATION DU BOUTON-POUSOIR
DRUCKTASTER, EINBAU- UND MONTAGEANLEITUNG
INSTRUCCIONES DE INSTALACION Y MONTAJE DE LOS PULSADORES
INSTRUÇÕES DE INSTALAÇÃO E MONTAGEM DO BOTÃO DE PRESSÃO

WARNING: Isolate before servicing. Install in suitable enclosure. Keep free from contaminants.
ATTENTION: Toujours couper toutes sources d'alimentation avant de commencer l'entretien. Installer dans une boîte appropriée. Protéger le relais contre les contaminants.
WARNING: Vor Wartungsarbeiten Anlage abschalten. Die Geräte müssen in einem passenden Gehäuse eingebaut und gegen Verschmutzung geschützt werden.
PRECAUCION: Desconecte antes de servirlo. Instálelo en una caja apropiada. Manténgalo libre de contaminantes.
CUIDADO: Desconectar antes de usar. Instalar em caixa apropriada. Mantenha livre de contaminantes.



	A	B
	2 1/4" (57.2)	1 3/4" (44.8)
	2 1/4" (57.2)	1 3/4" (44.8)
	2 1/4" (57.2)	2 1/2" (63.5)
	2 1/4" (57.2)	2 1/4" (63.5)



PANEL THICKNESS ÉPAISSEUR DE PANNEAU STÄRKE DER TAFEL GROSOR DEL PANEL ESPESSURA DO PANEL t	NUMBER OF GASKETS NOMBRE DE JORITS D'ÉTANCHÉITÉ ANZAHL DER DICHTUNGEN NÚMERO DE JUNTAS NÚMERO DE JUNTAS VEDANTES		
	800T SER. T	800T SER. F	800H
16 Gage - 1/8" (1.6)	3	5	5
12 Gage - 1/16" (2.8) 10 Gage - 1/16" (3.8)	2	4	4
1/4" (4.8)	1	3	3
1/2" (6.4)	1 (COUNTERBORE) 1 (1/2" (4.8))	2	2
> 1/2" (6.4)	—	1 (COUNTERBORE)	1 (COUNTERBORE)

APPLY WET SOAP TO BOOT UP BEFORE INSTALLING
APPLIQUEZ DU SAVON ÉMULSIONNÉ AU CAUCHOU AVANT
L'INSTALLATION
VOR DER INSTALLATION NASSE SEIFE AUF DICHTUNGSLIPPE
AUFTRAGEN
UNITE LA GUARNICIONE CON SABON HUMEDO ANTES DE INSTALARLA
COLOCAR UMA SOLUÇÃO DE SABÃO NA VEDAÇÃO ANTES DA
INSTALAÇÃO

40061-059-01(A)
Printed in U.S.A.

AB ALLEN-BRADLEY
A ROCKWELL INTERNATIONAL COMPANY

REFERENCE	BULLETIN 800H/800T PUSHBUTTON INSTALLATION AND MOUNTING INSTRUCTIONS		
REVISION AUTHORIZATION	DIMENSIONS APPLY BEFORE SURFACE TREATMENT		
1 642-89-1	(DIMENSIONS IN INCHES) TOLERANCES UNLESS OTHERWISE SPECIFIED		
	XX ±		
	XXX ±		
	ANGLES: ±		
		DR. GARY USHAKOW	DATE 7/11/89
		CHKD. H. Ushakov	DATE 7/19/89
		APPD. D. Drake	DATE 7/8/89
		DWG. SIZE	SHEET 1 OF 2
		B	40061-059
		LOCATION:	MILWAUKEE, WISCONSIN U.S.A.

DEVICE RATING PUISANCE NOMINALE DU DISPOSITIF BEMESSUNG DER VORRICHTUNG REGIMEN DEL DISPOSITIVO GRADUAÇÃO DO INSTRUMENTO	ENCLOSURE RATING VALEUR NOMINALE DU COFFRET GEHÄUSESCHUTZGRAD REGIMEN DE LA CAJA CAPACIDADE DO COMPARTIMENTO	STATION RATING VALEUR NOMINALE DE LA STATION STATIONSLEISTUNG REGIMEN DE ESTACION CAPACIDADE DA ESTAÇÃO	FLAT - SMOOTH SURFACE SURFACE PLATE ET LISSE FLACHE, EBENE OBERFLÄCHE SUPERFICIE LISA Y PLANA SUPERFICIE PLANA E LISA
800T UL LISTED: NEMA 4, 13 IP66	NEMA 1	NEMA 1	
	NEMA 4	NEMA 4	
	NEMA 4, 4X	NEMA 4	
	NEMA 13	NEMA 13	
	NEMA 4, 13	NEMA 4, 13	
	IP66	IP66	
800H UL LISTED: NEMA 4, 4X, 13 IP66	NEMA 4, IP66	NEMA 4, IP66	
	NEMA 13, IP66	NEMA 13, IP66	
	NEMA 1	NEMA 1	
	NEMA 4	NEMA 4	
	NEMA 4, 4X	NEMA 4, 4X	
	NEMA 13	NEMA 13	
NEMA 4, 13	NEMA 4, 13		
IP66	IP66		
NEMA 4X, IP66	NEMA 4X, IP66		
NEMA 13, IP66	NEMA 13, IP66		

ADDITIONAL CONTACT BLOCKS
 BLOCS DE CONTACTS SUPPLEMENTAIRES
 ZUSÄTZL. - THE KONTAKTBLÖCKE
 BLOQUES DE CONTACTOS COMPLEMENTARIOS
 BLOCOS ADICIONAIS DE CONTACTO

	SYMBOL SYMBOLE DE RENCLAGE SYMBOLO PLANILHA DE TELA QUANTO DE TELA	STANDARD BLOCK BLOC STANDARD STANDARDBLÖCK PROFUNDIDADE NORMAL BLOC PADRAO	MINI BLOCK BLOC MINI MINIBLOCK PEQUENA PROFUNDIDADE MINI BLOC	SEAL-SPRINT BLOCK BLOC A JAMES SCELLE HERMETISCHER KONTAKT CONTACTO PNEUMATICO BLOC HERMETICO SPRINT BLOCADOR	LOCK-KEY BLOCK BLOC A JAMES SCHEIDTSPERRELOCK 4 LOCK KEY LUBRIFICACION LOGICA SELAKEY
1 NO - 1 NC		800T-XA	-	800T-XAP	800T-XAR
1 NO - 1 NCLB		800T-XA1	-	-	-
2 NO		800T-XA2	-	-	800T-XA2R
2 NC		800T-XA4	-	-	800T-XA4R
1 NC - 1 NCLB		800T-XA7	-	-	-
1 NO		800T-XD1	800T-XD5	800T-XD1P	800T-XD1R
1 NC		800T-XD2	800T-XD6	800T-XD2P	800T-XD2R
1 NOEM		800T-XD3	-	-	-
1 NCLB		800T-XD4	-	-	-
		SEMI-CONDUCTOR SEMI-CONDUCTEUR SEMI-CONDUCTOR SEMI-CONDUCTOR SEMI-CONDUCTOR	SEMI-CONDUCTOR SEMI-CONDUCTEUR SEMI-CONDUCTOR SEMI-CONDUCTOR SEMI-CONDUCTOR	SEMI-CONDUCTOR SEMI-CONDUCTEUR SEMI-CONDUCTOR SEMI-CONDUCTOR SEMI-CONDUCTOR	SEMI-CONDUCTOR SEMI-CONDUCTEUR SEMI-CONDUCTOR SEMI-CONDUCTOR SEMI-CONDUCTOR

CSA C22.2 NO. 0.4

BULLETIN 800T SER. T

BONDING KIT
 KIT DE CONNEXION
 BAUSATZ FÜR FESTE
 VERBINDUNGEN
 JUEGO DE UNIÓN
 CONJUNTO PARA LIGAR

CAT. NO. 800T-N300

-01	A	TWO SIDES PRINTED BODY STOCK WHITE, INK BLACK	8-1/2" W. X 11" H.	2-1/8" W. X 2-3/4" H.
PART NO.	CHG. LTR.	MATERIAL	SIZE	
			FLAT	FOLDED

DO NOT WRITE IN THIS AREA

REFERENCE	BULLETIN 800H/800T PUSHBUTTON INSTALLATION AND MOUNTING INSTRUCTIONS		
REVISION AUTHORIZATION	DIMENSIONS APPLY BEFORE SURFACE TREATMENT	ALLEN-BRADLEY A ROCKWELL INTERNATIONAL COMPANY	
i 642-89-1	(DIMENSIONS IN INCHES) TOLERANCES UNLESS OTHERWISE SPECIFIED		
	XX: ±		
	XXX: ±		
	ANGLES: ±	DR. GARY USHAKOV	DATE 7/11/89
		CHKD. <i>[Signature]</i>	DATE 7/19/89
		APPD. <i>[Signature]</i>	DATE 7/18/89
		DWG SIZE	SHEET 2 OF 2
		B	40061-059
		LOCATION:	MILWAUKEE, WISCONSIN U.S.A.