

AB BULLETIN BULLETIN
800H/800T

SELECTOR SWITCH INSTALLATION AND MOUNTING INSTRUCTIONS
INSTRUCTIONS DE MONTAGE ET D'INSTALLATION DU SELECTEUR
WAHLSCHALTER, EINBAU- UND MONTAGEANLEITUNG
INSTRUCCIONES DE INSTALACION Y MONTAJE DEL CONMUTADOR SELECTOR
INSTRUÇÕES DE INSTALAÇÃO E MONTAGEM DO COMUTADOR SELECTOR

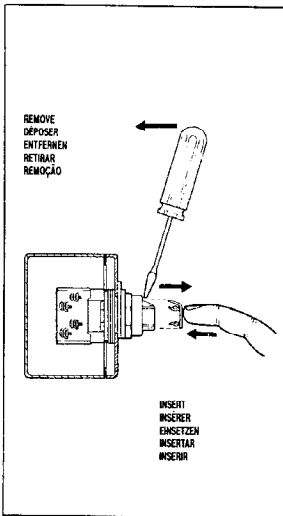
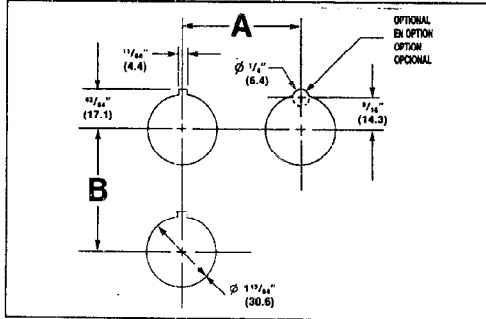
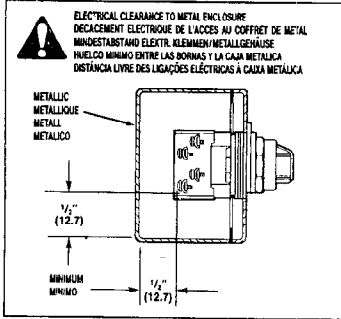
WARNING: Isolate before servicing. Install in suitable enclosure. Keep free from contaminants.

ATTENTION: Toujours couper toutes sources d'alimentation avant de commencer l'entretien. Installer dans une boîte appropriée. Protéger le relais contre les contaminants.

WARNUNG: Vor Wartungsarbeiten Anlage abschalten. Die Geräte müssen in einem passenden Gehäuse eingebaut und gegen Verschmutzung geschützt werden.

PRECAUCION: Desconéctelo antes de servirlo. Instálelo en una caja apropiada. Manténgalo libre de contaminantes.

CUIDADO: Desconectar antes de usar. Instalar em caixa apropriada. Manter livre de contaminantes.



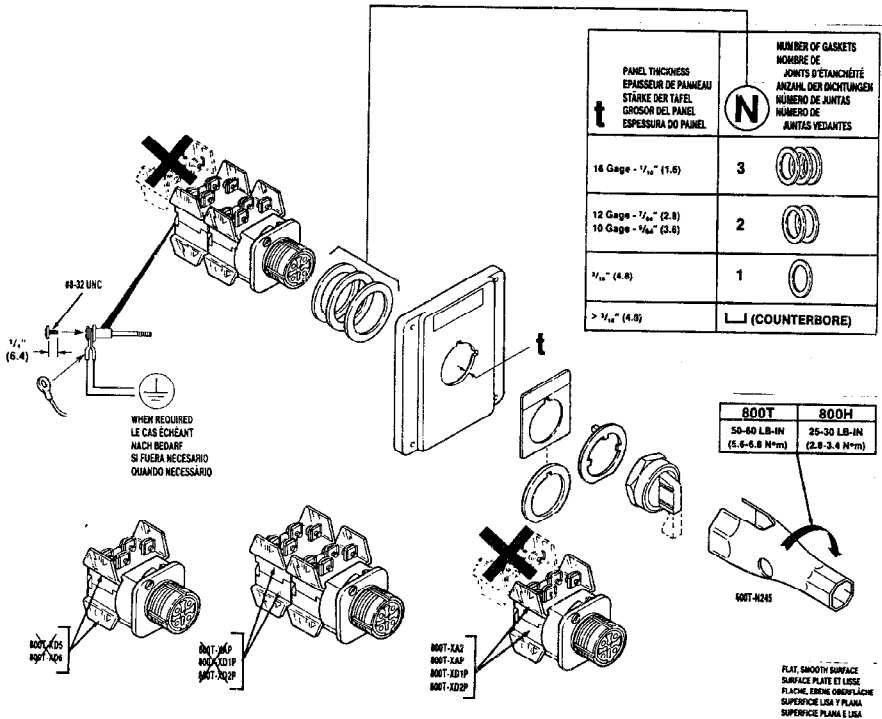
| TYPE TYP TIPO | POSITIONS STELLUNGEN POSICIONES | Ø 1 1/4" (38.1) | | 1 1/2" (38.1) | | 2 1/4" (57.2) | |
|---------------------|---------------------------------------|-----------------|---------------|---------------|---------------|---------------|---------------|
| | | A | B | A | B | A | B |
| (800T) | ↓ | 2 1/2" (63.5) | 1 1/2" (38.1) | 2 1/2" (63.5) | 2 1/2" (63.5) | 2 1/2" (63.5) | 2 1/2" (63.5) |
| (800H) | ↓ | 2 1/2" (63.5) | 1 1/2" (38.1) | 2 1/2" (63.5) | 2 1/2" (63.5) | 2 1/2" (63.5) | 2 1/2" (63.5) |
| (800T) | ↓ | 2 1/2" (63.5) | 1 1/2" (38.1) | 2 1/2" (63.5) | 2 1/2" (63.5) | 2 1/2" (63.5) | 2 1/2" (63.5) |
| (800T) | ↓ | 2 1/2" (63.5) | 1 1/2" (38.1) | 2 1/2" (63.5) | 2 1/2" (63.5) | 2 1/2" (63.5) | 2 1/2" (63.5) |
| (800T) | ↓ | 2 1/2" (63.5) | 1 1/2" (38.1) | 2 1/2" (63.5) | 2 1/2" (63.5) | 2 1/2" (63.5) | 2 1/2" (63.5) |
| (800T) | ↓ | 3" (76.2) | 3" (76.2) | 3" (76.2) | 3" (76.2) | 3" (76.2) | 3" (76.2) |
| (800T) | ↓ | 3" (76.2) | 3" (76.2) | 3" (76.2) | 3" (76.2) | 3" (76.2) | 3" (76.2) |
| (800T) | ↓ | 4" (101.6) | 3" (76.2) | 4" (101.6) | 3" (76.2) | 4" (101.6) | 3" (76.2) |

40061-060-01(B)
Printed in U.S.A.

AB ALLEN-BRADLEY
A ROCKWELL INTERNATIONAL COMPANY

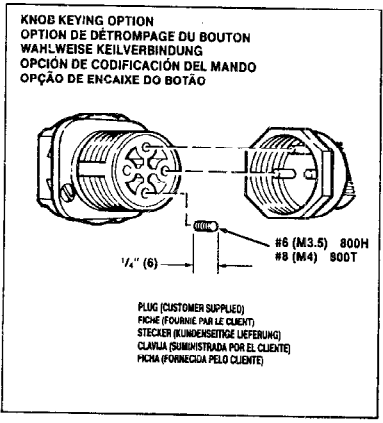
| | | | | | |
|------------------------|----------|--|--|--|--|
| REFERENCE | | BULLETIN 800H/800T SELECTOR SWITCH INSTALLATION AND MOUNTING INSTRUCTIONS | | THIS DRAWING IS THE PROPERTY OF THE ALLEN-BRADLEY CO. INC. AND MAY NOT BE COPIED, USED OR DISCLOSED FOR ANY PURPOSE EXCEPT AS AUTHORIZED IN WRITING BY THE ALLEN-BRADLEY CO. INC. | |
| REVISION AUTHORIZATION | | DIMENSIONS APPLY BEFORE SURFACE TREATMENT | | LOCATION: MILWAUKEE, WISCONSIN U.S.A. | |
| 1 | 642-89-1 | (DIMENSIONS IN INCHES) TOLERANCES UNLESS OTHERWISE SPECIFIED | | DWG SIZE | |
| 2 | 3549-92 | xx ± .02 | | SHEET 1 OF 2 | |
| | | xxx ± .005 | | B | |
| | | ANGLES: ± N/A | | 40061-060 | |
| 40061 | | DR. GARY USHAKOW | | DATE 7/11/89 | |
| | | CHKD. <i>[Signature]</i> | | DATE 7/19/89 | |
| | | APPD. <i>[Signature]</i> | | DATE 7/18/89 | |

712



| PANEL THICKNESS ÉPAISSEUR DE PLANQUEAU STÄRKE DER TAFEL GROSOR DEL PANEL ESPESURA DO PAINEL | NUMBER OF GASKETS NOMBRE DE JOINTS D'ÉTANCHÉITÉ ANZAHL DER DICHTUNGEN NÚMERO DE JUNTAS NÚMERO DE JUNTAS VEDANTES |
|---|--|
| 16 Gage - 1/16" (1.6) | 3 |
| 12 Gage - 1/8" (2.8) 10 Gage - 3/16" (3.8) | 2 |
| 1/4" (4.8) | 1 |
| > 1/4" (4.8) | 1 (COUNTERBORE) |

| 800T | 800H |
|------------------------------|------------------------------|
| 50-60 LB-IN (5.6-6.8 N*m) | 25-30 LB-IN (2.8-3.4 N*m) |



| DEVICE RATING PUISANCE NOMINALE DU DISPOSITIF NENNLEISTUNG DER VORRICHTUNG RÉGIMEN DEL DISPOSITIVO GRADUAÇÃO DO INSTRUMENTO | ENCLOSURE RATING VALEUR NOMINALE DU COFFRET GEMÄSSERSTUFUNG RÉGIMEN DE LA CAJA CAPACIDADE DO COMPARTIMENTO | STATION RATING VALEUR NOMINALE DE LA STATION STATIONSLEISTUNG RÉGIMEN DE ESTACION CAPACIDADE DA ESTAÇÃO |
|---|--|---|
| 800T UL LISTED: NEMA 4, 13 IP66 | NEMA 1 NEMA 4 NEMA 4, 4X NEMA 13 NEMA 4, 13 IP66 | NEMA 1 NEMA 4 NEMA 6 NEMA 13 NEMA 4, 13 IP66 |
| 800H UL LISTED: NEMA 4, 4X, 13 IP68 | NEMA 1 NEMA 4 NEMA 4, 4X NEMA 13 NEMA 4, 13 IP68 | NEMA 1 NEMA 4 NEMA 4, 4X NEMA 13 NEMA 4, 13 IP68 |

| | | | | |
|----------|-----------|---|--------------------|-----------------------|
| -01 | B | TWO SIDES PRINTED BODY STOCK WHITE, INK BLACK | 8-1/2" W. X 11" H. | 2-1/8" W. X 2-3/4" H. |
| PART NO. | CHG. LTR. | MATERIAL | SIZE | |
| | | | FLAT | FOLDED |

DO NOT WRITE IN THIS AREA

| REVISION AUTHORIZATION | DIMENSIONS APPLY BEFORE SURFACE TREATMENT |
|------------------------|---|
| 1 642-89-1 | DIMENSIONS IN INCHES TOLERANCES UNLESS OTHERWISE SPECIFIED |
| 2 3549-92 | xx ± .02 |
| | xxx ± .005 |
| | ANGLES: ± NA |
| 40061 | |

**BULLETIN 800H/800T SELECTOR SWITCH
INSTALLATION AND MOUNTING INSTRUCTIONS**

ALLEN-BRADLEY
A ROCKWELL INTERNATIONAL COMPANY

DR. GARY USHAKOW DATE 7/11/89
CHKD. H. Ushakov DATE 7/19/89
APPD. A. R. DATE 7/18/89

THIS DRAWING IS THE PROPERTY OF THE ALLEN-BRADLEY CO. INC. AND MAY NOT BE COPIED, USED OR DISCLOSED FOR ANY PURPOSE EXCEPT AS AUTHORIZED IN WRITING BY THE ALLEN-BRADLEY CO. INC.

LOCATION: MILWAUKEE, WISCONSIN U.S.A.

DWG. SIZE SHEET 2 OF 2

B 40061-060