



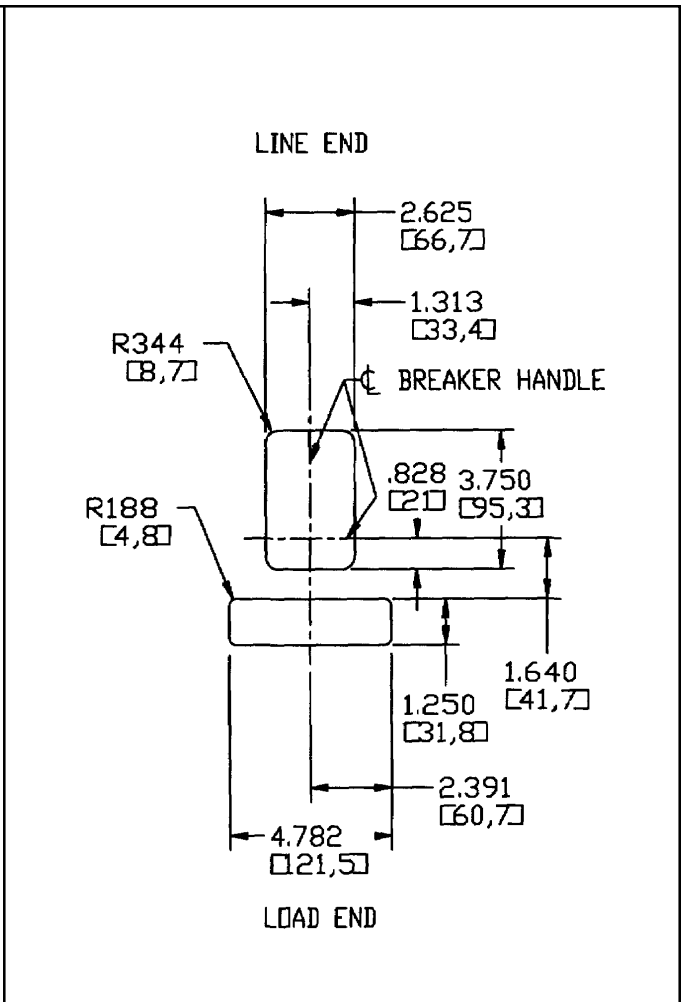
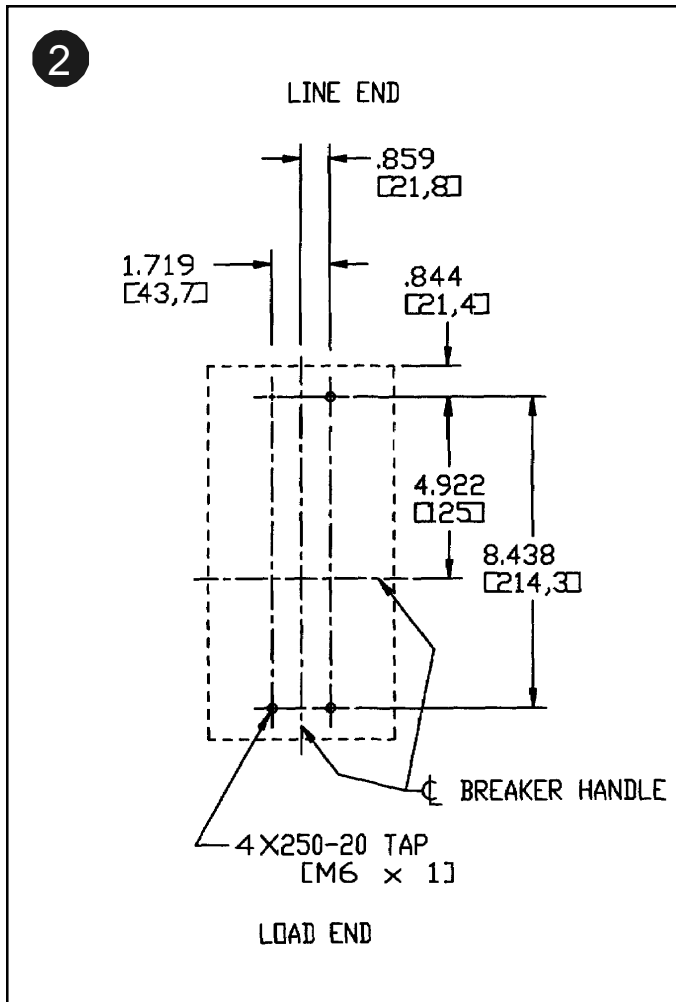
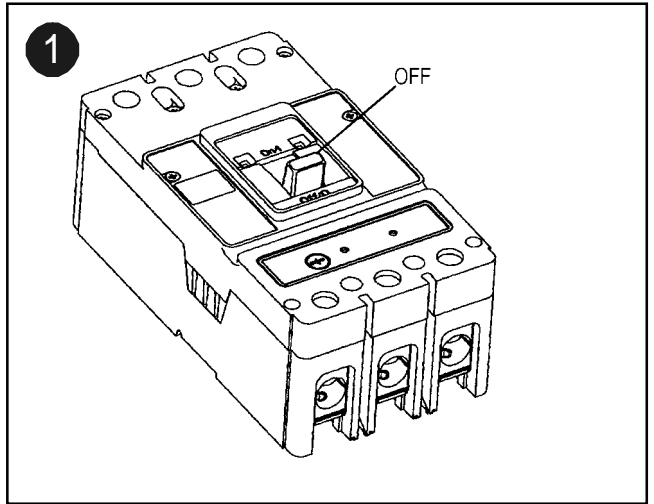
K-Frame

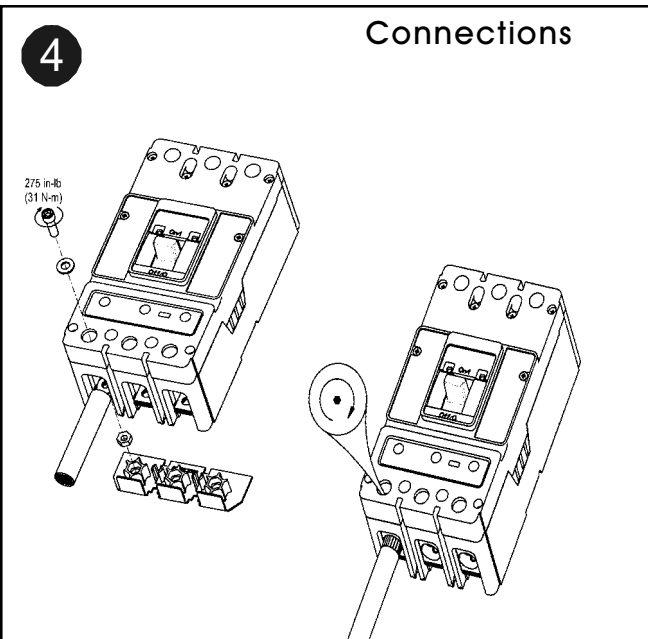
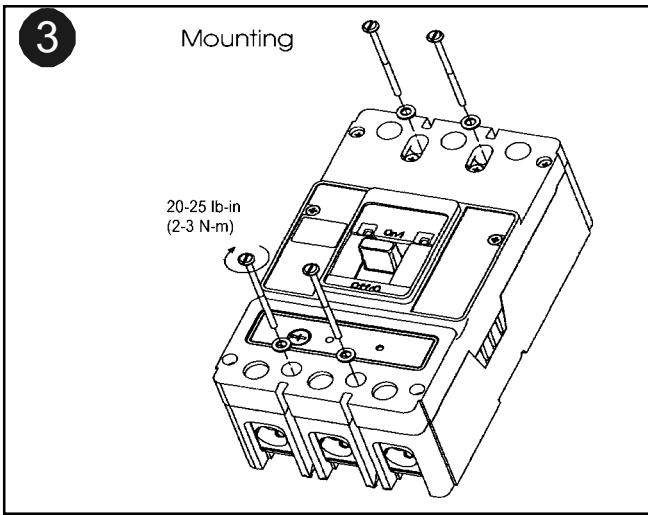
Instruction Leaflet For Circuit Breakers and Frames

 **Warning**



DO NOT ATTEMPT TO INSTALL OR PERFORM MAINTENANCE ON EQUIPMENT WHILE IT IS ENERGIZED. DEATH OR SEVERE PERSONAL INJURY CAN RESULT FROM CONTACT WITH ENERGIZED EQUIPMENT. ALWAYS VERIFY THAT NO VOLTAGE IS PRESENT BEFORE PROCEEDING.





Catalog Number	Wire Size Range		Torque		Wire Type	Terminal Body Material
	AWG	mm	in.-lb	N-m		
140U-K-TLC1	250-500	120-240	375	42	CU ONLY	ALUMINUM
140U-K-TLC2	3/0-250 (23)	95-120 (2)	275	31	CU ONLY	ALUMINUM
140U-K-TLA1	250-500	120-240	375	42	CU/AL	ALUMINUM

Catalog Number	Bolt Size		Torque	
	English	Metric	In. lb	N-m
	4CU-K-ECM	5-6	M8	120-144

