



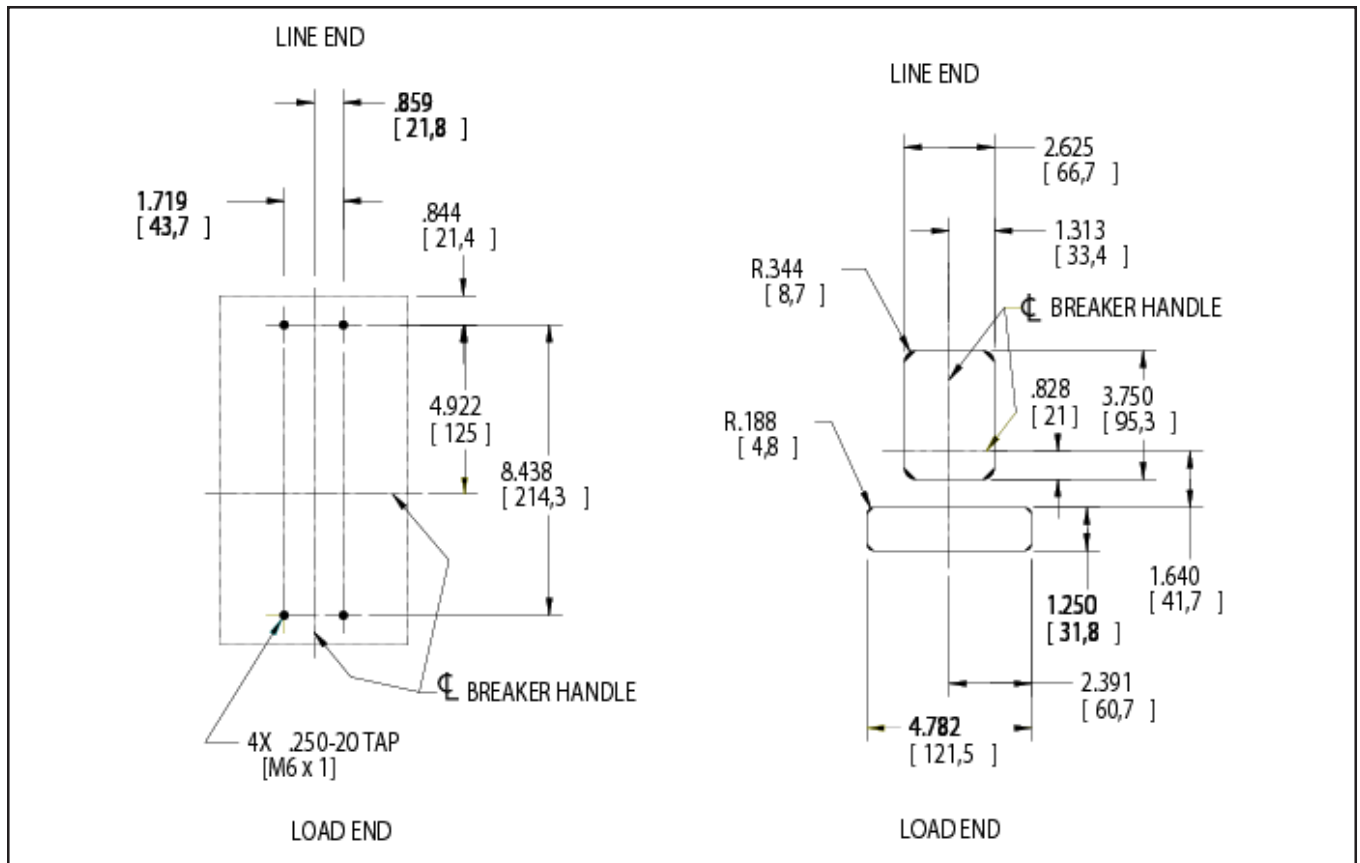
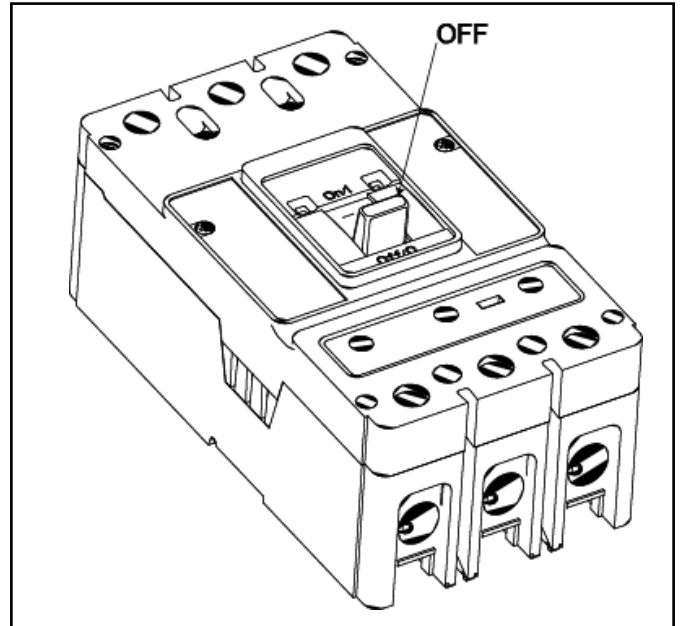
K-Frame Circuit Breakers Instruction Leaflet for Motor Circuit Protector

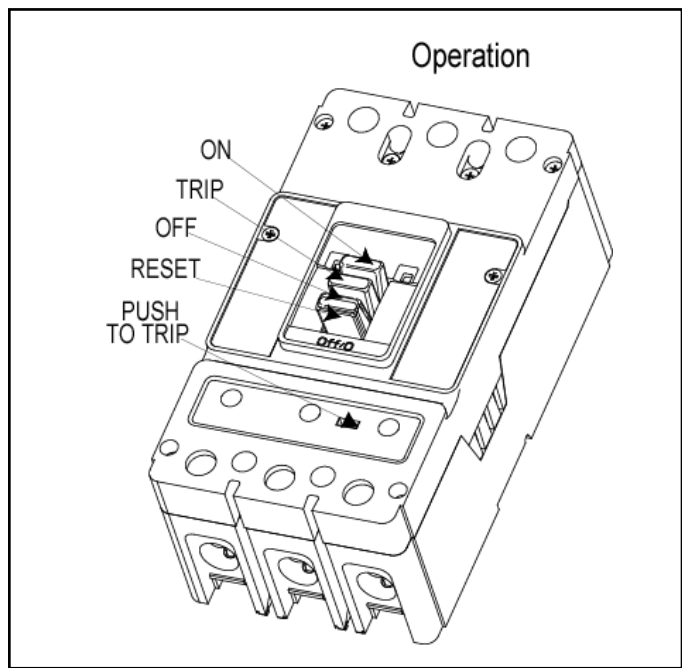
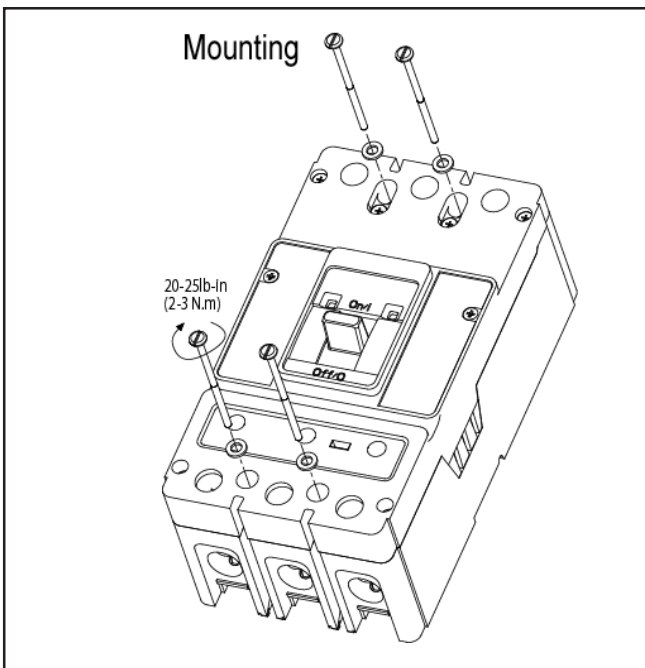


WARNING



DO NOT ATTEMPT TO INSTALL OR PERFORM MAINTENANCE ON EQUIPMENT WHILE IT IS ENERGIZED. DEATH OR SEVERE PERSONAL INJURY CAN RESULT FROM CONTACT WITH ENERGIZED EQUIPMENT. ALWAYS VERIFY THAT NO VOLTAGE IS PRESENT BEFORE PROCEEDING.





Connections

275 in-lb (31 N.m)

ENDCAP

See Table

TERMINAL

Catalog Number	Wire Size Range		Torque		Wire Type	Terminal Body Material
	AWG	mm	in-lb	N-m		
140U-K-TLC1	250-500 (1)	120-240 (1)	375	42	CU ONLY	COPPER
140U-K-TLC2	3/0-250 (2)	95-120 (2)	275	31	CU ONLY	COPPER
140U-K-TLA1	250-500 (1)	120-240 (1)	375	42	CU/AL	ALUMINUM

Catalog Number	End Cap		Torque	
	Bolt Size		in.lb	N-m
	English	Metric		
140U-K-ECM	5-16	M8	120-144	14-16

