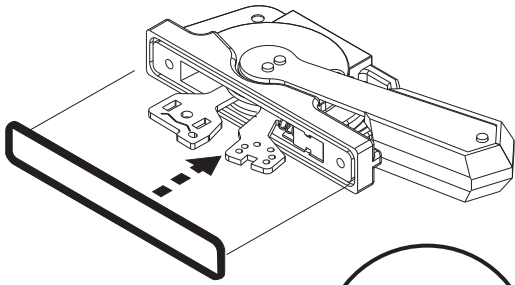
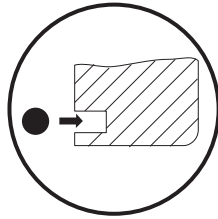


Operating Mechanism and Handle Installation

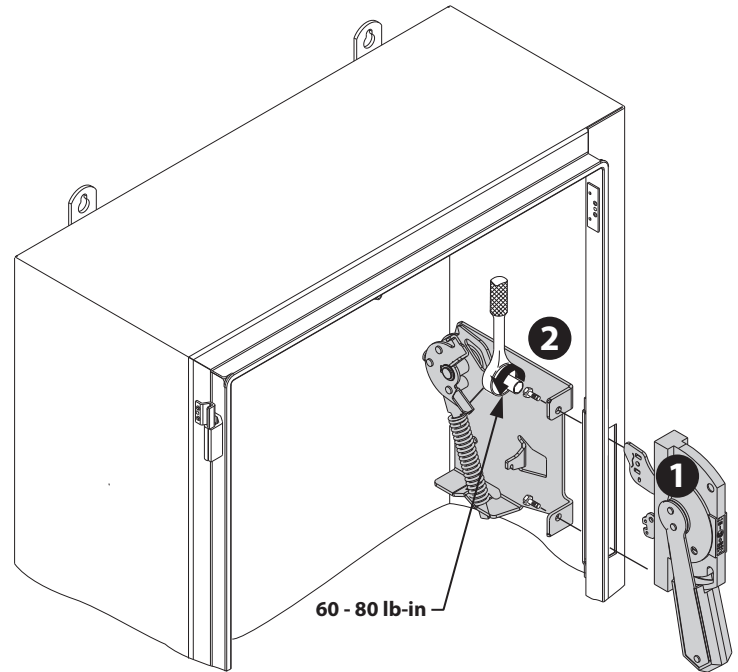
1



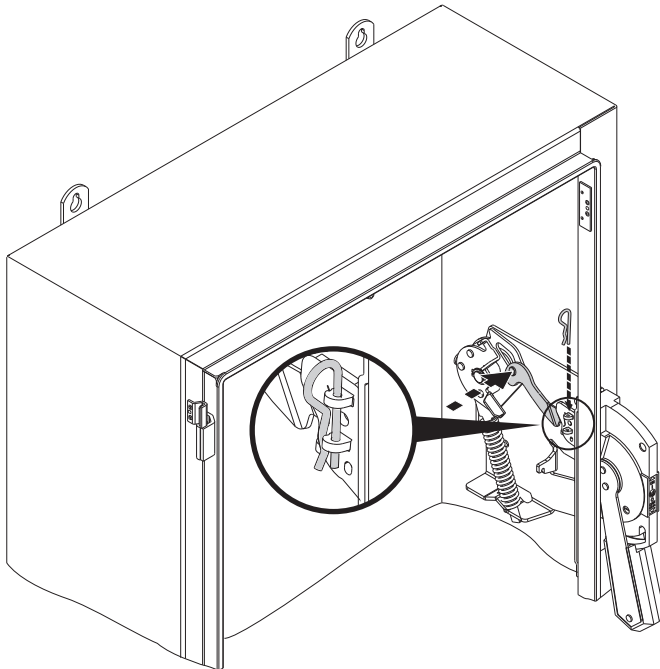
IMPORTANT: Apply grease to O-Ring seal to retain into handle groove.



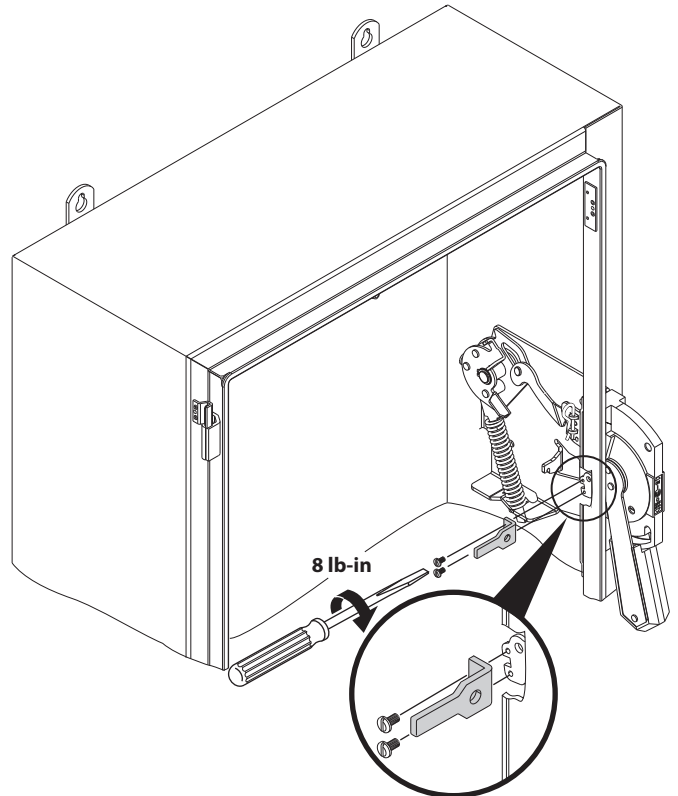
2



3

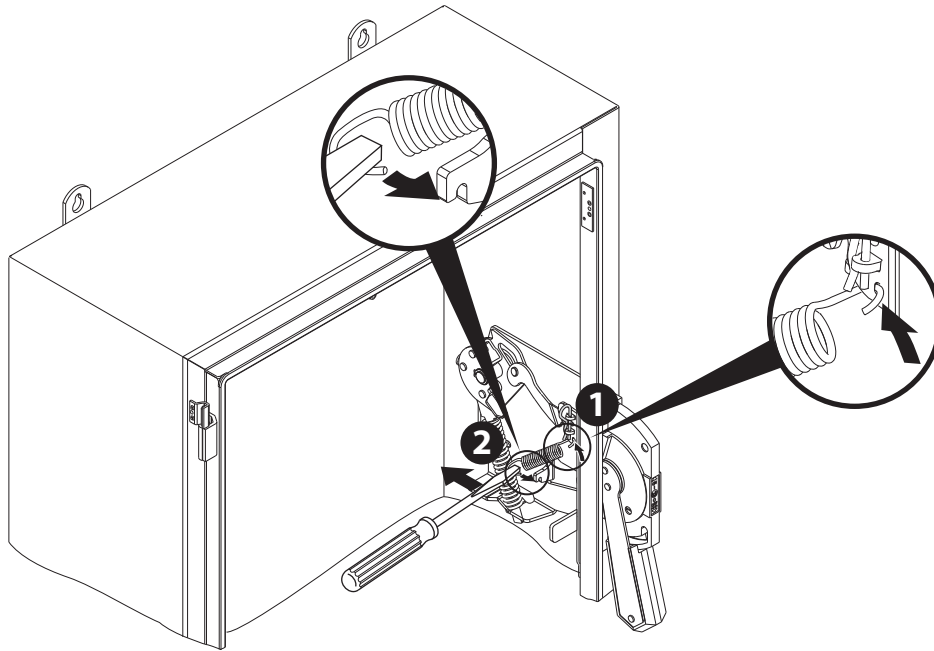


4



Operating Mechanism and Handle Installation (Cont'd)

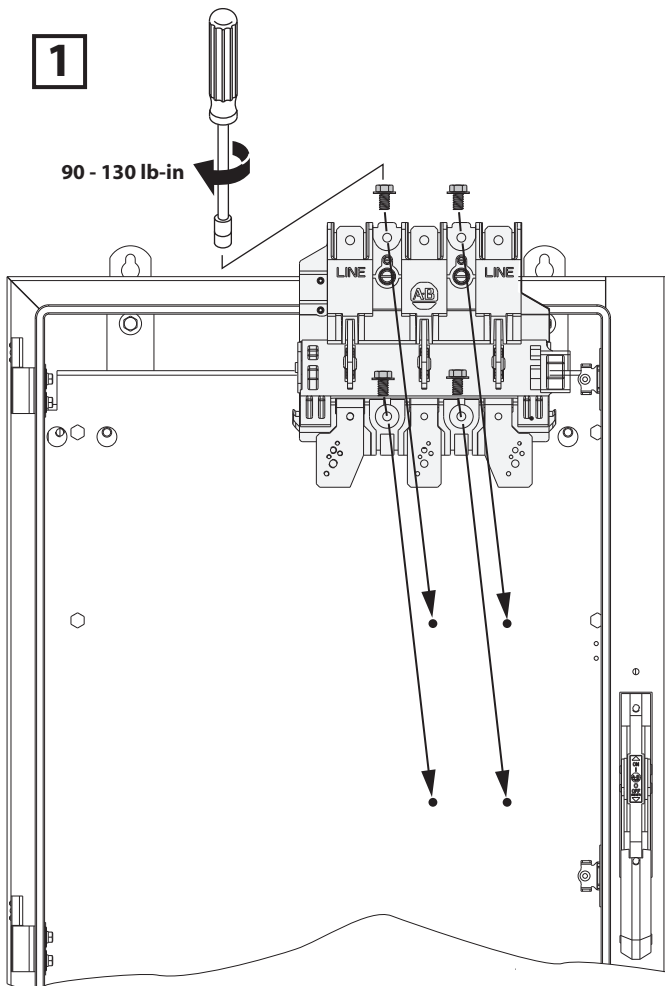
5



Disconnect Switch Installation

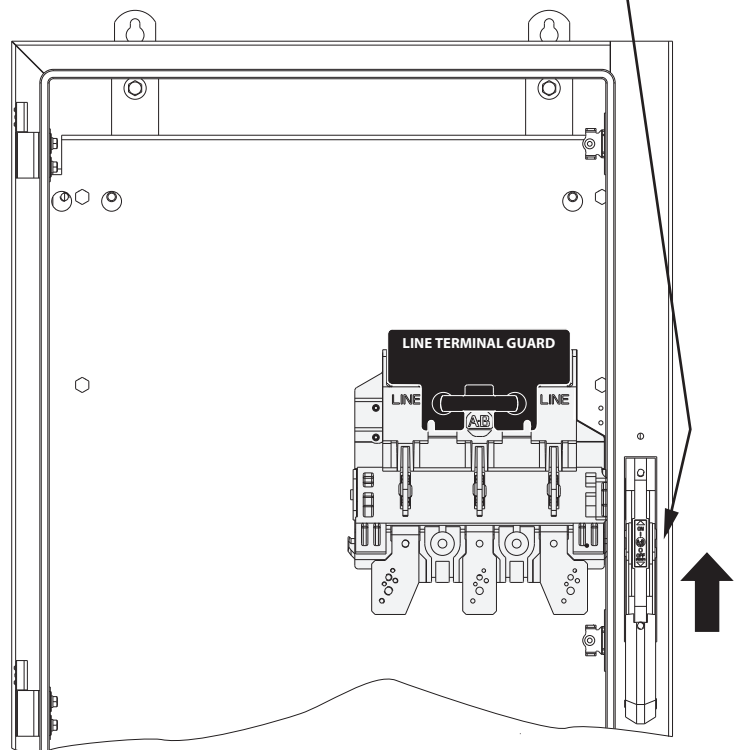
1

90 - 130 lb-in



2

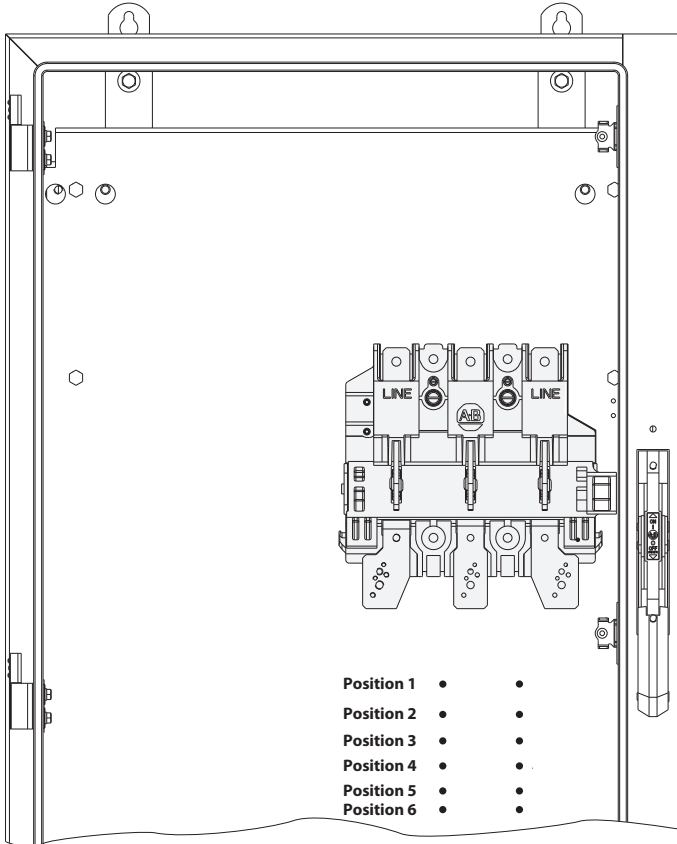
IMPORTANT: Move operating handle to •ONŽ position after assembly to ensure the proper engagement of the disconnect switch cross bar to the handle operating mechanism.



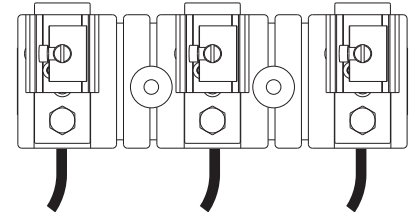
Trailer Fuse Block Installation

Note: Not required for non-fusible disconnect switch applications.

1. Refer to the figures and chart below to determine the **position** on the mounting plate and the **orientation** of the trailer fuse block.

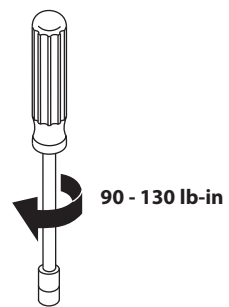
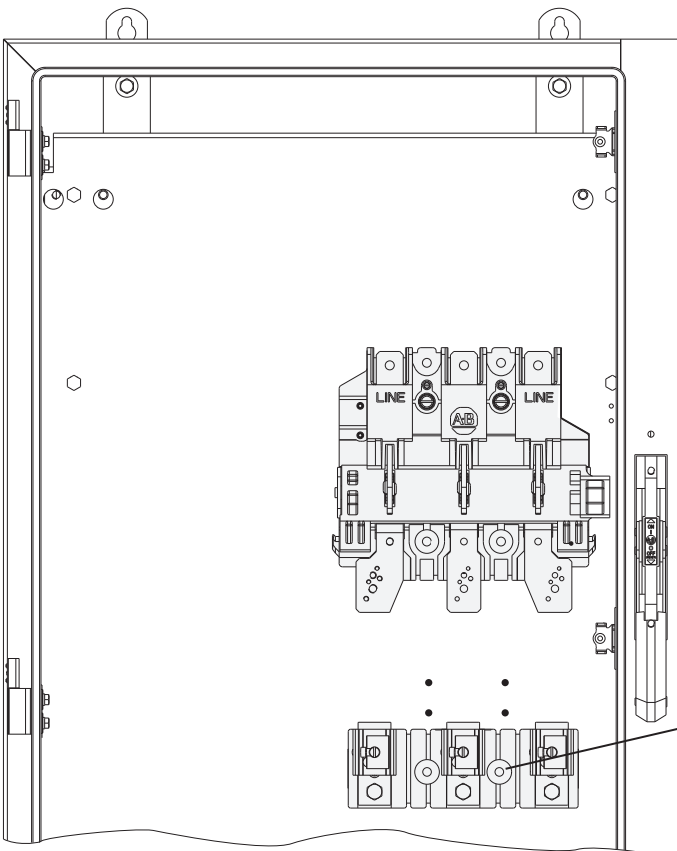


- Position 1 • •
- Position 2 • •
- Position 3 • •
- Position 4 • •
- Position 5 • •
- Position 6 • •



400 Amp Disconnect Switch and Trailer Fuse Block on a NEMA Size 5 Combination Starter

Position	Amps	Voltage	Fuse Class
3	200	250	H/R
5	200	600	H/R
1	200	600	J
4	400	250	H/R
6	400	600	H/R
2	400	600	J



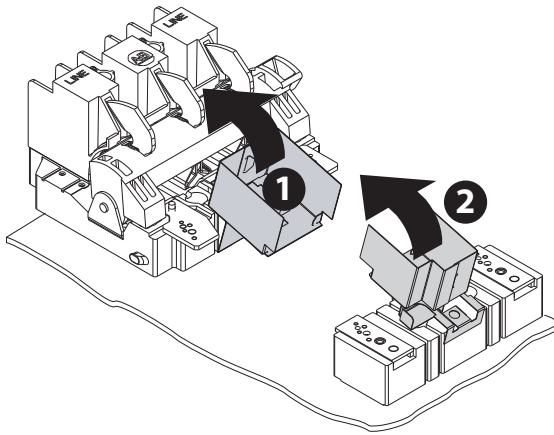
Phase Barrier and Fuse Clip Installation

Amp Rating
400

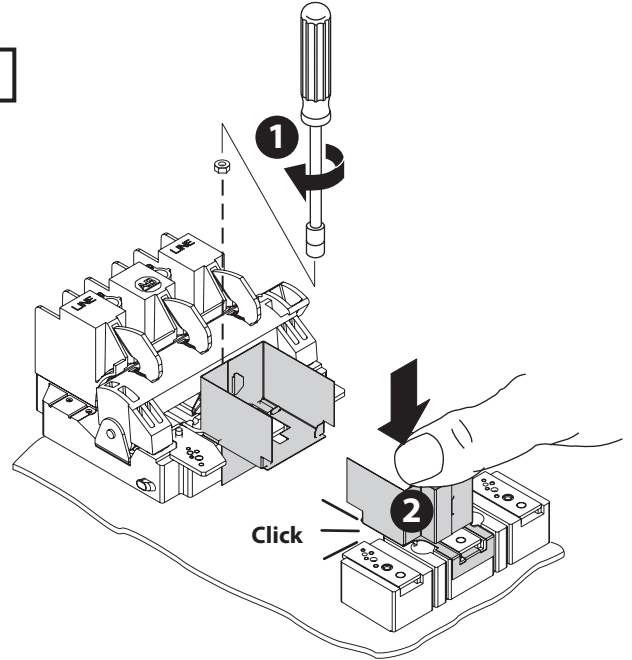
Phase Barrier Catalog Number
1494F-PH5

400 Amp Rating

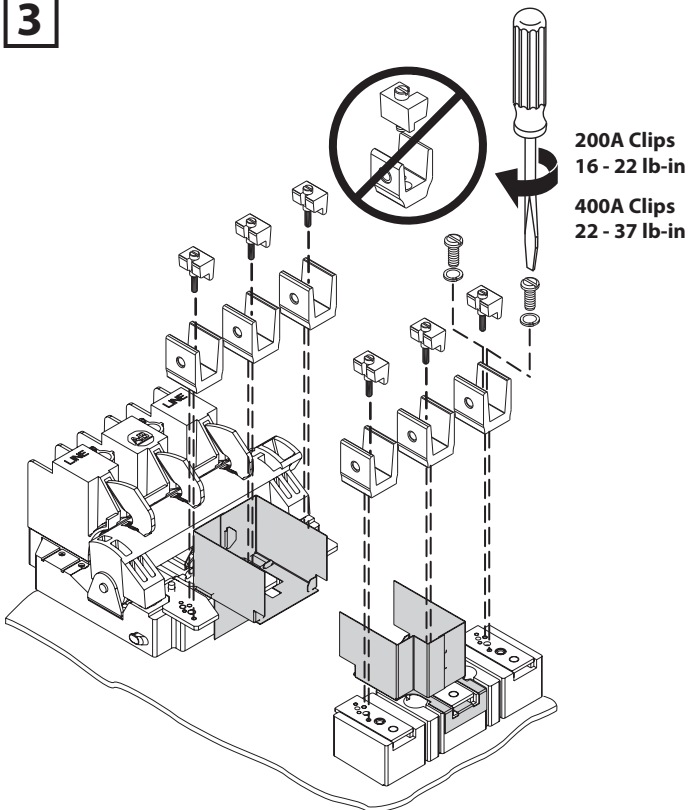
1



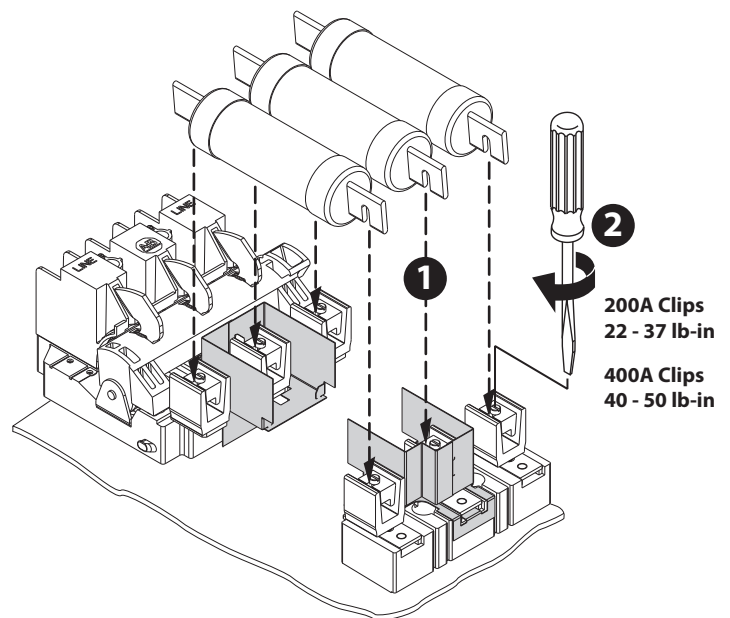
2



3



4



Fuse Cover Installation

Cat 1495-N68

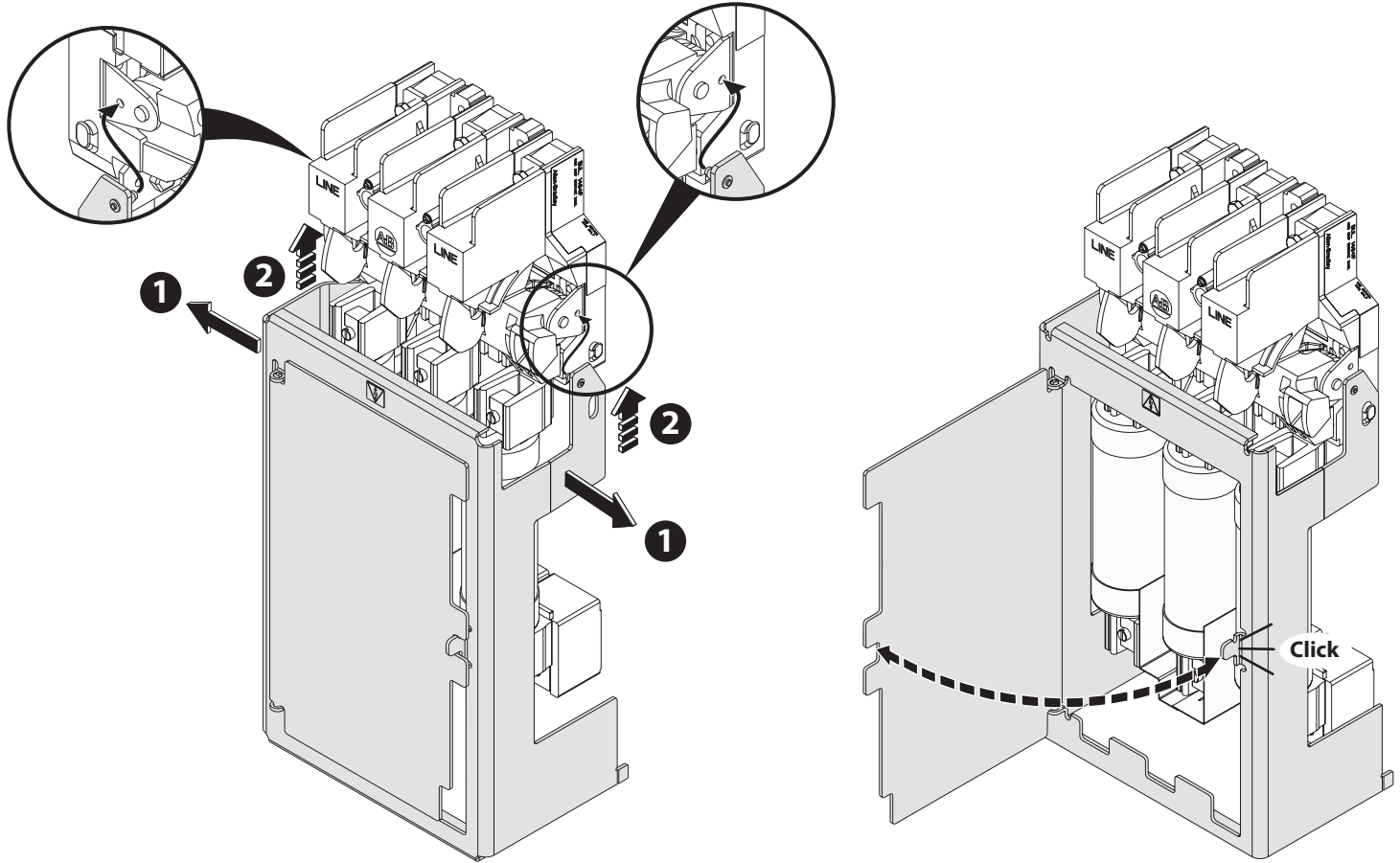
Non-Fused

200 A, 250 V, Class H, R Fuses

200 A, 600 V, Class H, J, R Fuses

400 A, 250 V, Class H, R Fuses

400 A, 600 V, Class H, J, R Fuses



Testing of Disconnect Switch

1. Verify that both the disconnect switch and the disconnect handle are in **OFF** position. (the disconnect switch can be moved into the **OFF** position by moving the crossbar downward (counter-clockwise) so that the blades are exposed).
2. To test that the disconnect switch and the mechanism are properly aligned. Verify that the disconnect switch can be turned **ON** by moving the defeater lever downward and moving the disconnect handle to **ON** position (the blades should enter the disconnect switch arc hood).
3. Verify that the disconnect switch can be turned **OFF** by moving the disconnect handle to **OFF** position (the blades should exit the disconnect switch arc hood).

Allen-Bradley, Rockwell Software, and Rockwell Automation are trademarks of Rockwell Automation, Inc.
Trademarks not belonging to Rockwell Automation are property of their respective companies.

www.rockwellautomation.com

Power, Control and Information Solutions Headquarters

Americas: Rockwell Automation, 1201 South Second Street, Milwaukee, WI 53204-2496 USA, Tel: (1) 414.382.2000, Fax: (1) 414.382.4444

Europe/Middle East/Africa: Rockwell Automation NV, Pegasus Park, De Kleetlaan 12a, 1831 Diegem, Belgium, Tel: (32) 2 663 0600, Fax: (32) 2 663 0640

Asia Pacific: Rockwell Automation, Level 14, Core F, Cyberport 3, 100 Cyberport Road, Hong Kong, Tel: (852) 2887 4788, Fax: (852) 2508 1846

