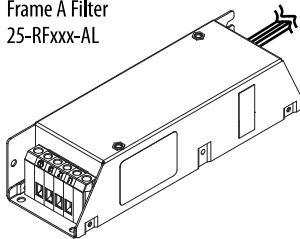




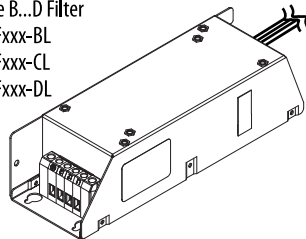
# PowerFlex 520-Series EMC Filter Installation

Catalog Numbers: 25-RF011-AL, 25-RF023-BL, 25-RF014-AL, 25-RF021-BL, 25-RF027-CL, 25-RF035-DL, 25-RF056-EL, 25-RF7P5-AL, 25-RF014-BL, 25-RF018-CL, 25-RF033-DL, 25-RF039-EL, 25-RF8P0-BL, 25-RF014-CL, 25-RF027-DL, 25-RF029-EL

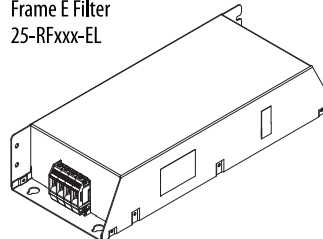
Frame A Filter  
25-RFxxx-AL



Frame B...D Filter  
25-RFxxx-BL  
25-RFxxx-CL  
25-RFxxx-DL



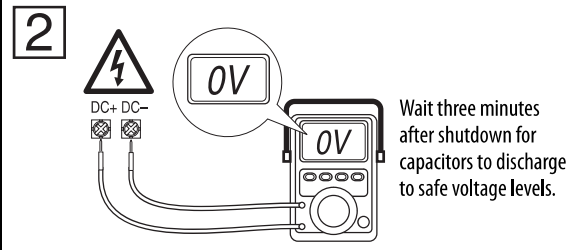
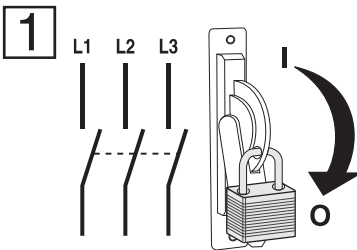
Frame E Filter  
25-RFxxx-EL



Note: The drive side for all frame A...D filters is prewired with three or four wires depending on number of phases.

## Filter Mounting

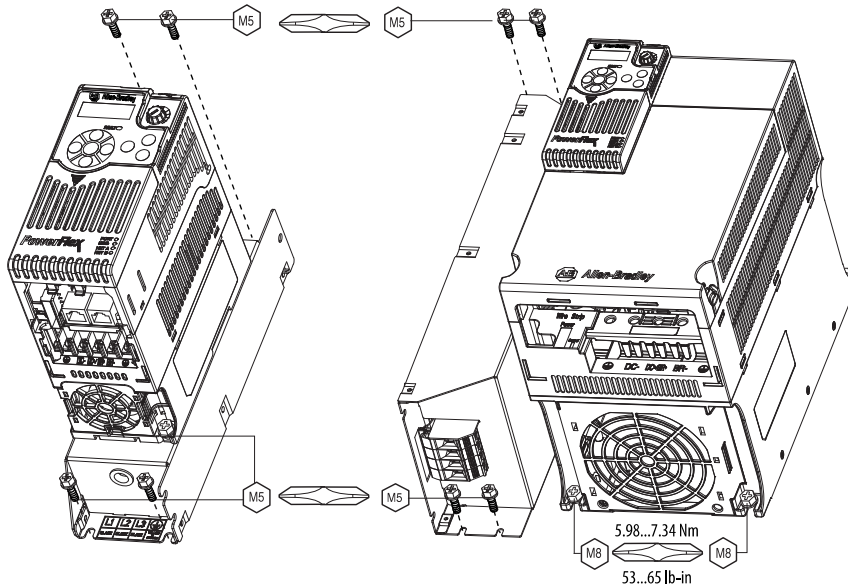
Frame	Screw Size	Screw Torque
A	M5 (#10...24)	1.56...1.96 Nm (14...17 lb-in)
B	M5 (#10...24)	1.56...1.96 Nm (14...17 lb-in)
C	M5 (#10...24)	1.56...1.96 Nm (14...17 lb-in)
D	M5 (#10...24)	2.45...2.94 Nm (21.7...26 lb-in)
E	M5 (#10...24)	1.56...1.96 Nm (14...17 lb-in)



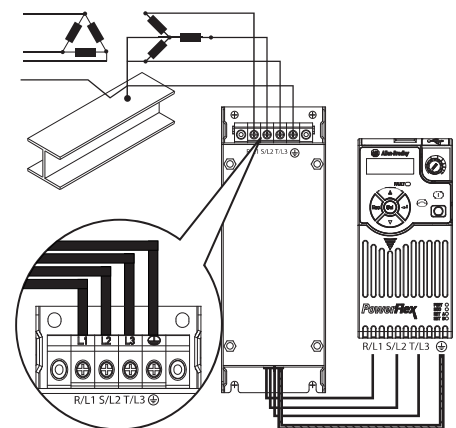
## 3 Mount the EMC Filter to the Drive

For Frame A...D

For Frame E



## Filter Terminal Wiring



Frame	Wire Gauge	Screw Torque
A...D	0.32...8.4 mm <sup>2</sup> (22...8 AWG)	1.59...1.94 Nm (14.1...17.2 lb-in)
E	2.1...26.7 mm <sup>2</sup> (14...3 AWG)	3.09...3.77 Nm (27.3...33.4 lb-in)

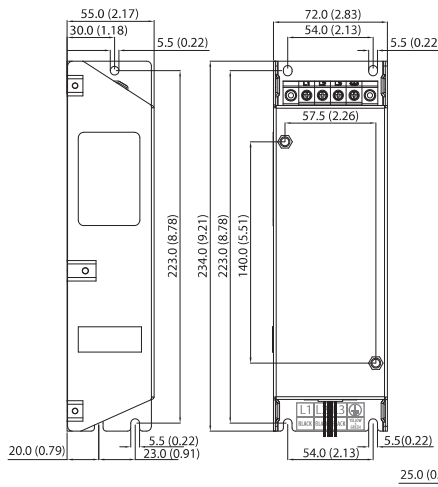
**ATTENTION:**

- All Frame E filters **must** be mounted on its side.
- 600V Frame A drives can be mounted on Frame B filters.

**Dimensions** All dimensions are in mm (in.)

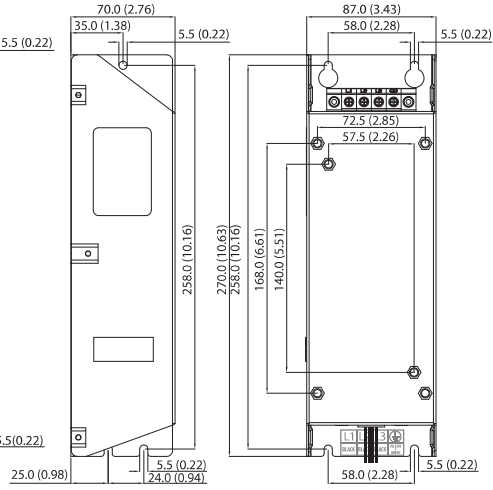
**Frame A Filter**

- 25-RF011-AL 25-RF7P5-AL
- 25-RF014-AL



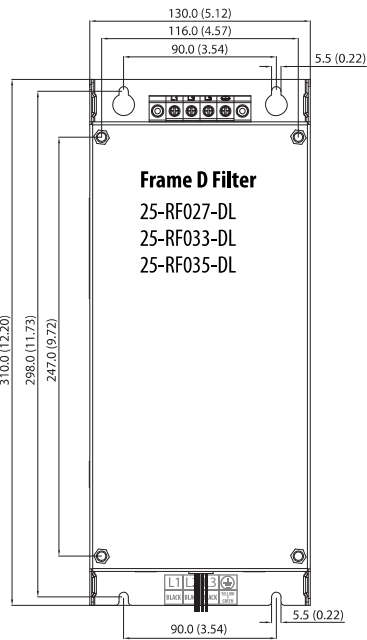
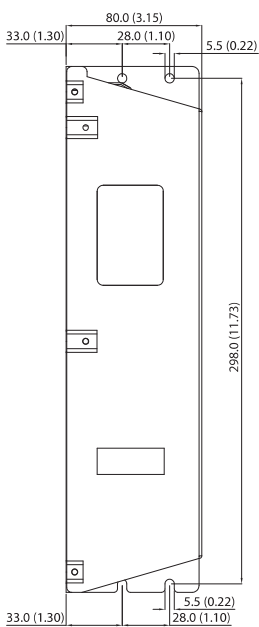
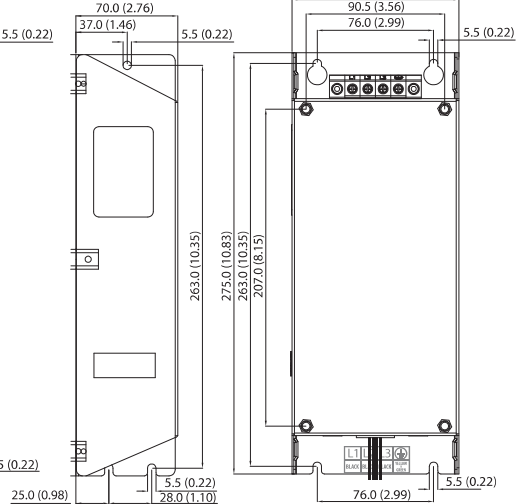
**Frame B Filter**

- 25-RF014-BL 25-RF023-BL
- 25-RF021-BL 25-RF8P0-BL



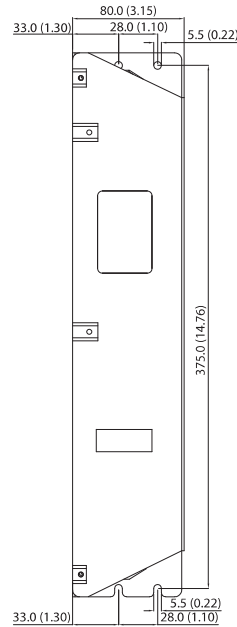
**Frame C Filter**

- 25-RF014-CL 25-RF027-CL
- 25-RF018-CL



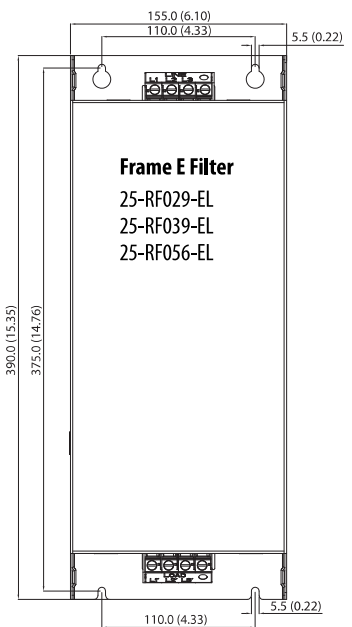
**Frame D Filter**

- 25-RF027-DL
- 25-RF033-DL
- 25-RF035-DL



**Frame E Filter**

- 25-RF029-EL
- 25-RF039-EL
- 25-RF056-EL



U.S. Allen-Bradley Drives Technical Support - Tel: (1) 262.512.8176, Fax: (1) 262.512.2222, E-mail: support@drives.ra.rockwell.com  
 Online: <http://www.ab.com/support/abdrives>

Allen-Bradley, Rockwell Software, Rockwell Automation, PowerFlex and TechConnect are trademarks of Rockwell Automation, Inc.  
 Trademarks not belonging to Rockwell Automation are property of their respective companies.

[www.rockwellautomation.com](http://www.rockwellautomation.com)

**Power, Control and Information Solutions Headquarters**

Americas: Rockwell Automation, 1201 South Second Street, Milwaukee, WI 53204-2496 USA, Tel: (1) 414.382.2000, Fax: (1) 414.382.4444  
 Europe/Middle East/Africa: Rockwell Automation NV, Pegasus Park, De Kleetlaan 12a, 1831 Diegem, Belgium, Tel: (32) 2 663 0600, Fax: (32) 2 663 0640  
 Asia Pacific: Rockwell Automation, Level 14, Core F, Cyberport 3, 100 Cyberport Road, Hong Kong, Tel: (852) 2887 4788, Fax: (852) 2508 1846

Publication 520-IN006B-EN-P - September 2013

Supersedes Publication 520-IN006A-EN-P - December 2012

Copyright © 2013 Rockwell Automation, Inc. All rights reserved.