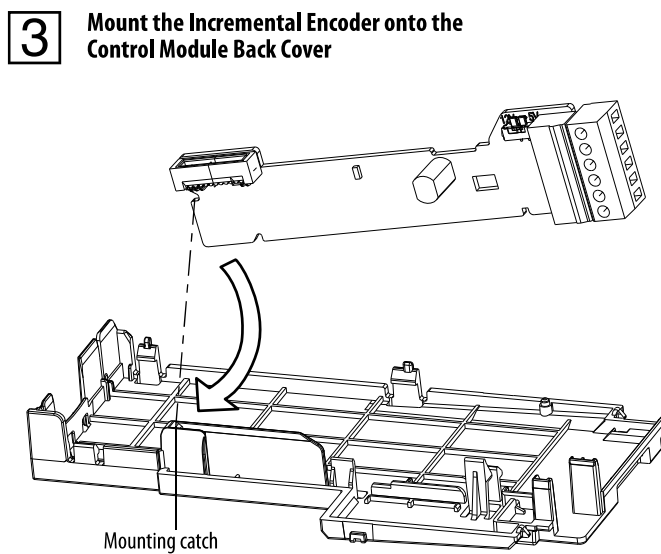
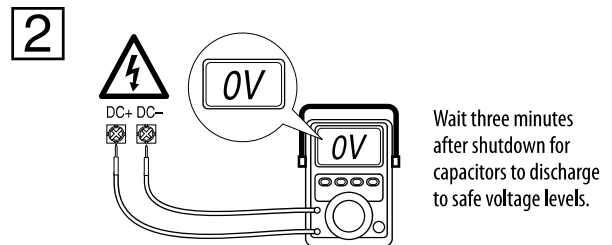
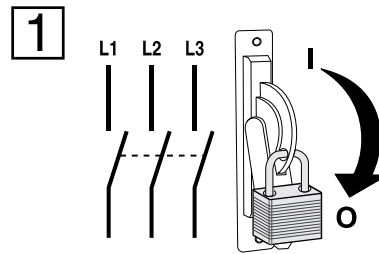
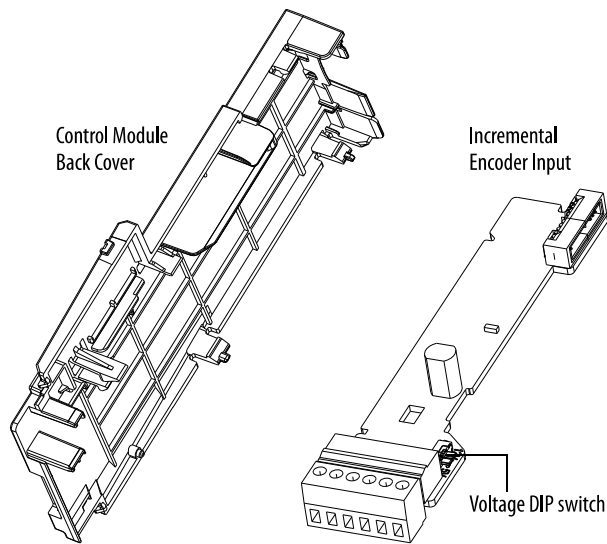


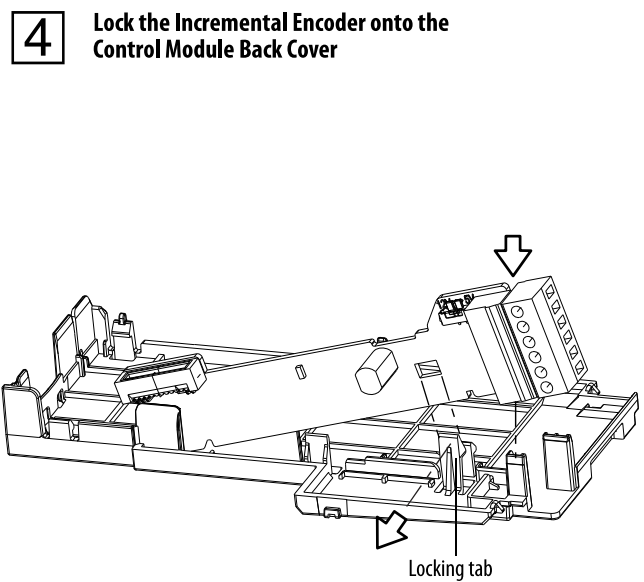


PowerFlex 525 Incremental Encoder Input

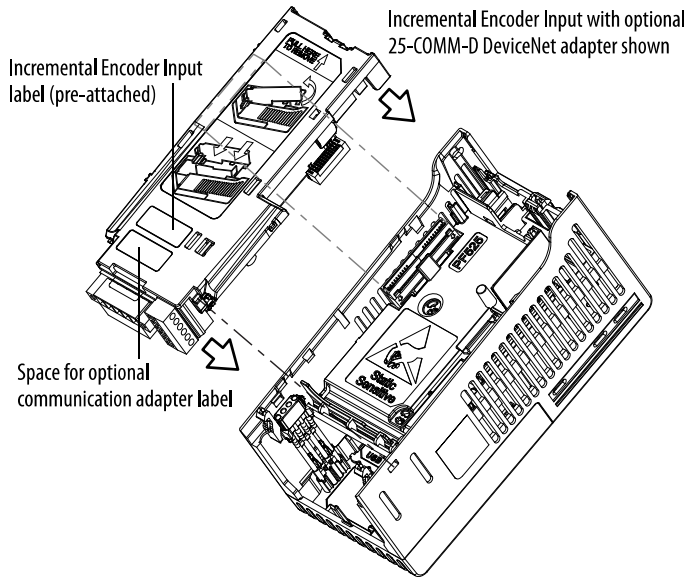
Catalog Number: 25-ENC-1



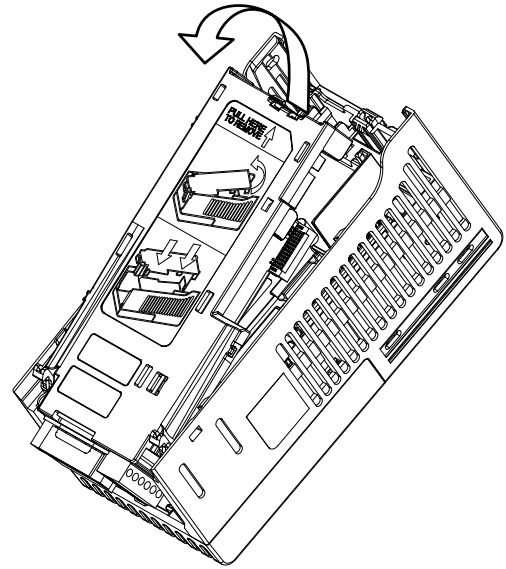
Note: Incremental Encoder Input is for PowerFlex 525 only. You can install both the communication adapter and optional Incremental Encoder Input on the same Control Module Back Cover.



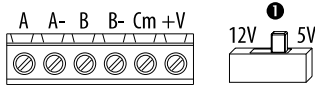
5 Attach the Control Module Back Cover



How to Remove the Control Module Back Cover if Required



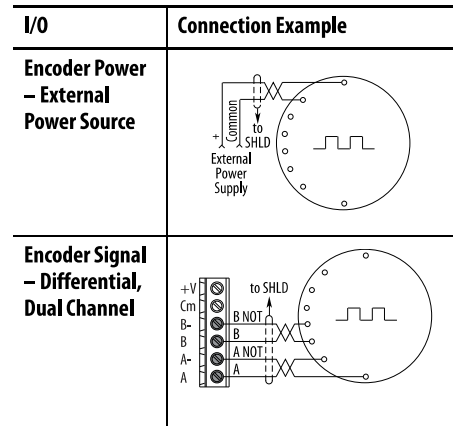
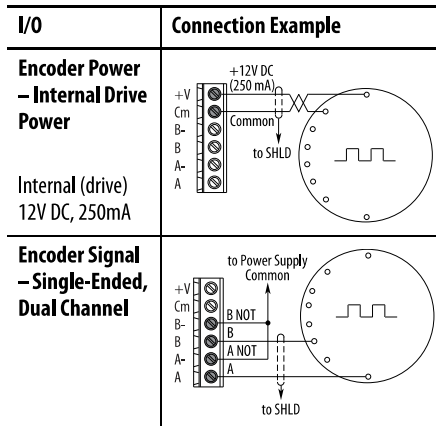
6 Wiring the Incremental Encoder



Maximum Wire Size	Minimum Wire Size	Torque
2.08 mm ² (14 AWG)	0.08 mm ² (28 AWG)	0.18...0.22 Nm (1.56...1.9 lb-in)

No.	Signal	Description
A	Encoder A	Single channel, pulse train or quadrature A input.
A-	Encoder A (NOT)	
B	Encoder B	Quadrature B input.
B-	Encoder B (NOT)	
Cm	Power Return	Internal power source 250 mA (isolated).
+V	5...12V Power ⁽¹⁾	
1	Output	DIP switch selects 12 or 5 volt power supplied at terminals "+V" and "Cm" for the encoder.

(1) If Encoder requires 24V power, it must be supplied by an external power source.



U.S. Allen-Bradley Drives Technical Support - Tel: (1) 262.512.8176, Fax: (1) 262.512.2222, E-mail: support@drives.ra.rockwell.com
 Online: www.ab.com/support/abdrives

Allen-Bradley, Rockwell Software, Rockwell Automation, PowerFlex, and TechConnect are trademarks of Rockwell Automation, Inc.
 Trademarks not belonging to Rockwell Automation are property of their respective companies.

www.rockwellautomation.com

Power, Control and Information Solutions Headquarters

Americas: Rockwell Automation, 1201 South Second Street, Milwaukee, WI 53204-2496 USA, Tel: (1) 414.382.2000, Fax: (1) 414.382.4444
 Europe/Middle East/Africa: Rockwell Automation NV, Pegasus Park, De Kleetlaan 12a, 1831 Diegem, Belgium, Tel: (32) 2 663 0600, Fax: (32) 2 663 0640
 Asia Pacific: Rockwell Automation, Level 14, Core F, Cyberport 3, 100 Cyberport Road, Hong Kong, Tel: (852) 2887 4788, Fax: (852) 2508 1846