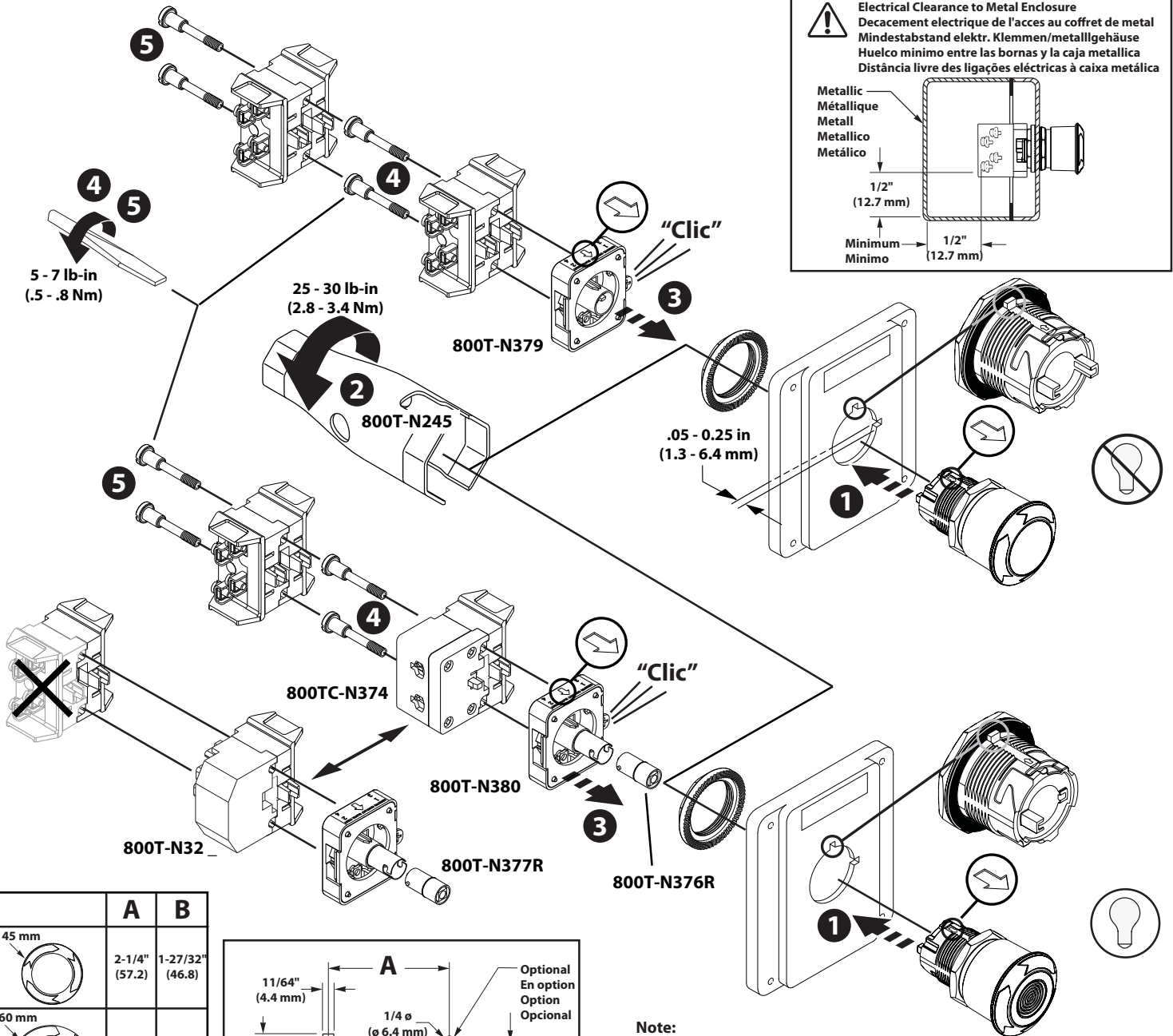
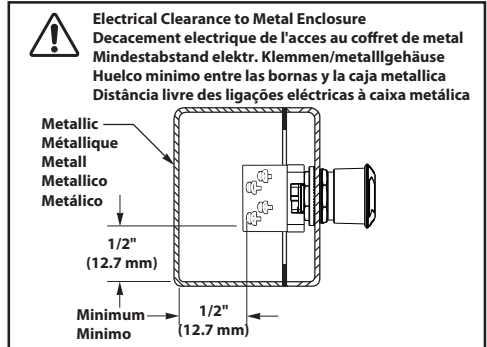
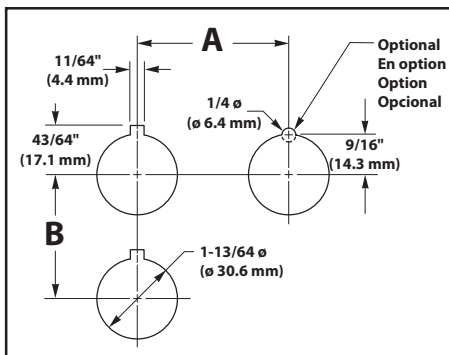


Emergency Stop Push Button  
 Boutons-poussoirs d'arrêt d'urgence  
 Not-Halt-Taster  
 Operadores de paro de emergencia  
 Operadores de parada de emergência  
 (Cat 800T-TFX \_; 800H-TFRX \_)

**WARNING:** To prevent electrical shock, disconnect from power source before installing or servicing. Install in suitable enclosure.

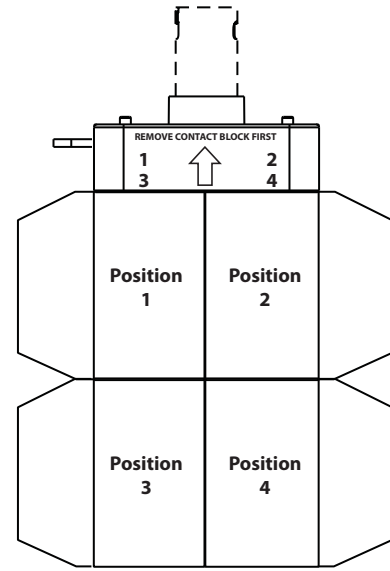
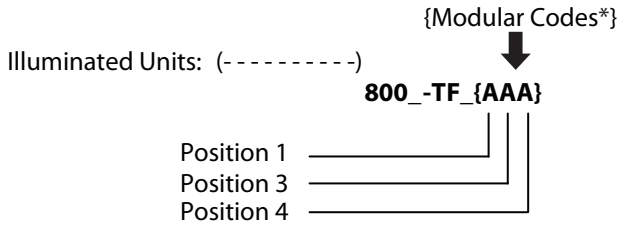
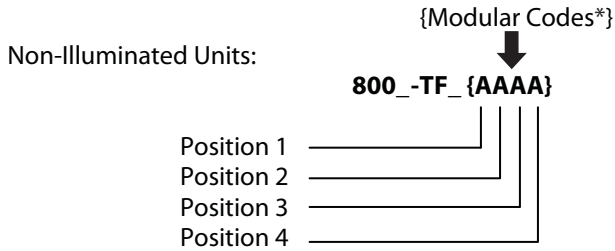


	A	B
ø 45 mm	2-1/4" (57.2)	1-27/32" (46.8)
ø 60 mm	2-1/2" (63.5)	2-1/2" (63.5)
ø 63 mm	2-5/8" (66.7)	2-5/8" (66.7)



**Note:**  
 800T devices are rated Type 2, 3, 4, 4X and 13.  
 800H devices are rated Type 4, 4X and 13.  
 Install on a flat, smooth surface of an enclosure.  
 Devices maintain their Type ratings only when properly mounted in an enclosure with the same rating(s).

# Assembly and Configuration of Contact Blocks



**NOTE:** Install power module in Position 2. Only the Universal LED-type power module can be used if stacking a contact block in Position 4.



**WARNING:** Normally open (N.O.) contacts can not be used for emergency stop control circuits. Emergency Stop Pushbuttons are UL NISD (or NNTO with 800TC-XAF) Listed when mounted in a non-ventilated enclosure only, and when used with N.C. or S.M. (Self-monitoring) contacts.

Block Type	No. of Contacts	Cat No.	Modular Code*	Comments	Wire Range AWG (mm <sup>2</sup> )	Tight Torque lb-in (Nm)
Standard	1-NO, 1-NC	800T/TC-XA	A	Series B & later (shallow profile)	14 - 18 (.5 - 2.5)	6 - 8 (.7 - .9)
	1-NC	800T/TC-XD2	E			
Self Monitoring	1-SMCB	800TC-XD4S	3	NOTE: up to (2) 800TC-XD4S only allowed	14 - 18 (.5 - 2.5)	6 - 8 (.7 - .9)
PenTUFF	1-NO, 1-NC	800T/TC-XAV	F		14 - 18 (.5 - 2.5)	6 - 8 (.7 - .9)
	1-NC	800T/TC-XD2V	U			
Explosion Protected	1-NO, 1-NC	800TC-XAF	O	NOTE: only (1) 800TC-XAF allowed for 800H Illuminated units, and up to (2) 800TC-XAF allowed for others.	14 - 18 (.5 - 2.5)	6 - 8 (.7 - .9)

**Note:** For two circuit contact blocks, it is recommended that the same wire size be used for each circuit.

Rockwell Automation maintains current product environmental information on its website at <http://www.rockwellautomation.com/rockwellautomation/about-us/sustainability-ethics/product-environmental-compliance.page>.

Allen-Bradley, Rockwell Software, and Rockwell Automation are trademarks of Rockwell Automation, Inc. Trademarks not belonging to Rockwell Automation are property of their respective companies.

[www.rockwellautomation.com](http://www.rockwellautomation.com)

## Power, Control and Information Solutions Headquarters

Americas: Rockwell Automation, 1201 South Second Street, Milwaukee, WI 53204-2496 USA, Tel: (1) 414.382.2000, Fax: (1) 414.382.4444

Europe/Middle East/Africa: Rockwell Automation NV, Pegasus Park, De Kleetlaan 12a, 1831 Diegem, Belgium, Tel: (32) 2 663 0600, Fax: (32) 2 663 0640

Asia Pacific: Rockwell Automation, Level 14, Core F, Cyberport 3, 100 Cyberport Road, Hong Kong, Tel: (852) 2887 4788, Fax: (852) 2508 1846