



RJ45 Cordset—600V

Specifications

Certifications	UL and cUL Listed
Outside Diameter	0.32 ± 0.015 in. (8.13 ± 0.38 mm)
Operating Temperature	-20...+80 °C (-4...+176 °F)
Cable Rating	UL, cUL TYPE CMG; UL PLTC or UL AWM 2570 80C 600V, TIA 568B

Description

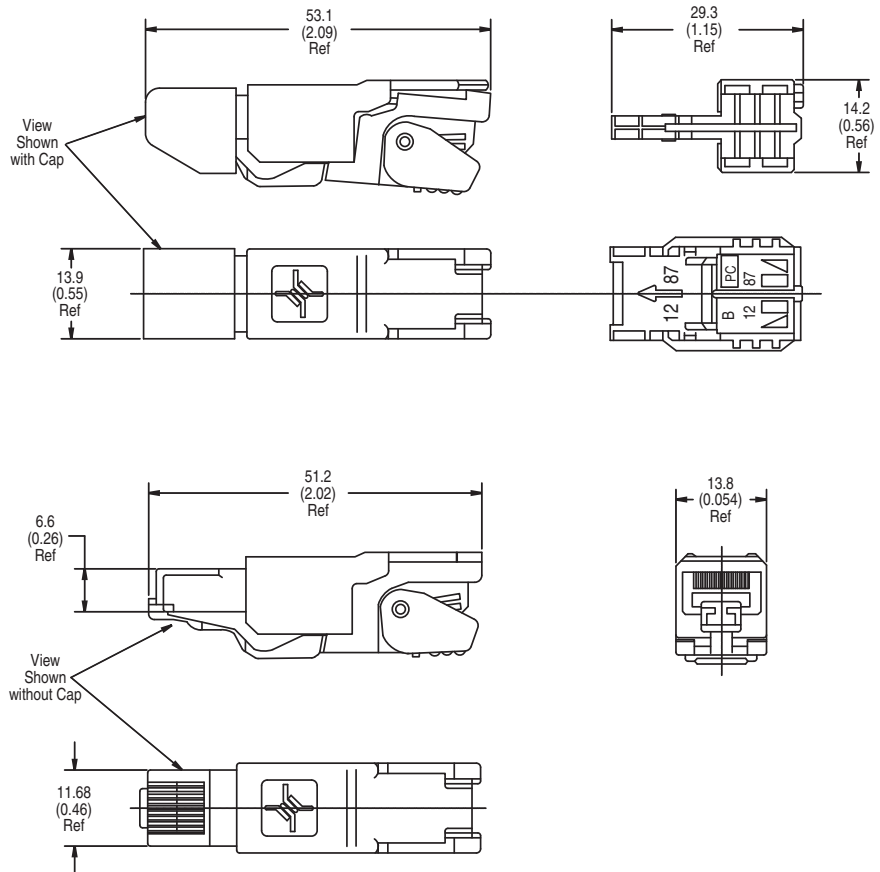
Rockwell Automation's Cat5e shielded and unshielded cable is designed to supply a reliable network connection in harsh surroundings. The high speed data rate allows more data to be transferred within a shorter period of time. By optimizing balance of twisted pair conductors inside a robust TPE jacket, data is protected from noise, chemicals, and mechanical issues to M₃L₃C₃E₃ environmental protection levels. Two and four pair PUR robotic flex cable is available for flex applications, reaching 10 million cycles, as well as a riser PVC cable for standard applications. High voltage, 600V ethernet cable is available for use in a cable tray with high voltage power cables. All ethernet media components are designed to perform above TIA 568-B.2 and ODVA ethernet standards. Rockwell Automation's Bulletin 1585 ethernet cables are optimized UTP and STP cables in many applications.

Features

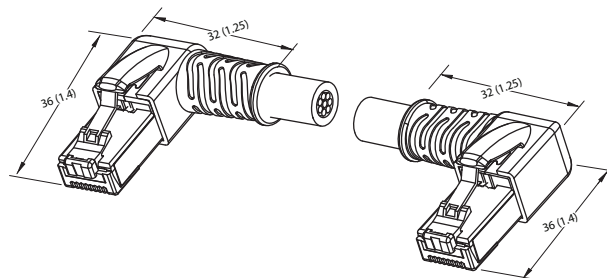
- Foil and braided shield, PVC, eight conductor (four pair)
- 600V PVC cable designed to support high voltage applications
- On-Machine rated cable for use in a cable tray shared with high voltage power cables
- RJ45 insulation displacement connector available for field terminations

Approximate Dimensions [mm (in.)]

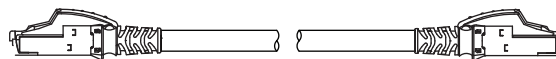
RJ45 IDC Connector



RJ45 90° Left and Right Angle Patchcord



RJ45 Cordset & Patchcord



Pinout

Face View RJ45 Pinout		
8-Pin		
Color Code		
	8 7 6 5 4 3 2 1	
8-Pin		
A	1 White/Orange	TxData +
	2 Orange	TxData -
	3 White/Green	Recv Data +
	4 Blue	Unused
	5 White/Blue	Unused
	6 Green	Recv Data -
	7 White/Brown	Unused
	8 Brown	Unused

Cable and Color Code

Four-Pair

White/Orange	
Orange	
White/Green	
Blue	
White/Blue	
Green	
White/Brown	
Brown	

Product Selection

Jacket Material	Cable Type	No. of Conductors	Jacket Color	Wire Size, AWG	Nominal Outer Diameter	Operating Temperature [C (F)]	Cable Rating	Cat. No. ★
600V PVC	Foil and braided shield	8 (four pair)	Teal	22	8.13 ± 0.38 mm (0.32 in.)	-20...+80 ° (-4...+176 °)	(UL) CMX, CMR; c(UL) CMG; (UL) PLTC or AWM 2570 80 °C 600V; TIA-568-B	1585-C8HB-S100
			Red					1585-C8EB-S100
		4 (2 pair)	—					1585-C4HB-S100
			—					1585-C4EB-S100

★ Replace 100 (100 m) with 300 (300 m) or 600 (600 m) for additional standard cable lengths (example 1585-C4TB-S100 becomes 1585-C4TB-S600).

RJ45 Cordset



Shielding	Cable Type	Cat. No. ★
Foil and braided shield	8 conductor, teal 600V PVC	1585J-M8HB-2
		1585J-M8EB-2
	4 conductor, teal, 600V PVC	1585J-M4HB-2
		1585J-M4EB-2

RJ45 Straight to Straight Patchcords



No. of Conductors	Jacket Material	Cable Type	Cable Rating	Cat. No. ★
8	Teal 600V PVC	Foil and braided shield	(UL) CMX, CMR; c(UL) CMG; (UL) PLTC or AWM 2570 80 °C 600V; TIA-568-B	1585J-M8HBJM-2
	Red 600V PVC			1585J-M8EBJM-2
4	Teal 600V PVC			1585J-M4HBJM-2
	Red 600V PVC			1585J-M4EBJM-2

★ Replace -2 (2 m) with 5 (5 m) or 10 (10 m) for additional standard cable lengths.

RJ45 Angle to Straight Patchcords



No. of Conductors	Jacket Material	Cable Type	Cable Rating	Angle	Cat. No. ★
8	Teal 600V PVC	Foil and braided shield	(UL) CMX, CMR; c(UL) CMG; (UL) PLTC or AWM 2570 80 °C 600V; TIA-568-B	Right	1585J-E8HBJM-2
4					1585J-E4HBJM-2
8				Left	1585J-L8HBJM-2
4					1585J-L4HBJM-2

★ Replace -2 (2 m) with 5 (5 m) or 10 (10 m) for additional standard cable lengths.

RJ45 IDC Connector

Insulation Diameter [mm (in.)]	Cable Diameter [mm (in.)]	Cat. No.
0.85...1.6 (0.033...0.063)	5...9 (0.197...0.354)	1585J-M8CC-SH