

Bulletin 193 Input Interface Module

(Cat 193-EIMD; 193-EIMD60)

WARNING: To prevent electrical shock, disconnect from power source before installing or servicing. **Caution:** Follow the instructions in the literature provided with the product. Do not dismantle the product for repair. Do not dismantle the product for repair. Do not dismantle the product for repair.

ATTENTION: Do not install, configure, operate or maintain this product until you have read the product documentation. For more information, visit www.rockwellautomation.com/literature or contact your local sales office or Rockwell Automation representative. **ATTENTION:** Ne pas installer, configurer, exploiter ou maintenir ce produit tant que vous n'avez pas lu la documentation. Pour obtenir de la documentation, rendez-vous sur www.rockwellautomation.com/literature ou contactez votre agence commerciale Rockwell Automation locale ou votre représentant. **ACHTUNG:** Die Installation, Konfiguration, den Betrieb und die Wartung dieses Produkt lesen Sie die Produkt- oder Betriebsanleitung. Weitere Informationen durch www.rockwellautomation.com/literature oder kontaktieren Sie Ihr lokales Vertriebsbüro bzw. einen Rockwell Automation-Mitarbeiter. **ATENCIÓN:** No instale, configure, opere ni mantenga este producto hasta que haya leído la documentación. Para conseguir la documentación, visite www.rockwellautomation.com/literature o póngase en contacto con su oficina regional de ventas o representante de Rockwell Automation. **ATENÇÃO:** Não instale, configure, opere ou mantenha este produto até que você leia a documentação. Para conseguir a documentação, visite www.rockwellautomation.com/literature ou entre em contato com seu escritório de vendas regional ou representante da Rockwell Automation. **ATTENZIONE:** Non installare, configurare, attivare o riparare questo prodotto senza avere prima letto la documentazione. Per la documentazione, visitate www.rockwellautomation.com/literature o rivolgetevi al vostro agente commerciale o al rappresentante Rockwell Automation.

注意：製品の資料および追加資料に記載の装置の取付け、構成、操作、または保守に関する資料をお読みになるまでは、この製品の取付け、構成、操作、または保守を行なわないでください。製品の資料を入手するには、Webサイト：<http://www.rockwellautomation.com/literature>にアクセスするか、またはロックウェル・オートメーションの営業または販売代理店までご連絡ください。

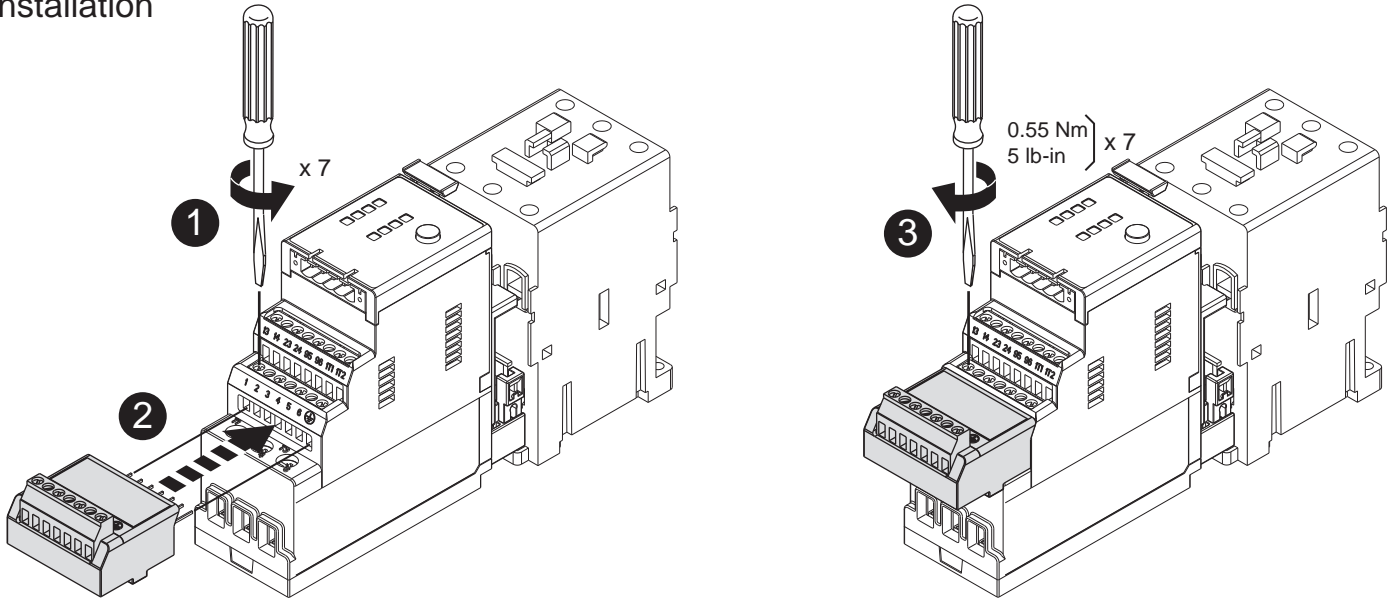
주의 사항: 제품 매뉴얼 혹은 설치, 구성, 가동, 유지와 관련된 추가 지침서를 완전히 숙지하기 전까지 본 제품을 설치 혹은 가동하지 마십시오. 본 제품과 관련된 매뉴얼 혹은 문서를 원하시면 사이트 <http://www.rockwellautomation.com/literature> 를 방문해주시거나 해당 지역의 로크웰 오토메이션 대리점으로 문의하십시오.

注意：若未阅读产品文档以及“其它资源”小节中提及的有关安装、配置、运行或维护设备的相关文档，请勿安装、配置、运行或维护本产品。请访问 <http://www.rockwellautomation.com/literature> 或联系您当地的销售办事处或罗克韦尔自动化代表，以获取产品文档。

Additional Resources:

- 1) Go to <http://www.rockwellautomation.com/literature>;
- 2) Go to Search, select Publication Number type #1, 053-157-01 or 193-UM002

Installation



Terminal Designation	Reference	Description
1	IN 1	General-purpose AC input number 1
2	IN 2	General-purpose AC input number 2
3	IN 3	General-purpose AC input number ①
4	IN 4	General-purpose AC input number ①
5	AC COM	AC supply common
6	AC COM	AC supply common
	EGND	Earth Ground

① Functional only with the E3 Plus Overload Relay

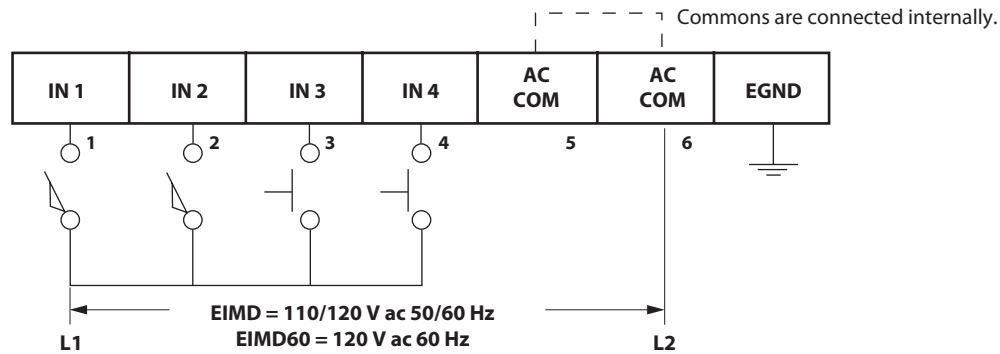
Wire Size and Torque Specifications

	1X	2412 AWG
	2X	2416 AWG
		5 lb-in
	1X	0.25 2.5 mm
	2X	0.50.75 mm
		0.55 Nm
	1X	0.2 4.0 mm
	2X	0.21.5 mm
		0.55 Nm

Wiring Diagram

Basic wiring of input devices is shown below.

WARNING: Be careful when stripping wires. Wire fragments that fall into the module could cause damage at power up. Once wiring is complete, ensure the module is free of all metal fragments. For reliable input signal processing, input wiring shall be routed in raceways separate from power cabling. For distances exceeding 200 M (656 Ft), the use of shielded cable is recommended.



Input Specifications

Catalog Number	193-EIMD	193-EIMD60
Voltage Category	110V / 120V ac	120V ac
Operating Voltage Range	79V ac to 132V ac	79V ac to 132V ac
Frequency Range	47 Hz to 63 Hz	57 Hz to 63 Hz
Number of Inputs	4	4
Heat Dissipation	0.10 W per input	0.10 W per input
Signal Delay (max.)	On Delay: 30 ms Off Delay: 30 ms	On Delay: 30 ms Off Delay: 30 ms
Off-State Voltage (max.)	20V ac	20V ac
Off-State Current (max.)	1.0 mA	1.0 mA
On-State Voltage (min.)	79V ac	79V ac
On-State Current	2.0 mA at 79V ac (min.) 10.0 mA at 132V ac (max.)	2.0 mA at 79V ac (min.) 10.0 mA at 132V ac (max.)
Inrush Current (max.)	150 mA	150 mA
Nominal Impedance	28k ohm at 50 Hz 21k ohm at 60 Hz	21k ohm at 60 Hz
IEC Input Compatibility	Type 1	Type 1

Allen-Bradley, Rockwell Software, and Rockwell Automation are trademarks of Rockwell Automation, Inc. Trademarks not belonging to Rockwell Automation are property of their respective companies.

www.rockwellautomation.com

Power, Control and Information Solutions Headquarters

Americas: Rockwell Automation, 1201 South Second Street, Milwaukee, WI 53204-2496 USA, Tel: (1) 414.382.2000, Fax: (1) 414.382.4444

Europe/Middle East/Africa: Rockwell Automation NV, Pegasus Park, De Kleetlaan 12a, 1831 Diegem, Belgium, Tel: (32) 2 663 0600, Fax: (32) 2 663 0640

Asia Pacific: Rockwell Automation, Level 14, Core F, Cyberport 3, 100 Cyberport Road, Hong Kong, Tel: (852) 2887 4788, Fax: (852) 2508 1846