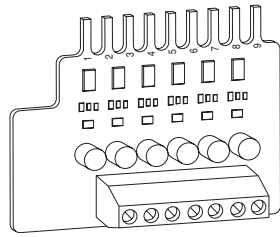
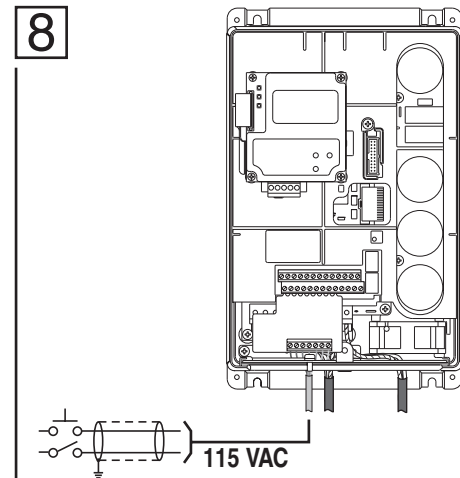
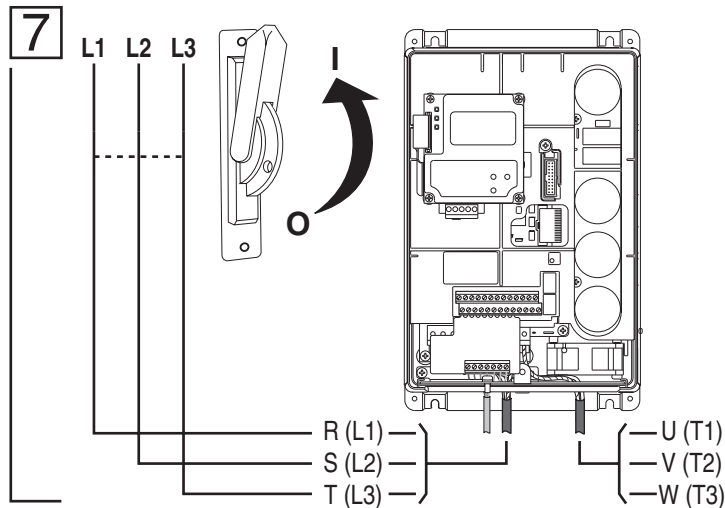
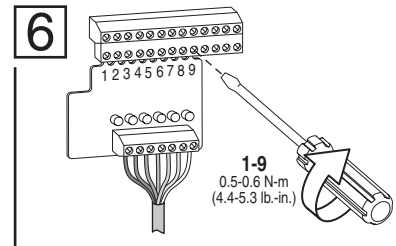
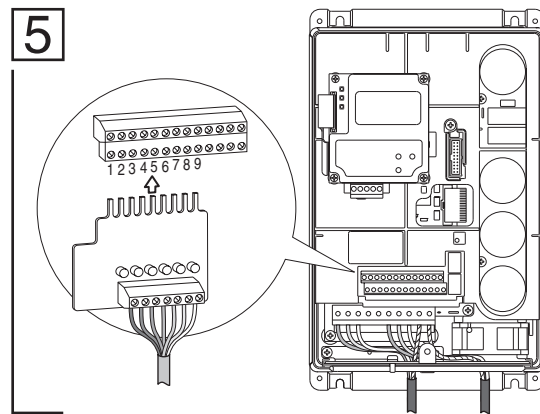
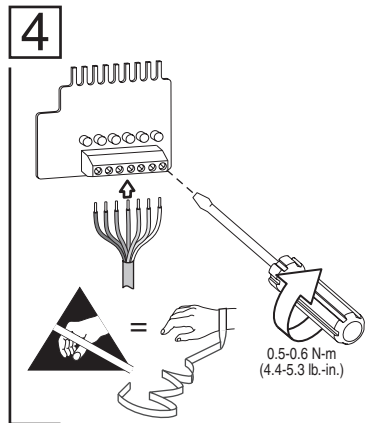
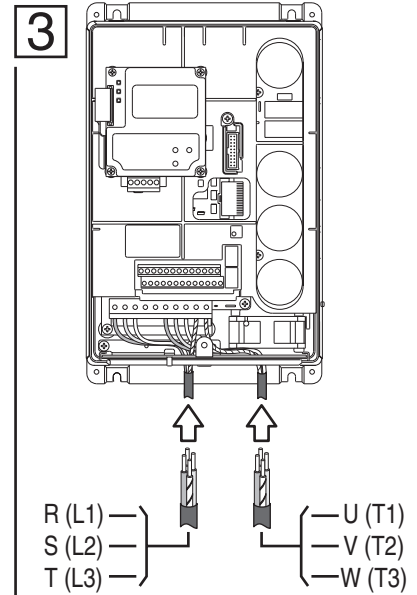
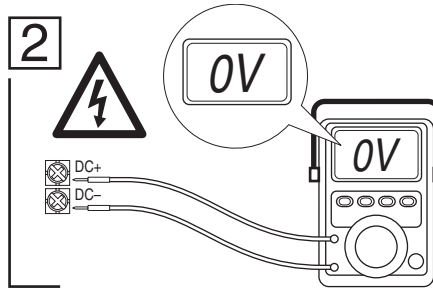
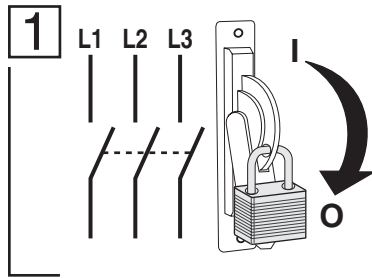



115 Volt AC Interface Card



Installation Instructions

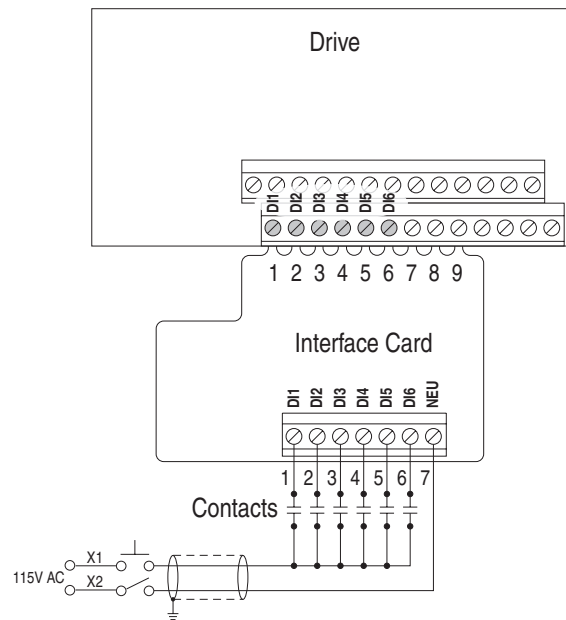


Specifications

Category	Specification	
Electrical Ratings	Input Voltage	115V AC (130V AC Max) @ 50-60 Hz
	Turn-On/Off Voltage	90V AC
	Input Current	3.0 mA
	Maximum Transient Voltage	2.5 kV
Environment	Maximum Surrounding Air Temperature	0 to 50°C (32 to 122°F)
	Storage Temperature	-40 to 85°C (-40 to 185°F)
	Relative Humidity	0 to 95% non-condensing
Agency Certification		

Operation

Closing a Contact asserts the associated Digital Input. For example when Contact 1 is closed Digital Input 1 (DI1) is asserted.



www.rockwellautomation.com



Corporate Headquarters

Rockwell Automation, 777 East Wisconsin Avenue, Suite 1400, Milwaukee, WI, 53202-5302 USA, Tel: (1) 414.212.5200, Fax: (1) 414.212.5201

Headquarters for Allen-Bradley Products, Rockwell Software Products and Global Manufacturing Solutions

Americas: Rockwell Automation, 1201 South Second Street, Milwaukee, WI 53204-2496 USA, Tel: (1) 414.382.2000, Fax: (1) 414.382.4444

Europe/Middle East/Africa: Rockwell Automation SA/NV, Vorstlaan/Boulevard du Souverain 36, 1170 Brussels, Belgium, Tel: (32) 2 663 0600, Fax: (32) 2 663 0640

Asia Pacific: Rockwell Automation, 27/F Citicorp Centre, 18 Whitfield Road, Causeway Bay, Hong Kong, Tel: (852) 2887 4788, Fax: (852) 2508 1846

Headquarters for Dodge and Reliance Electric Products

Americas: Rockwell Automation, 6040 Ponders Court, Greenville, SC 29615-4617 USA, Tel: (1) 864.297.4800, Fax: (1) 864.281.2433

Europe/Middle East/Africa: Rockwell Automation, Brühlstraße 22, D-74834 Elztal-Dallau, Germany, Tel: (49) 6261 9410, Fax: (49) 6261 17741

Asia Pacific: Rockwell Automation, 55 Newton Road, #11-01/02 Revenue House, Singapore 307987, Tel: (65) 6356-9077, Fax: (65) 6356-9011

U.S. Allen-Bradley Drives Technical Support

Tel: (1) 262.512.8176, Fax: (1) 262.512.2222, Email: support@drives.ra.rockwell.com, Online: www.ab.com/support/abdrives

U.S. Reliance Drives Technical Support

Tel: (1) 800.726.8112, Online: www.reliance.com/prodserv/standriv/customer

