

CROSS REFERENCE TO ROCKWELL PART NUMBER 22171-943-01



Interactive product catalog

Dual Rated aluminum Terminals

YA34A3

Type YA-A aluminum tin plated compression HYLUG terminals are dual rated and designed for use on both aluminum and copper conductors from #12 solid through 2000 kcmil. They are designed for heavy duty applications to 35KV. YA-A terminals are prefilled with PENETROX, and assembled with color-coded end caps. Available with one, two, and four hole NEMA tongues, the aluminum HYLUG terminals are designed for a permanent trouble free electrical termination.



Features Selected

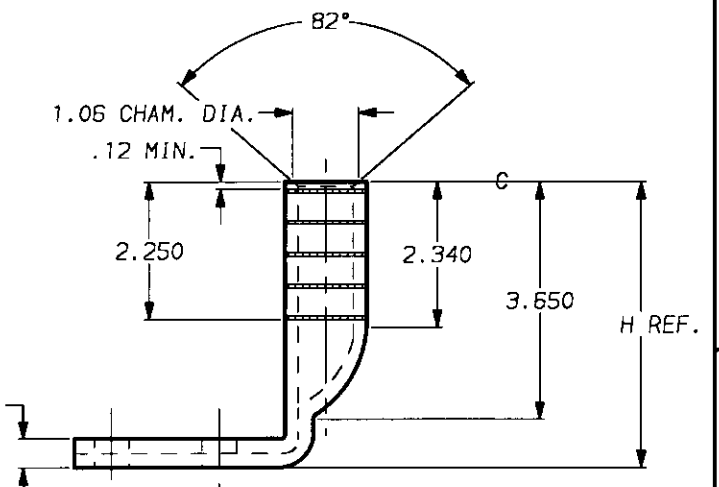
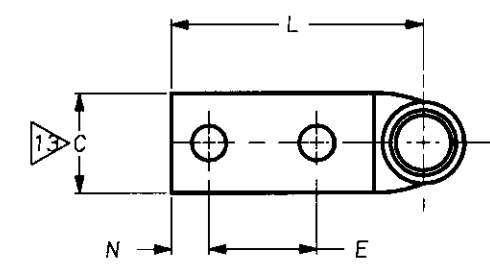
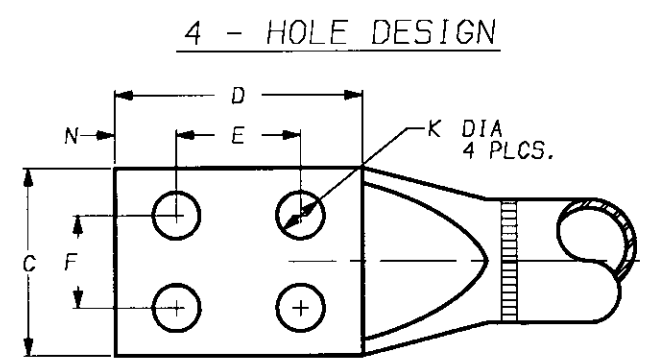
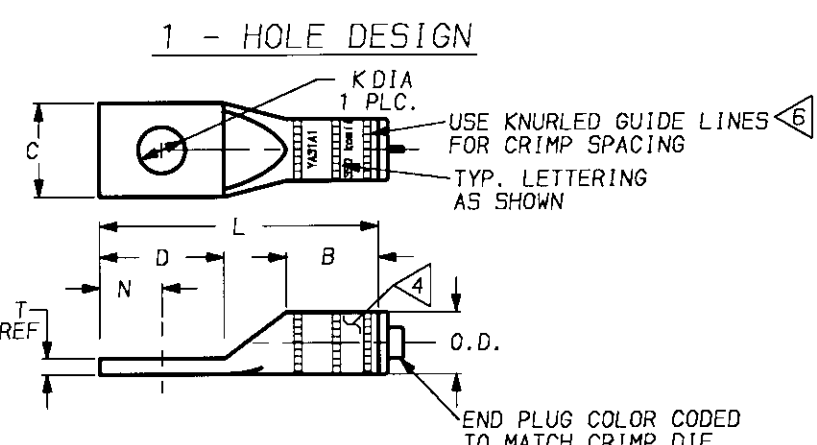
Wire Size	500 kcmil
Stud Hole Size	1/2 in.
Stud Hole Spacing	1-3/4 in.
Tongue Width	1.62 in.

Other Properties

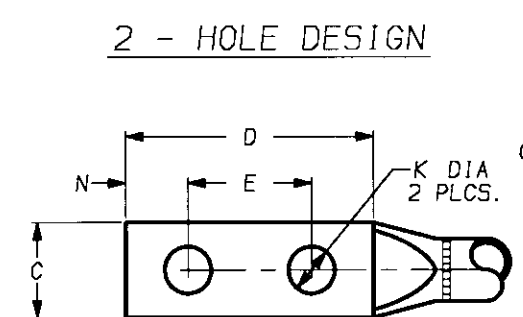
Wire Strip Length	2-5/8 in.
Element A Index	300
UL Listed	yes
CSA Certified	yes



DRAWING NO. SD73935		CONNECTOR DIMENSIONS - LINEAR MEASURE: IN, [mm]											INFORMATION			LISTING							
CATALOG NUMBER	CONDUCTOR		STUD SIZE	NO. OF HOLES	B	C	D	E	F	K DIA.	L	N	O.D.	T REF.	PLATING	COLOR CODE	DIE INDEX #	CONDUCTOR TYPE	APPROVALS FOR TIN PLATED CONNECTORS	H			
	COPPER OR ALUMINUM CONDUCTOR SIZE	NO. OF STRANDS																					
YA31A1	350 kcmil .681ø	37	1/2	1	1.85	1.52	1.37	-	-	.56	4.33	.63	1.11	.39	TIN	BROWN	299	AL9CUHV	UL AND CSA UL Ⓞ Ⓠ	---			
YA31A2					[47]	[39]	[35]	-	-	[14]	[110]	[16]			NONE								
YA31A3			1/2	2	1.85	1.52	3.11	1.75	-	.56	6.07	.63			TIN								
YA31A4					[47]	[39]	[79]	[44]	-	[14]	[154]	[16]			NONE								
YA31A5			3/8	1.85	1.52	1.89	1.00	-	.44	4.85	.44	TIN											
-	[47]	[39]	[48]	[25]	-	[11]	[123]	[11]	NONE														
YA32A1	400 kcmil .728ø	37	5/8	1	2.26	1.62	1.88	-	-	.69	4.92	.88	1.19	.43	TIN	GREEN	472				AL9CUHV	UL AND CSA UL Ⓞ Ⓠ	---
YA32A2					[57]	[41]	[48]	-	-	[18]	[125]	[22]			NONE								
YA32A6			1/2	2	2.26	1.62	1.88	-	-	.56	4.92	.88			TIN								
-					[57]	[41]	[48]	-	-	[14]	[125]	[22]			NONE								
YA32A3			1/2	2.26	1.62	3.11	1.75	-	.56	6.15	.63	TIN											
YA32A4	[57]	[41]	[79]	[44]	-	[14]	[156]	[16]	NONE														
YA32A5	3/8	2.26	1.62	1.89	1.00	-	.44	4.93	.44	TIN													
-	[57]	[41]	[48]	[25]	-	[11]	[125]	[11]	NONE														
YA34A1	500 kcmil .813ø	37	5/8	1	2.34	1.80	1.91	-	-	.69	5.56	.88	1.32	.46	TIN	PINK	300	AL9CUHV	UL AND CSA UL Ⓞ Ⓠ	---			
YA34A2					[59]	[46]	[49]	-	-	[18]	[141]	[22]			NONE								
YA34A7			1/2	2	2.34	1.80	1.37	-	-	.56	5.02	.63			TIN								
-					[59]	[46]	[35]	-	-	[14]	[128]	[16]			NONE								
YA34A3			1/2	2.34	1.62	3.15	1.75	-	.56	6.80	.63	TIN											
YA34A4			[59]	[41]	[80]	[44]	-	[14]	[173]	[16]	NONE												
YA34A5			3/8	2.34	1.80	1.89	1.00	-	.44	5.54	.44	TIN											
-	[59]	[46]	[48]	[25]	-	[11]	[141]	[11]	NONE														
YA34A6	1/2	2.34	1.80	3.15	1.75	-	.56	6.80	.63	NONE													
-	[59]	[46]	[80]	[44]	-	[14]	[173]	[16]	-														
YA34A390	1/2	2.34	1.62	3.15	1.75	-	.56	4.09	.63	TIN													
-	[59]	[41]	[80]	[44]	-	[14]	[104]	[16]	[12]	-													



- NOTES:**
- ALL HYLUGS ACCOMMODATE U.S. STANDARD WASHERS
 - REMOVE ALL EXCESS PENETROX™ FROM CONNECTOR AND ADJACENT CONDUCTOR PRIOR TO TAPING.
 - APPROVALS APPLY TO TIN PLATED CONNECTORS ONLY.
 - CONNECTOR BARRELS PREFILLED WITH PENETROX™.
 - THE SAME SIZE COMPACT CONDUCTOR AS THE CONCENTRIC CAN BE ACCOMMODATED IN ADDITION TO THE CONDUCTOR ACCOMMODATIONS MARKED ON THE CONNECTOR.
 - NUMBER OF CRIMPS ARE LISTED FOR EACH SIZE AND DIE COMBINATION ON STUFFER SHEET THAT IS PACKED WITH EACH BOX OF CONNECTORS.
 - DIMENSIONS IN BRACKETS [] ARE IN MILLIMETERS ROUNDED OFF TO THE NEAREST MILLIMETER, UNLESS OTHERWISE NOTED, AND ARE FOR REFERENCE ONLY.
 - NO-OX-ID "A" COATED TO PREVENT FORMATION OF OXIDATION.
 - CAN BE MOUNTED SIDE BY SIDE ON 4-HOLE NEMA PAD.



UNINSULATED COMPRESSION TERMINAL MATERIAL: ALUMINUM TUBE

27	2/5/99	ADDED CAT. NO. YA34A390 AND COLUMN H TO TABLE PER (ECO 4772).	BM	PL
26	05-SEP-95	REF PGN 2430, ADDED MKTG. & Q.A. APP. SIGNATURES REBRAND TO CAD & ADDED METRIC	D.D.	J.M.
REV.	DATE	DESCRIPTION	BY	C'K'D.

HYLUG™

CAT NO: YA - - - A - -	SEE TABLE ABOVE	SCALE NTS
DRAWN: E.S.K.	7-21-72	CHECKED: S.F.P. 8-1-72
DSGN APPL: R.B. 8-2-72	MFG APPL: N/A	
Q.A. APPL: DAVE VARIO 6/19/95	MKTG APPL: P WERTHMAN 6/16/95	
CAD FILE: SD73935-04_27	PH REF: N/A	
FRAMATOME CONNECTORS USA INC.	MDL REF: N/A	
BURNBY ELECTRICAL	PROJECT:	
MANCHESTER, NH 03108	DRAWING NO.	REV
U. S. A.	SD73935	27
1-800-346-4175	SHEET 4 OF 7	

REV. 061995