

Color-Keyed®

**T&B Catalog Number:****60275****UPC Number:**

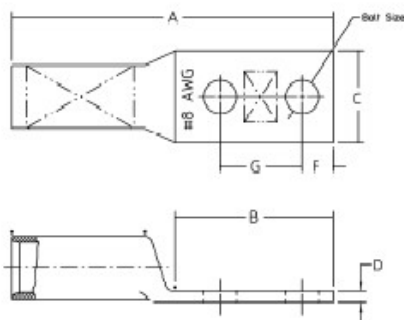
78621060275

Description:

Aluminum Two-Hole Lug - Straight Long Barrel - max 35KV, 600 kcmil Wire, 1/2" Bolt Size, 1 3/4" Hole Spacing, Tin Plated Blind End, Black 106H

Status:

Active

**General**

| | |
|-------------------|------------|
| Material | Aluminum |
| Finish | Tin Plated |
| Wire Size | 600 kcmil |
| Number of Studs | 2 |
| Stud Size | 1/2 |
| Bolt Hole Spacing | 1 3/4 |
| Tongue Angle | Straight |
| Barrel Length | Long |
| Barrel Shape | Standard |
| Tongue Width | Standard |
| Peep Hole | N |
| Marking | Standard |
| Hole Shape | Round |
| Die Color | Black |
| Die Code | 106H |

Dimension Information

| | |
|------------|------|
| A (inches) | 6.83 |
| B (inches) | 3 |
| C (inches) | 1.92 |
| D (inches) | 0.37 |
| E (inches) | 1.36 |
| F (inches) | 0.5 |
| G (inches) | 1.75 |

Packaging

| | |
|--------------------|-----------------|
| T&B Order Multiple | 2 |
| T&B Inner Pack | 2 |
| Package in Units | 20 |
| T&B Sold in UOM | Each |
| T&B Weight Per UOM | 66 lbs. per 100 |

Application Support

| | |
|---------------------------|----------------------|
| T&B Instruction Sheets | ta00880-tb2 |
| Overview | Available on Website |
| Connector & Tooling Chart | Available on Website |

Notes

Dimensions given for reference only. Dimensions may vary up to +/- .030.

Certifications

| | |
|-----------------|-----|
| RoHS Compliance | Yes |
|-----------------|-----|

Certifications



File Nbr:
E9809

For further technical assistance, please contact us...

Thomas & Betts - USA
8155 T&B Blvd.
Memphis, TN 38125
www.tnb.com

T&B Technical Support
MS 3B-50
8155 T&B Blvd.
Memphis, TN 38125

Hours: 7AM - 6PM CDT
Monday-Friday
Phone: (888) 862-3289
Fax: (901) 252-1321
Email: techsupport@tnb.com