



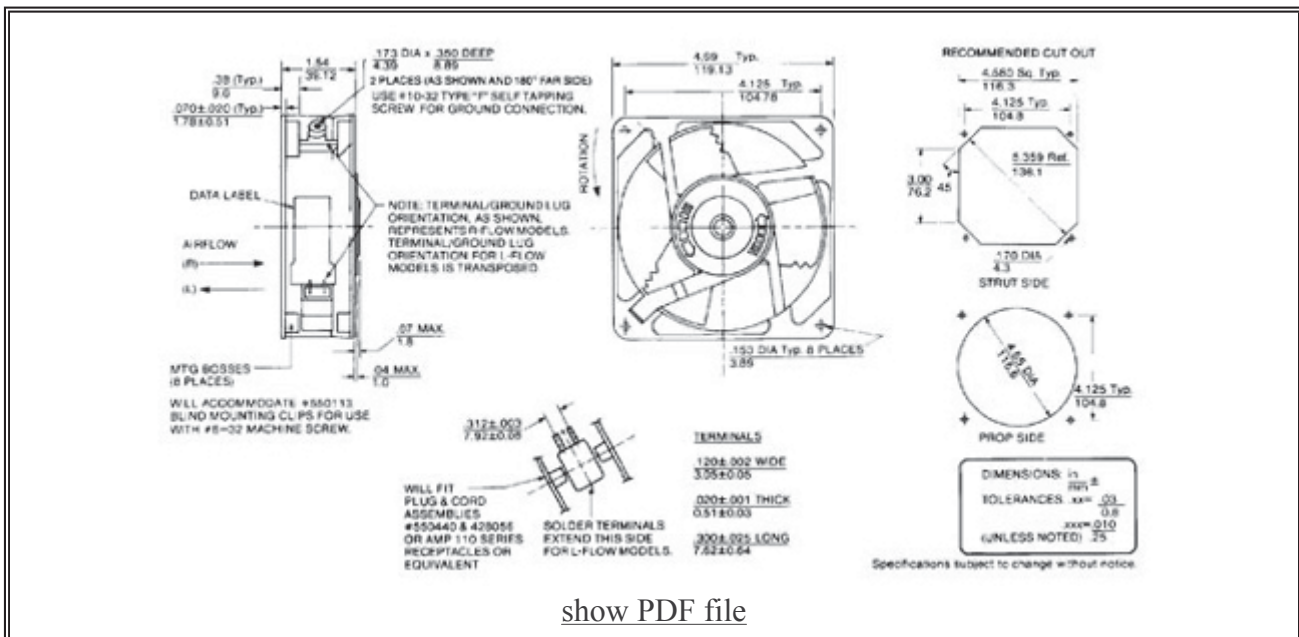
# Muffin XL AC (AC Fan)

COMAIR ROTRON PART NUMBER: **028422**  
 COMAIR ROTRON MODEL NUMBER: **MX2B3**



MOTOR	
Rated Voltage:	115
Operating Voltage Range:	
Running Current: 50Hz   60Hz (amps)	0.2   0.18
Locked Rotor Current: (amps)	0.27
Rated Power: 50Hz   60Hz (watts)	17   15
Nominal Speed: 50Hz   60Hz (rpm)	2700   3100

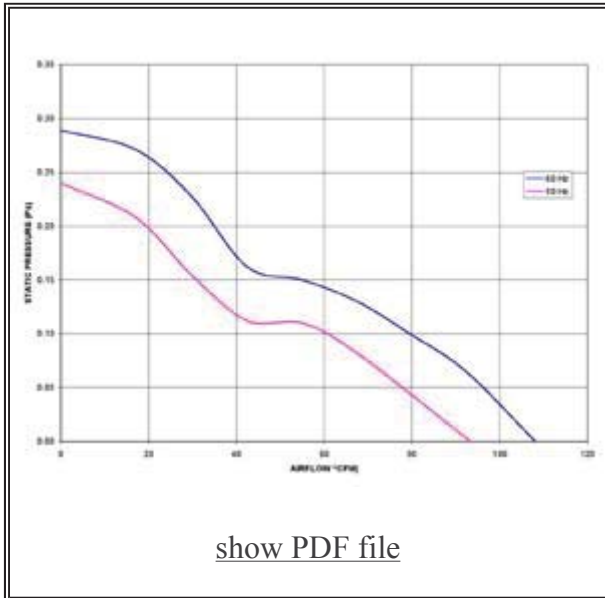
MECHANICAL	
Dimensions:	120mm x 38mm (4.72in x 1.50in)
Bearing Type:	Ball
Motor Base:	Metal
Propeller:	Polypropylene, Feathered Edge™



[show PDF file](#)

NOTES

Intake Over Struts



PERFORMANCE CHARACTERISTICS

Air Flow: (CFM) 95/110

Static Pressure: .230/.291

TERMINATION

Leadwires: Terminals

SAFETY



All product names are used under license and are trademarks or registered trademarks of Comair Rotron, Inc.