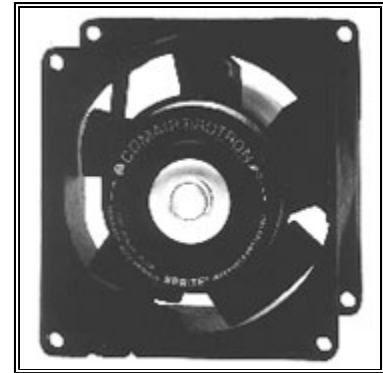




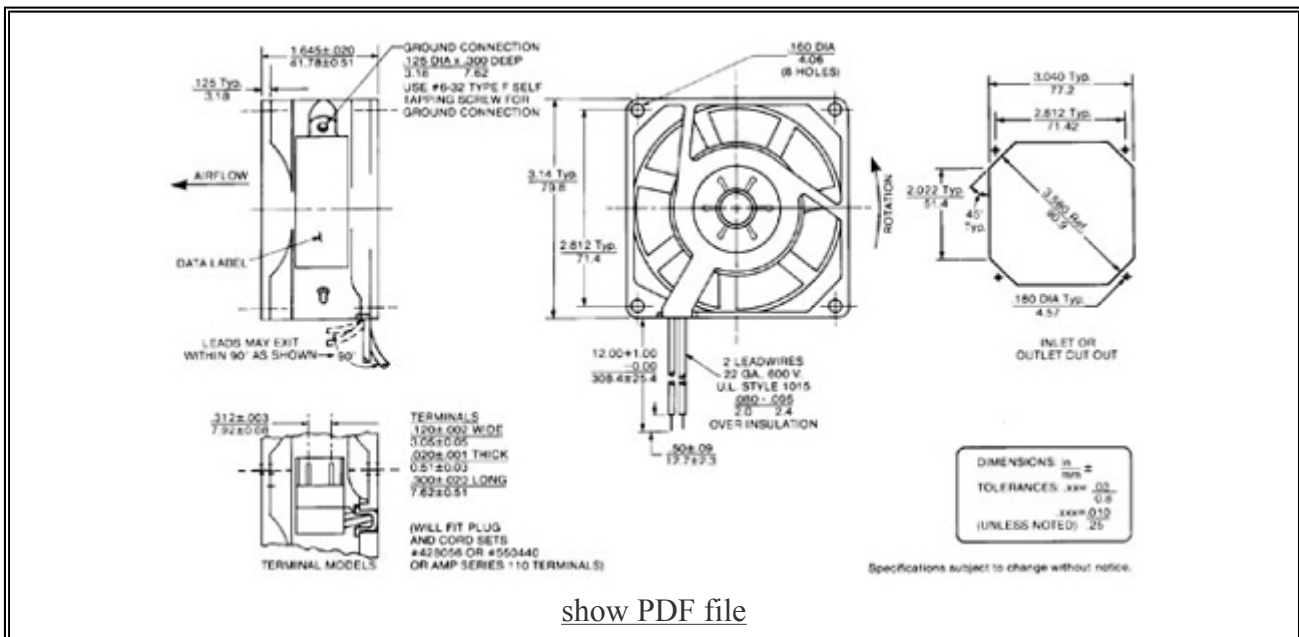
Sprite AC (AC Fan)

COMAIR ROTRON PART NUMBER: **028281**
 COMAIR ROTRON MODEL NUMBER: **SU2C5**



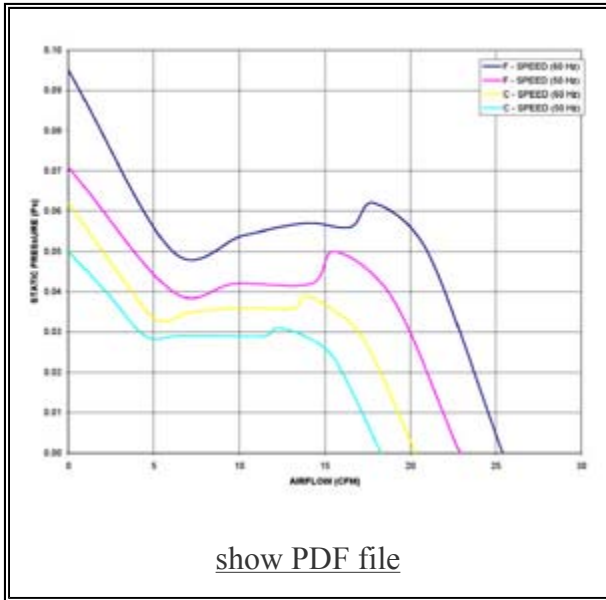
MOTOR	
Rated Voltage:	115
Operating Voltage Range:	
Running Current: 50Hz 60Hz (amps)	0.07 0.06
Locked Rotor Current: (amps)	0.07
Rated Power: 50Hz 60Hz (watts)	6 6
Nominal Speed: 50Hz 60Hz (rpm)	1800 1900

MECHANICAL	
Dimensions:	80mm x 42mm (3.15in x 1.645in)
Bearing Type:	Sleeve
Motor Base:	Metal
Propeller:	Polypropylene



[show PDF file](#)

NOTES



PERFORMANCE CHARACTERISTICS

Air Flow: (CFM)	18/20
Static Pressure:	.050/.062

TERMINATION

Leadwires:	Terminals
------------	-----------

SAFETY



All product names are used under license and are trademarks or registered trademarks of Comair Rotron, Inc.