

## Termination Hardware

### End Cap Kit

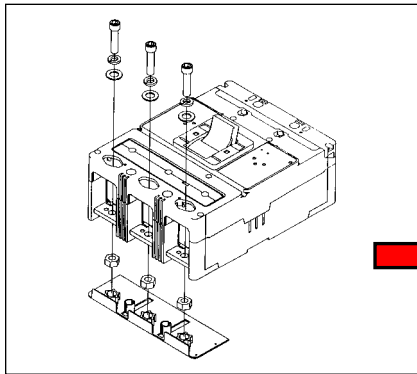


Figure 45-27. End Cap Kit

The End Cap Kit slides onto the line or load conductor of the circuit breaker and acts as a threaded adapter for the conductor to accept a ring terminal or other bolt-on connector. The end cap kit is available with English and metric thread sizes. (Field installation only.) Listed per UL File E7819.

Table 45-228. End Cap Kit

Thread Type	Thread Size	Catalog Number	Price U.S. \$
<b>2-Pole F-Frame (225 A)</b>			
Imperial	10-32	KPEK12	
Metric	M-5	KPEKM12	
<b>3-Pole F-Frame (225 A)</b>			
Imperial	10-32	KPEK1	
Metric	M-5	KPEKM1	
<b>4-Pole F-Frame (225 A)</b>			
Imperial	10-32	KPEK14	
Metric	M-5	KPEKM14	
<b>3-Pole J-Frame</b>			
Imperial	.312-18	KPEK2	
Metric	M-8	KPEKM2	
<b>4-Pole J-Frame</b>			
Imperial	.312-18	KPEK24	
Metric	M-8	KPEKM24	
<b>3-Pole K-Frame</b>			
Imperial	.312-18	KPEK3	
Metric	M-8	KPEKM3	
<b>4-Pole K-Frame</b>			
Imperial	.312-18	KPEK34	
Metric	M-8	KPEKM34	
<b>3-Pole L-Frame</b>			
Imperial	.312-18	KPEK4	
Metric	M-8	KPEKM4	
<b>4-Pole L-Frame</b>			
Imperial	.312-18	KPEK44	
Metric	M-8	KPEKM44	

### Keeper Nut

The Keeper Nut slides onto the line or load conductor of the circuit breaker and acts as a threaded adapter for the conductor to accept a ring terminal or other bolt-on connector. The keeper nut is available with English and metric thread sizes. Screws and washers are supplied by customer. (Field installation only.) Listed per UL File E7819.

Table 45-229. F-Frame Keeper Nut

Thread Type	Thread Size	Catalog Number	Price U.S. \$
		Package of 12 (Priced Individually)	
Imperial	10-32	KPR1A	
Metric	M-5	KPR1AM	

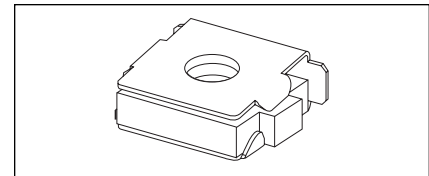


Figure 45-28. F-Frame Keeper Nut

Table 45-230. K-Frame Keeper

Thread Type	Thread Size	Line/Load End	Catalog Number	Price U.S. \$
			Package of 3	
Imperial	.375-16	Line Load	KPR3A	
			KPR3B	
Metric	M-8	Line Load	KPR3AM	
			KPR3BM	

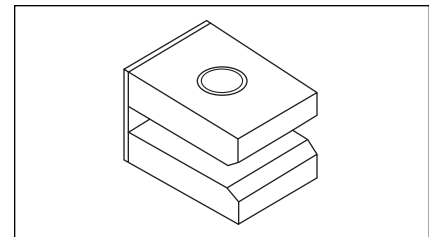


Figure 45-29. K-Frame Keeper Nut

### L-Frame

Not required. Terminals are threaded.