

12.3

Molded Case Circuit Breakers

Series C

CROSS REFERENCE RA PART # 25109-358-02

Accessories Selection Guide and Ordering Information

Line and Load Terminals

Eaton's line and load terminals provide wire connecting capabilities for specific ranges of continuous current ratings and wire types. All terminals comply with Underwriters Laboratories Standards UL 486A and UL 486B and CSA Standard C22.2 No. 65M. Unless otherwise specified,

L-Frame circuit breaker line and load terminals are shipped separately for field installation.

The wire connecting terminal is secured with two pan-head, slotted screws and lockwashers that can be checked for the correct torque loading or retightened from the front of the circuit

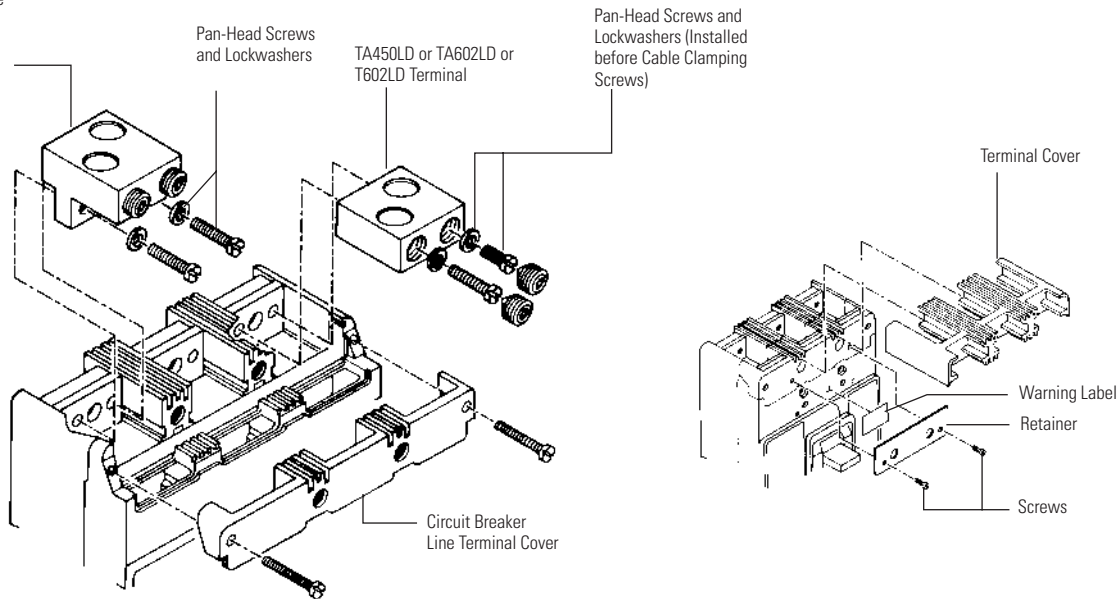
breaker before installation of the conductors. (Applies to all styles.) The circuit breaker line/load terminal conductors are positioned in the conducting holes in the wire connecting terminal and are secured with recessed socket screws that are tightened to the correct torque loading from the front of the circuit breaker.

Ordering Information

L-Frame circuit breakers use Cu/Al terminals as standard. When optional copper terminals are required, order by catalog Number. Specify if factory installation is required.

Terminals

TA401LD or TA603LD Terminal (Step-Type Terminal Requires Terminal Cover and Warning Label. See Inset.)



Line and Load Terminals

Maximum Breaker Amperes	Terminal Body Material	Wire Type	AWG Wire Range/Number of Conductors	Metric Wire Range mm ²	Terminal Poles	Catalog Number	Terminals with Control Wire Termination Catalog Number
Standard Cu/Al Pressure Terminals							
400	Aluminum	Cu/Al	4/0-600 (1)	120-300	Two-pole kit ①	2TA401LDK	—
400	Aluminum	Cu/Al	4/0-600 (1)	120-300	Three-pole kit ①	3TA401LDK	—
400	Aluminum	Cu/Al	4/0-600 (1)	120-300	Four-pole kit ①	4TA401LDK	—
450	Aluminum	Cu/Al	4-4/0 (2)	25-95	②	TA450LD	—
500	Aluminum	Cu/Al	3/0-350 (2)	95-150	②	TA602LD	TA602LDCW
600	Aluminum	Cu/Al	400-500 (2)	185-240	Two-pole kit ①	2TA603LDK	2TA603LDKCW
600	Aluminum	Cu/Al	400-500 (2)	185-240	Three-pole kit ①	3TA603LDK	3TA603LDKCW
600	Aluminum	Cu/Al	400-500 (2)	185-240	Four-pole kit ①	4TA603LDK	4TA603LDKCW
Optional Copper and Cu/Al Pressure Type Terminals							
600	Copper	Cu	250-350 (2)	120-250	②	T602LD	T602LDCW

Notes

- ① Terminal kits contain one terminal for each pole and one terminal cover.
- ② Individually packed.