

# VSP

## SURGE SUPPRESSION FUSES



Ferraz Shawmut surge suppression fuses are specially designed to address the protection of TVSS systems. The surge suppression fuses have been specially designed to withstand 8x20  $\mu$ Sec surge pulses without opening, allowing the TVSS system to react to the surge. All surge suppression fuses have a 8x20  $\mu$ Sec surge rating, not a continuous current rating. Under AC short circuit conditions these surge suppression fuses are very current limiting.

### Features/Benefits

- **VSP fuses** rated 600VAC, 200kA I.R.
- **Surge Ratings** of 5-100kA 8 x 20  $\mu$ Sec
- **Designed** to help meet UL1449 Second Edition Requirements
- **Various Mounting Configurations**  
Ferrules, Blade, Bolt in

### Ratings

- 5-100 kA 8x20  $\mu$ Sec Waveform  
600 VAC, 200 kA I.R.

### Approvals

- UL Recognized Component
- File E60314, Vol.3  
Special Purpose  
MOV Protector

### APPLICATION:

- Protection of TVSS Devices
- Coordination with other protection devices



CATALOG NUMBER	8X20 $\mu$ SEC SURGE RATING	MELTING $I^2t$ (A <sup>2</sup> s)	CLEARING $I^2t$ (A <sup>2</sup> s)	$I_{PEAK}$ @ 100KA, 60 Hz (A)
VSP5	5,000	341	936	3,652
VSP10	10,000	1,541	3,744	5,794
VSP15	15,000	3,072	8,424	7,591
VSP20	20,000	4,992	14,400	9,194
VSP30	30,000	12,507	33,696	12,044
VSP40	40,000	19,543	59,904	14,588
VSP50	50,000	32,020	93,600	16,925
VSP60	60,000	42,808	134,784	19,110
VSP70	70,000	61,152	183,456	21,176
VSP80	80,000	79,872	239,616	23,146
VSP90	90,000	99,000	303,264	25,034
VSP100	100,000	121,500	374,400	26,854



### Recommended Fuse Blocks for VSP Fuses

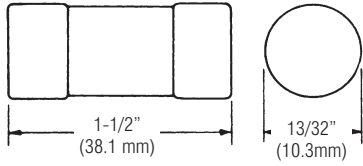
#### VSP(5-20)-2

NUMBER OF POLES	SCREW WITH DOUBLE QUICK CONNECTS	PRESSURE PLATE WITH DOUBLE QUICK CONNECTS	COPPER BOX CONNECTOR
ADDER	30310	30320	30350
1	30311	30321	30351
2	30312	30322	30352
3	30313	30323	30353

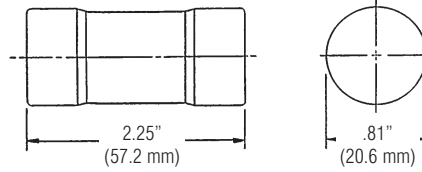
#### VSP(30-100)-2

NUMBER OF POLES	BOX	SCREW	PRESSURE PLATE
ADDER	60305J	60315J	60325J
1	60306J	60316J	60326J
2	60307J	60317J	60327J
3	60308J	60318J	60328J

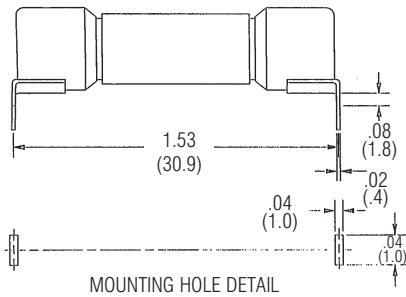
### Dimensions:



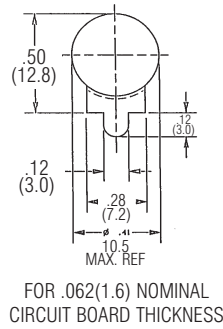
**VSP(5-20)-2**



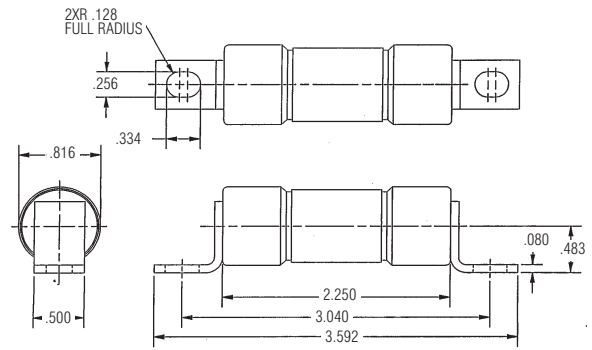
**VSP(30-100)-2**



**VSP(5-20)**



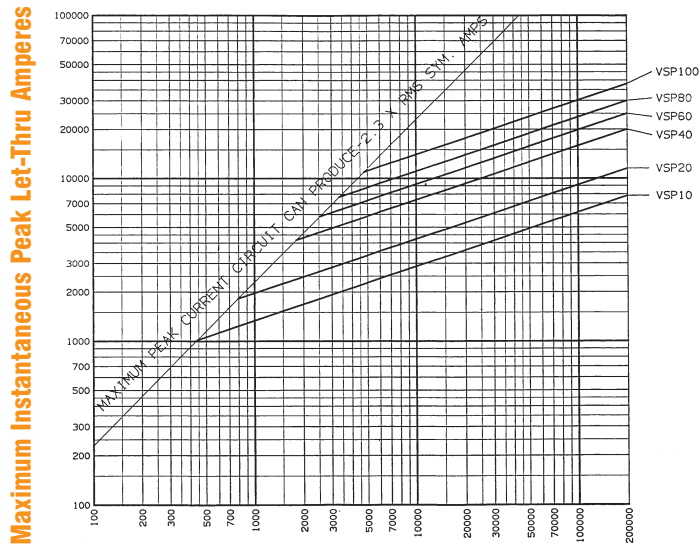
FOR .062(1.6) NOMINAL  
CIRCUIT BOARD THICKNESS



**VSP(30-100)**



### Peak Let-Thru Current Data



Available Current in RMS Symmetrical Amperes