

# VSP

## SURGE SUPPRESSION FUSES



Ferraz Shawmut surge suppression fuses are specially designed to address the protection of TVSS systems. The surge suppression fuses have been specially designed to withstand 8x20  $\mu$ Sec surge pulses without opening, allowing the TVSS system to react to the surge. All surge suppression fuses have a 8x20  $\mu$ Sec surge rating, not a continuous current rating. Under AC short circuit conditions these surge suppression fuses are very current limiting.

### Features/Benefits

- **VSP fuses** rated 600VAC, 200kA I.R.
- **Surge Ratings** of 5-100kA 8 x 20  $\mu$ Sec
- **Designed** to help meet UL1449 Second Edition Requirements
- **Various Mounting Configurations**  
Ferrules, Blade, Bolt in

### Ratings

- 5-100 kA 8x20  $\mu$ Sec Waveform  
600 VAC, 200 kA I.R.

### Approvals

- UL Recognized Component
- File E60314, Vol.3  
Special Purpose  
MOV Protector

### APPLICATION:

- Protection of TVSS Devices
- Coordination with other protection devices



| CATALOG NUMBER | 8X20 $\mu$ SEC SURGE RATING | MELTING $I^2t$ (A <sup>2</sup> s) | CLEARING $I^2t$ (A <sup>2</sup> s) | $I_{PEAK}$ @ 100KA, 60 Hz (A) |
|----------------|-----------------------------|-----------------------------------|------------------------------------|-------------------------------|
| VSP5           | 5,000                       | 341                               | 936                                | 3,652                         |
| VSP10          | 10,000                      | 1,541                             | 3,744                              | 5,794                         |
| VSP15          | 15,000                      | 3,072                             | 8,424                              | 7,591                         |
| VSP20          | 20,000                      | 4,992                             | 14,400                             | 9,194                         |
| VSP30          | 30,000                      | 12,507                            | 33,696                             | 12,044                        |
| VSP40          | 40,000                      | 19,543                            | 59,904                             | 14,588                        |
| VSP50          | 50,000                      | 32,020                            | 93,600                             | 16,925                        |
| VSP60          | 60,000                      | 42,808                            | 134,784                            | 19,110                        |
| VSP70          | 70,000                      | 61,152                            | 183,456                            | 21,176                        |
| VSP80          | 80,000                      | 79,872                            | 239,616                            | 23,146                        |
| VSP90          | 90,000                      | 99,000                            | 303,264                            | 25,034                        |
| VSP100         | 100,000                     | 121,500                           | 374,400                            | 26,854                        |

### Recommended Fuse Blocks for VSP Fuses

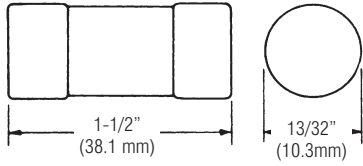
#### VSP(5-20)-2

| NUMBER OF POLES | SCREW WITH DOUBLE QUICK CONNECTS | PRESSURE PLATE WITH DOUBLE QUICK CONNECTS | COPPER BOX CONNECTOR |
|-----------------|----------------------------------|---|----------------------|
| ADDER           | 30310                            | 30320                                     | 30350                |
| 1               | 30311                            | 30321                                     | 30351                |
| 2               | 30312                            | 30322                                     | 30352                |
| 3               | 30313                            | 30323                                     | 30353                |

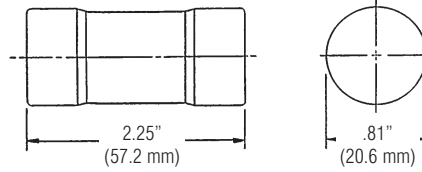
#### VSP(30-100)-2

| NUMBER OF POLES | BOX    | SCREW  | PRESSURE PLATE |
|-----------------|--------|--------|----------------|
| ADDER           | 60305J | 60315J | 60325J         |
| 1               | 60306J | 60316J | 60326J         |
| 2               | 60307J | 60317J | 60327J         |
| 3               | 60308J | 60318J | 60328J         |

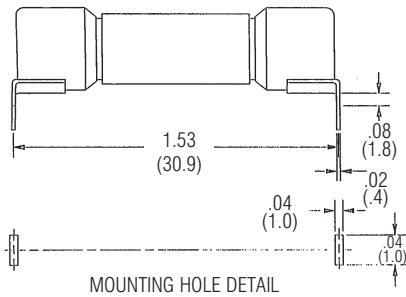
### Dimensions:



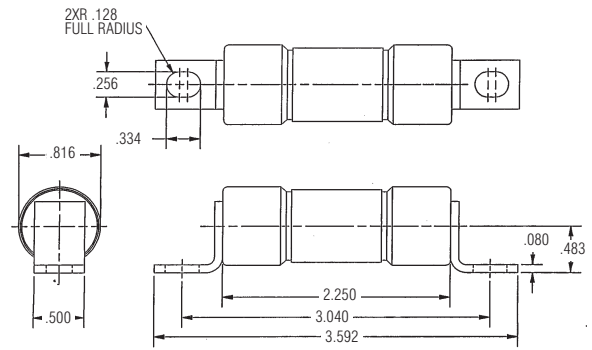
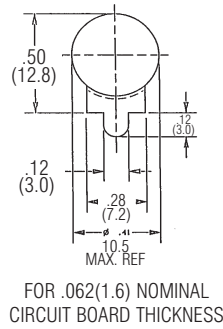
**VSP(5-20)-2**



**VSP(30-100)-2**

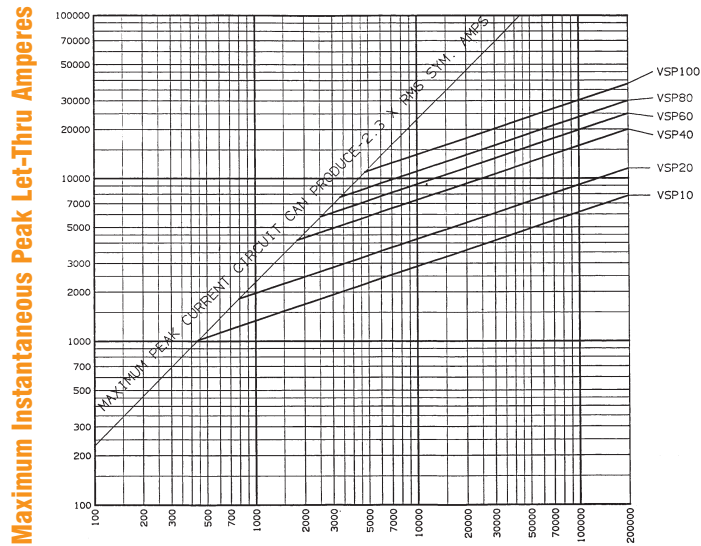


**VSP(5-20)**



**VSP(30-100)**

### Peak Let-Thru Current Data



**Available Current in RMS Symmetrical Amperes**