

# VSP MOV Protector Fuse

## Surge Suppression Fuses

Mersen surge suppression fuses are specially designed to address the protection of SPD systems. Our surge suppression fuses have been specially designed to withstand 8x20  $\mu$ Sec surge pulses without opening, allowing the SPD system to react to the surge. All surge suppression fuses have a 8x20  $\mu$ Sec surge rating, not a continuous current rating. Under AC short circuit conditions these surge suppression fuses are very current limiting.

### Features/Benefits:

- VSP fuses rated 600VAC, 200kA I.R.
- Surge ratings of 5-100kA 8 x 20  $\mu$ Sec capacity
- Various mounting configurations ferrules, blade, bolt-in, pc board mount

### Applications:

- Protection of surge protection devices (SPD)
- Coordination with other protection devices

## Catalog Numbers

Catalog No. (Connection Suffix)	Voltage Rating (AC)	8x20 $\mu$ SEC Surge Rating	Melting I <sup>2</sup> t (A2S)	Clearing I <sup>2</sup> t (A2S)	I <sub>PEAK</sub> @ 100kA 60 Hz (A)
VSP5-2,-R,-H,-S	600V	5,000	341	936	3,652
VSP10-2,-R,-H,-S	600V	10,000	1,541	3,744	5,794
VSP15-2,-R,-H,-S	600V	15,000	3,072	8,424	7,591
VSP20-2,-R,-H,-S	600V	20,000	4,992	14,400	9,194
VSP30, -2	600V	30,000	12,507	33,696	12,044
VSP40, -2	600V	40,000	19,543	59,904	14,588
VSP50, -2	600V	50,000	32,020	93,600	16,925
VSP60, -2	600V	60,000	42,808	134,784	19,110
VSP70, -2	600V	70,000	61,152	183,456	21,176
VSP80, -2	600V	80,000	79,872	239,616	23,146
VSP90, -2	600V	90,000	99,000	303,264	25,034
VSP100, -2	480V	100,000	121,500	374,400	26,854
VSP100-XL	600V	100,000	121,500	374,400	26,854



### Ratings

Volts : 600V AC

### Surge Rating

: 5-100kA 8x20  $\mu$ Sec  
600 VAC

I.R. : 200kA I.R. AC

### Approvals

- UL Recognized Component  
File E60314, Vol.3 Special  
Purpose MOV Protector



## Recommended Fuse Blocks for VSP Fuses

### VSP(5-20)-2

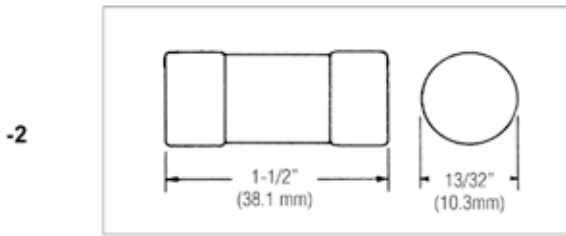
Number of Poles	Screw with Double Quick Connects	Pressure Plate with Double Quick Connects	Copper Box Connector
ADDER	30310	30320	30350
1	30311	30321	30351
2	30312	30322	30352
3	30313	30323	30353

### VSP(30-100)-2

Number of Poles	Catalog Number		
ADDER	60305J	60315J	60325J
1	60306J	60316J	60326J
2	60307J	60317J	60327J
3	60308J	60318J	60328J

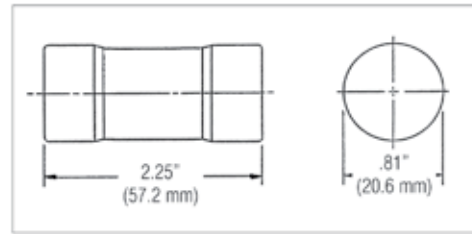
# VSP MOV Protector Fuse

VSP (5-20)-2,R,H,S

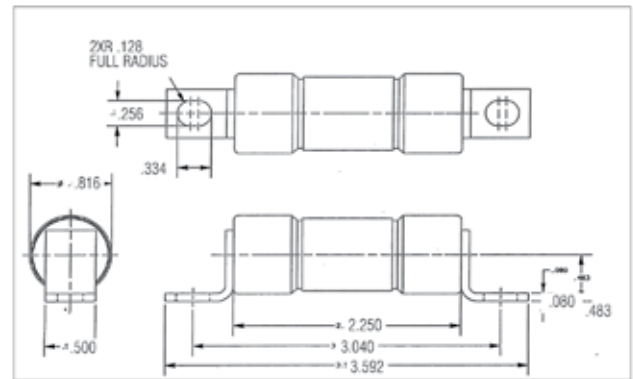
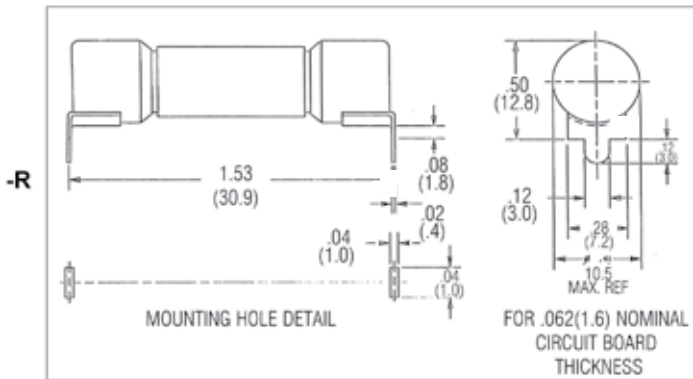


PC BOARD MOUNTING

VSP (30-100)-2



VSP30-100



VSP100-XL

