

AJT

TIME DELAY / CLASS J



SMARTSPOT™ WITH MAXIMUM CIRCUIT PROTECTION

Amp-trap 2000® SmartSpot™ AJT fuses now provide a visual open fuse indicator. With advanced material technology added to the existing product line the AJT fuse provides IEC Type “2” (No Damage) protection to main, feeder, and branch circuits, for all types of loads — yet, they require only half the mounting space needed for 600VAC Class RK fuses. AJT’s time delay characteristics for handling harmless in-rush currents, its current limiting ability (the most current limiting UL fuse class!), and wide range of ratings (from 1 to 600 Amperes) — give excellent protection for all your applications.

Features/Benefits

- **Solid State SmartSpot Indicator**
- **Time delay** for motor starting and transformer inrush
- **300kA interrupting rating** - self-certified, UL witnessed tests
- **Extremely current limiting** for low peak let-thru current
- **Most current limiting UL class fuse**
- **Small footprint** requires less mounting space and allows smaller, more economical fuse blocks
- **Easy 2-to-1 selectivity** for prevention of nuisance shutdowns
- **Unique Class J dimensions** prevent replacement errors
- **High-visibility orange label** gives instant recognition
- **Metal-embossed date and catalog number** for traceability and lasting identification
- **Fiberglass body** provides dimensional stability in harsh industrial settings
- **High-grade silica filler** ensures fast arc quenching
- **Optional EI Indicator/Switch mount** for AJT70 to 600 open fuse indication

HIGHLIGHTS:

- Smart Spot Indicator
- Time Delay
- Highly Current Limiting
- DC Ratings
- Optional Mechanical Indicator (70 to 600A fuses)

APPLICATIONS:

- Motor Circuits
- Mains
- Feeders
- Branch Circuits
- Lighting, Heating & General Loads
- Transformers
- Control Panels
- Circuit Breaker Back-up
- Bus Duct
- Load Centers

Ratings

- **AC:** 1 to 600A
600VAC, 200kA I.R.
(self certified for 600VAC, 300kA I.R., UL witnessed)

DC: 1 to 600A
500VDC, 100kA I.R.

Approvals

AJT (1-600):

- UL Listed to Standard 248-8
- DC Listed to UL Standard 198L
- CSA Certified to Standard C22.2 No. 248.8
- IEC 269-2-1

AJT (70-600) EI:

- UL Component Recognized
- DC Tested to UL Standard 198L



TIME DELAY / CLASS J FUSES

AJT

Standard Fuse Ampere Ratings, Catalog Numbers

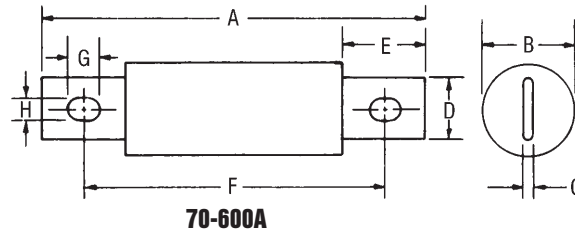
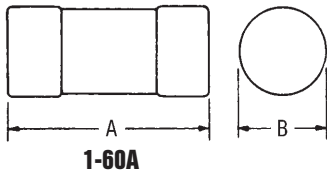
| AMPERE RATING | CATALOG NUMBER | AMPERE RATING | CATALOG NUMBER | AMPERE RATING | CATALOG NUMBER | AMPERE RATING | CATALOG NUMBER |
|---------------|----------------|---------------|----------------|---------------|----------------|---------------|----------------|
| 1 | AJT1 | 4-1/2 | AJT4-1/2 | 25 | AJT25 | 125 | AJT125 |
| 1-1/4 | AJT1-1/4 | 5 | AJT5 | 30 | AJT30 | 150 | AJT150 |
| 1-1/2 | AJT1-1/2 | 5-6/10 | AJT5-6/10 | 35 | AJT35 | 175 | AJT175 |
| 1-6/10 | AJT1-6/10 | 6 | AJT6 | 40 | AJT40 | 200 | AJT200 |
| 1-8/10 | AJT1-8/10 | 6-1/4 | AJT6-1/4 | 45 | AJT45 | 225 | AJT225 |
| 2 | AJT2 | 7 | AJT7 | 50 | AJT50 | 250 | AJT250 |
| 2-1/4 | AJT2-1/4 | 8 | AJT8 | 60 | AJT60 | 300 | AJT300 |
| 2-1/2 | AJT2-1/2 | 9 | AJT9 | 70 | AJT70 | 350 | AJT350 |
| 2-8/10 | AJT2-8/10 | 10 | AJT10 | 80 | AJT80 | 400 | AJT400 |
| 3 | AJT3 | 12 | AJT12 | 90 | AJT90 | 450 | AJT450 |
| 3-2/10 | AJT3-2/10 | 15 | AJT15 | 100 | AJT100 | 500 | AJT500 |
| 3-1/2 | AJT3-1/2 | 17-1/2 | AJT17-1/2 | 110 | AJT110 | 600 | AJT600 |
| 4 | AJT4 | 20 | AJT20 | | | | |

Recommended Fuse Blocks With Box Connectors for Amp-trap® Class J Fuses

| Fuse Ampere Rating | Catalog Number | |
|--------------------|----------------|--------|
| | 600V OR LESS | |
| | 1 Pole | 3 pole |
| 0-30 | US3J1I | US3J3I |
| 31-60 | US6J1I | US6J3I |
| 61-100 | 61036J | 61038J |
| 101-200 | 62001J | 62003J |
| 201-400 | 64031J | 64033J |
| 401-600 | 6631J | 6633J |

A variety of pole configurations and termination provisions is available.

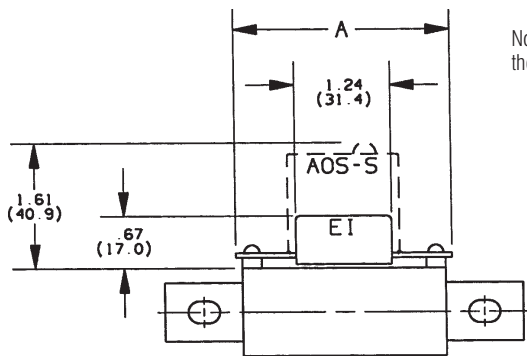
Note: Indicator Not available (1-7a)



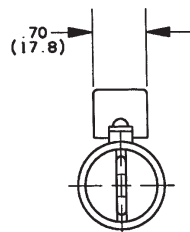
Dimensions

| AMPERE RATING | A | | B | | C | | D | | E | | F | | G | | H | |
|---------------|-------|-----|--------|----|------|-----|-------|----|-------|----|-------|-----|-------|----|-------|----|
| | In. | mm | In. | mm | In. | mm | In. | mm | In. | mm | In. | mm | In. | mm | In. | mm |
| 1-30 | 2-1/4 | 57 | 13/16 | 21 | - | - | - | - | - | - | - | - | - | - | - | - |
| 31-60 | 2-3/8 | 60 | 1-1/16 | 27 | - | - | - | - | - | - | - | - | - | - | - | - |
| 61-100 | 4-5/8 | 117 | 1-1/16 | 27 | 1/8 | 3.2 | 3/4 | 19 | 1 | 25 | 3-5/8 | 92 | 3/8 | 10 | 9/32 | 7 |
| 101-200 | 5-3/4 | 146 | 1-5/8 | 41 | 3/16 | 4.8 | 1-1/8 | 29 | 1-3/8 | 35 | 4-3/8 | 111 | 3/8 | 10 | 9/32 | 7 |
| 201-400 | 7-1/8 | 181 | 2-1/8 | 54 | 1/4 | 6.3 | 1-5/8 | 41 | 1-7/8 | 48 | 5-1/4 | 133 | 17/32 | 14 | 13/32 | 10 |
| 401-600 | 8 | 203 | 2-1/2 | 64 | 3/8 | 9.5 | 2 | 51 | 2-1/8 | 54 | 6 | 152 | 11/16 | 18 | 17/32 | 13 |

Optional Indicator/Microswitch Mount (EI) dimensions:



Note: Fuses with the EI option will receive the AOS-S or AOS-Q Add-On-Switch



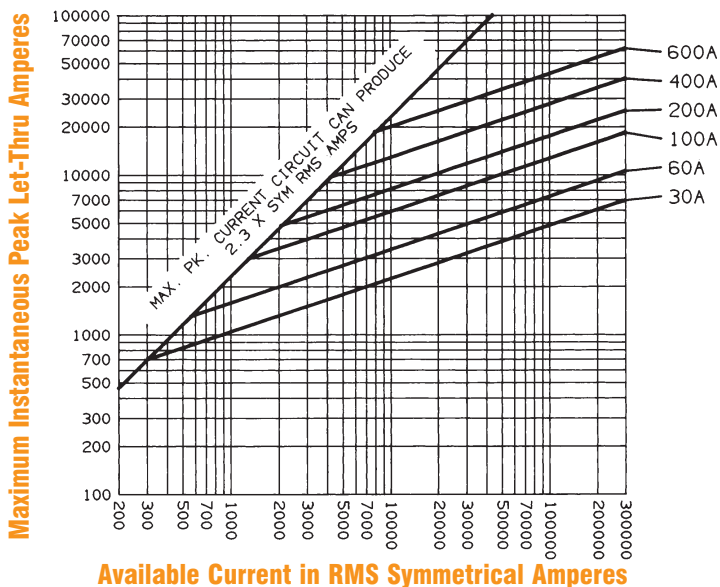
| CATALOG NUMBER | A |
|-----------------|-------------|
| AJT(70-100)-EI | 2.80 (71.0) |
| AJT(110-200)-EI | 3.22 (81.8) |
| AJT(225-400)-EI | 3.24 (82.2) |
| AJT(450-600)-EI | 3.61 (91.8) |

TIME DELAY / CLASS J FUSES

AJT



Peak Let-Through Current Data – AJT30 to 600, 600 Volts AC



Note: See Application Tables page L9 for Three Phase Class J AJT Fuses.