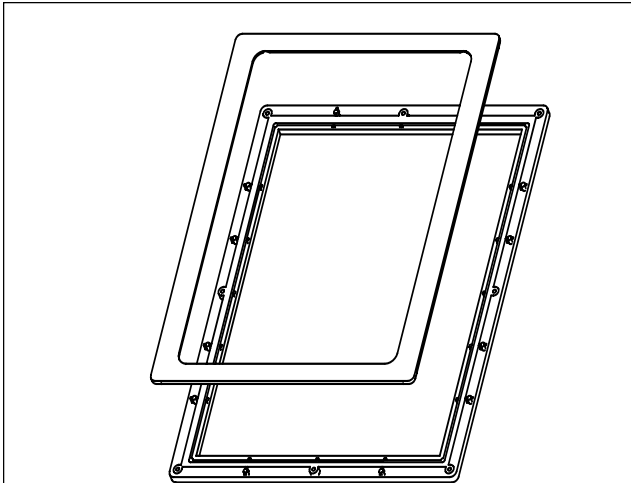




## EXTERNAL ACCESSORIES

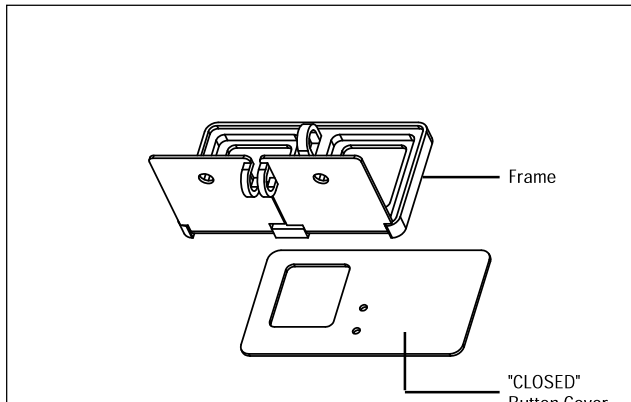
### Door Frame and Gasket Customer field installable



**HARDWARE INCLUDED.**

Description	Cat#
Provides protection against dust and dripping water (IP42)	MDES

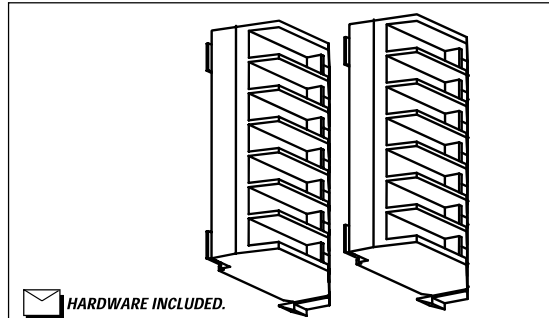
### Pushbutton External Lock Cover Customer field installable



**HARDWARE INCLUDED.**

Description	Cat#
Metal Frame	MCOVM
Plastic Frame	MCOVP
Metal Frame with blocked close button cover	MCOVC
Plastic Frame with blocked close button cover	MCOVH

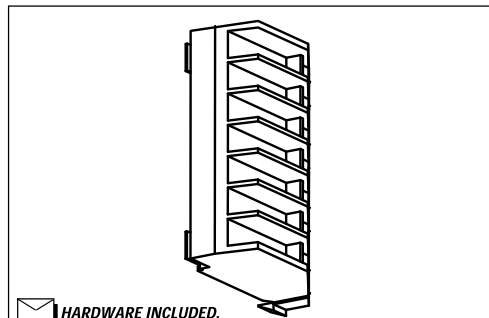
### CT Shorting & Jumper Block Kit Customer field installable



**HARDWARE INCLUDED.**

Description	Cat#
Interstructure Wiring Terminations	MSJB

### CT Jumper Block Kit\* Customer field installable

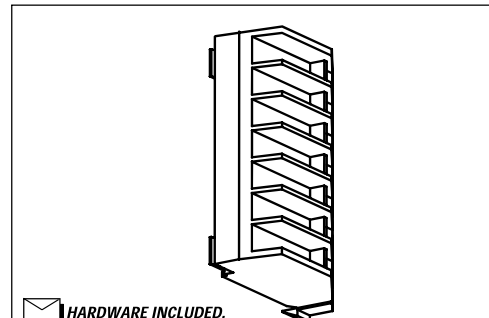


**HARDWARE INCLUDED.**

Description	Cat#
Cell to Cell Wiring Terminations	MJB

\* Included in CT Shorting & Jumper Block Kit

### CT Shorting Block\* Customer field installable



**HARDWARE INCLUDED.**

Description	Cat#
Metering CT Wire Termination	MSB

\* Included in CT Shorting & Jumper Block Kit