



**Hammond Power Solutions Inc.**

TITLE: 1PH DISTRIBUTION TRANSFORMER NAMEPLATE INFORMATION			
DES:	GPATEL		
DATE:	08/12/04		
SCALE:	NTS		
NO.	DATE	BY	REVISION

SHEET 1 OF 2

EDB 190415

0.0 gpatel 2010/05/26 20:47

SINGLE PHASE DRY TYPE TRANSFORMER  
ALLEN-BRADLEY  
MILWAUKEE, WI. USA



LR3902



E112313

P/N

40022-003-02

KVA 10

CLASS AN

TYPE G

TEMP. RISE °C 80

TEMP. CLASS °C 180

FREQ. Hz 60

IMPEDANCE % @ 100 °C 3.6

ENCL. TYPE -

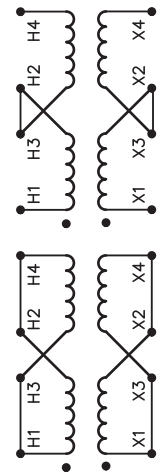
WEIGHT LBS 125

INS. SYSTEM 180-1

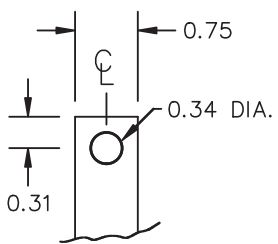
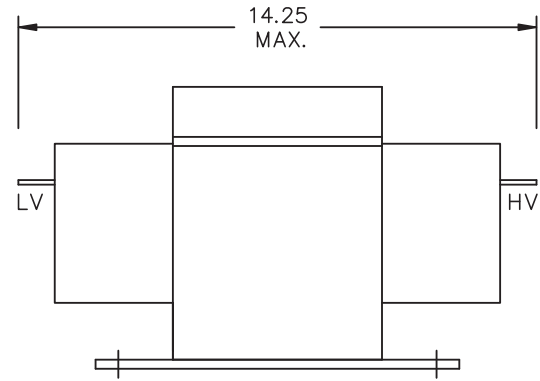
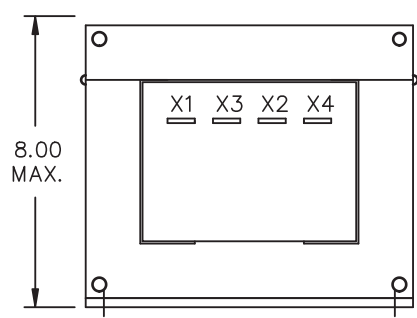
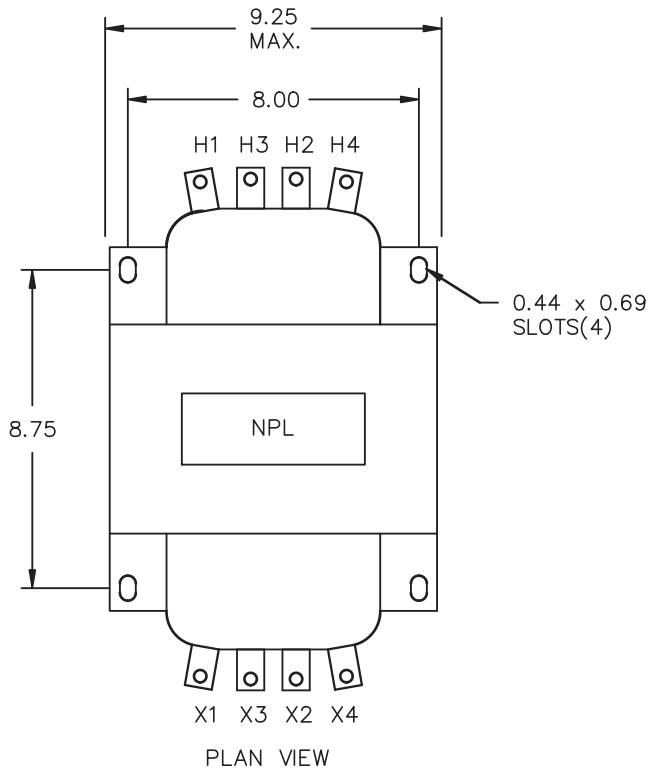
SERIAL NO: cab1001e

VOLTS	% RATED VOLTAGE	CONNECTION

HV 240X480  
LV 120/240  
BILL kV -  
H1 H3 H2 H4  
X1 X3 X2 X4



190415  
REV H



MATERIAL: 1/8" THICK CU.

TERMINAL DETAIL



TITLE: 1PH DISTRIBUTION TRANSFORMER  
MECHANICAL INFORMATION

				DES: GPATEL
				DATE: 08/12/04
NO.	DATE	BY	REVISION	SCALE: NTS

SHEET 2 OF 2

EDB 190415

0.0 gpatel 2010/05/26 20:47