



Hammond Power Solutions Inc.

TITLE: 1PH DISTRIBUTION TRANSFORMER
NAMEPLATE INFORMATION

1	06/07/26	GP	HCN: 25740	DES: GPATEL
NO.	DATE	BY	REVISION	SCALE: NTS

SHEET 1 OF 2

EDB 172290

1.0 jwen 2009/08/12 17:33

SINGLE PHASE DRY TYPE TRANSFORMER
ALLEN-BRADLEY
MILWAUKEE, WI. USA



LR3902



E112313

P/N 40022-050-01

KVA 15

CLASS AN

TYPE G

TEMP. RISE °C 80

TEMP. CLASS °C 180

FREQ. Hz 60

IMPEDANCE % @ 100 °C 3.3

ENCL. TYPE -

WEIGHT LBS 165

INS. SYSTEM 180-1

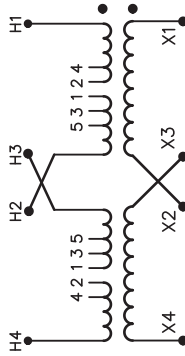
SERIAL NO:

LOW VOLTAGE CONNECTION (LINES ON X1 AND X4)		
VOLTS	CONNECT	CONNECT
240	X2-X3	X1-X3
120	X2-X4	X1-X4

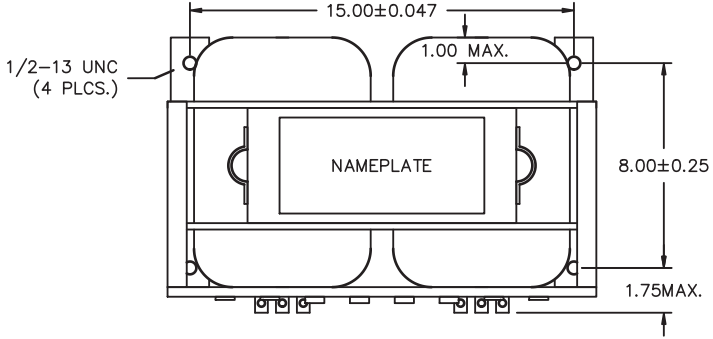
HIGH VOLTAGE CONNECTION (LINES ON H1 AND H4)				
VOLTS	LEFT JUMPER	RIGHT JUMPER	LEG PERCENT TAPS	CONNECT
480	1-2	1-2	105	H2-H3
492	2-3	1-2	102.5	H2-H3
480	2-3	2-3	100	H2-H3
468	3-4	2-3	97.5	H2-H3
456	3-4	3-4	95	H2-H3
444	4-5	3-4	92.5	H2-H3
432	4-5	4-5	90	H2-H3

240	1-2	1-2	105	H1-H3
252	2-3	2-3	100	H1-H3
240	3-4	3-4	95	H1-H3
228	4-5	4-5	90	H1-H3

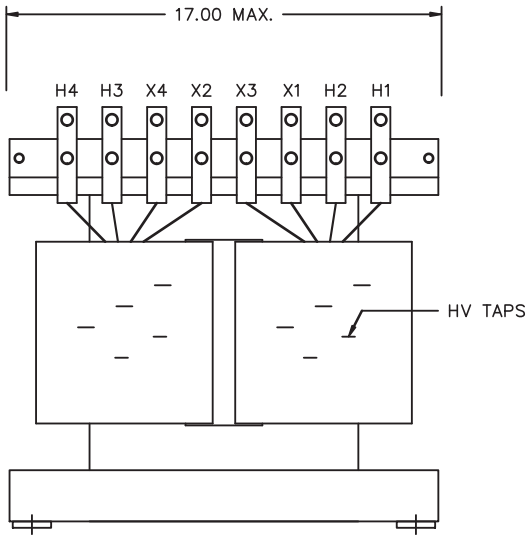
172290 REV.1



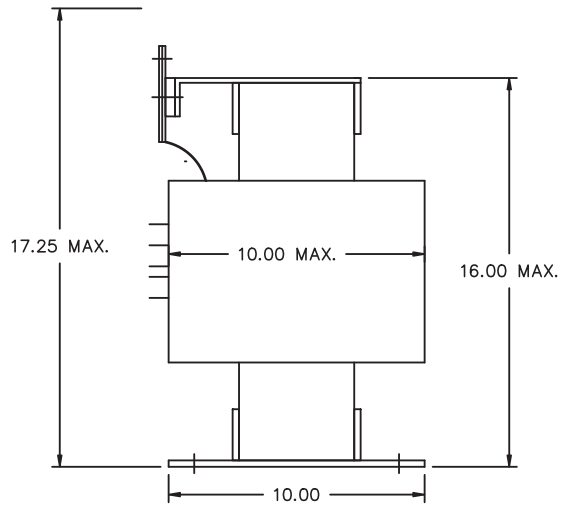
cab1003e



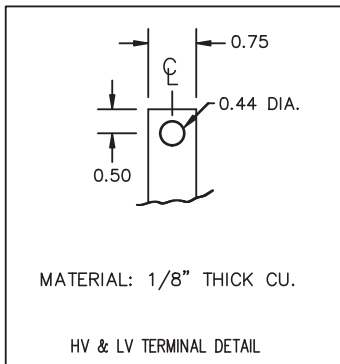
PLAN VIEW



FRONT VIEW



SIDE VIEW



NOTES : ADHESIVE TERMINAL LABELS LOCATED ON TERMINAL SUPPORT BOARD.
EXTRA HOLES ON BASE PLATE FOR MOUNTING TO SHIPPING SKID.



TITLE: 1PH DISTRIBUTION TRANSFORMER
MECHANICAL INFORMATION

1	06/07/26	GP	HCN: 25740	DES: GPATEL
				DATE: 03/10/24
NO.	DATE	BY	REVISION	SCALE: NTS

SHEET 2 OF 2

EDB 172290

1.0 j.wen 2009/08/12 17:33