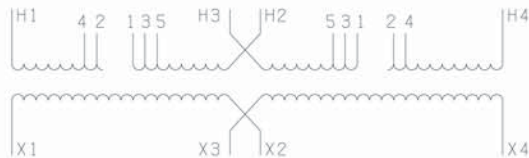


(2) 2-1/2% FCAN AND (4) 2-1/2% FCBN AT 480 VOLTS (1) 5% AN AND (1) 5% BN AT 240 VOLTS.



HIGH VOLTAGE CONNECTION (LINES ON H1 AND H4)

480 VOLTS	RIGHT LEG JUMPER ON	LEFT LEG JUMPER ON	PERCENT TAPS	CONNECT
504	1 & 2	1 & 2	105	H2 TO H3
492	1 & 2	2 & 3	102.5	H2 TO H3
480	2 & 3	2 & 3	100	H2 TO H3
468	2 & 3	3 & 4	97.5	H2 TO H3
456	3 & 4	3 & 4	95	H2 TO H3
444	3 & 4	4 & 5	92.5	H2 TO H3
432	4 & 5	4 & 5	90	H2 TO H3

240 VOLTS	RIGHT LEG JUMPER ON	LEFT LEG JUMPER ON	PERCENT TAPS	CONNECT
252	1 & 2	1 & 2	105	H1 TO H3 H2 TO H4
240	2 & 3	2 & 3	100	H1 TO H3 H2 TO H4
228	3 & 4	3 & 4	95	H1 TO H3 H2 TO H4
216	4 & 5	4 & 5	90	H1 TO H3 H2 TO H4

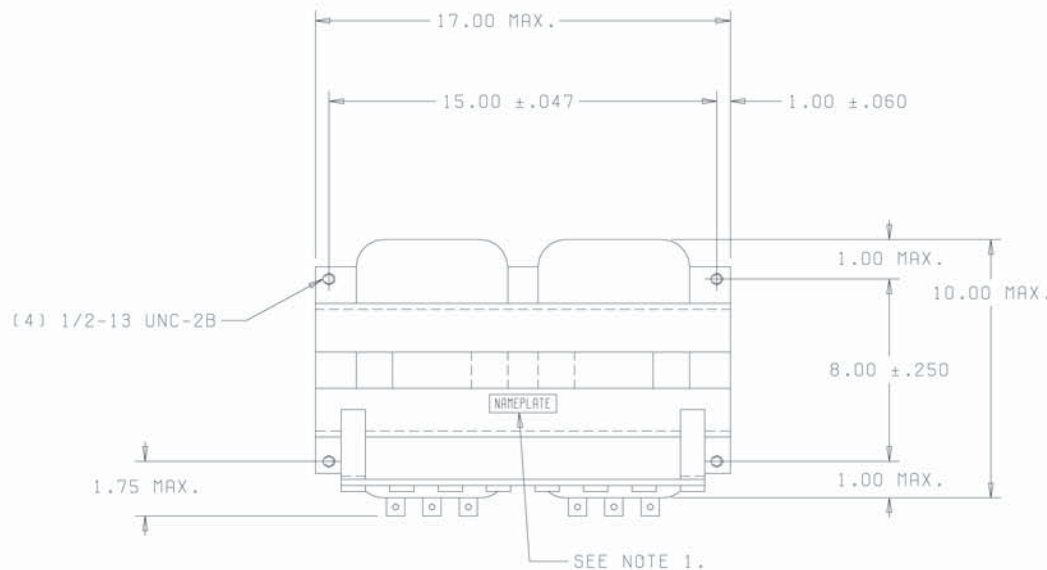
LOW VOLTAGE CONNECTION (LINES ON X1 TO X4)

VOLTS	CONNECT
240	X3 TO X2
120	X1 TO X3 X2 TO X4

240/480 PRIMARY VOLTS, 120/240 SECONDARY VOLTS  
60 HERTZ WITH (2) 2-1/2% TAPS FCAN  
AND (4) 2-1/2% TAPS FCBN

13 180°C INSULATION 80°C RISE  
VACUUM IMPREGNATED VARNISH  
NATURAL FINISH OVER ENTIRE TRANSFORMER

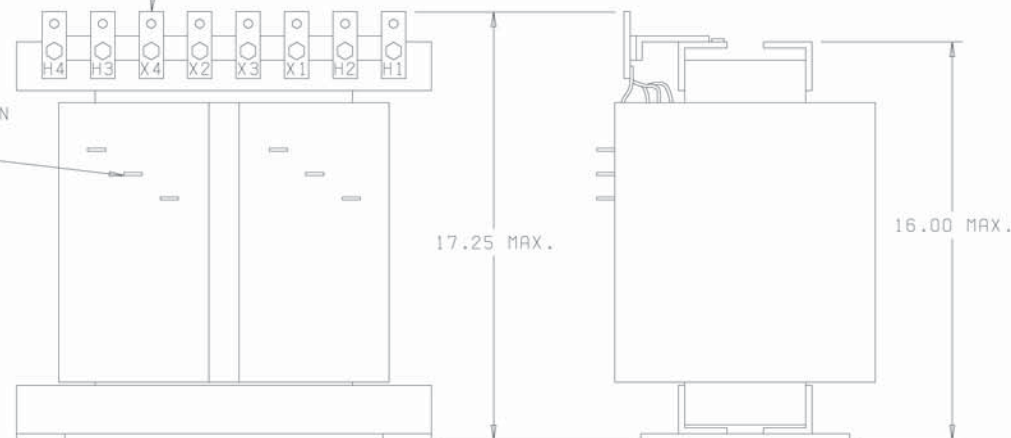
PARTS MUST CONFORM TO APPLICABLE ALLEN-BRADLEY CO. WORKMANSHIP STANDARD 40126-700



TYPICAL TERMINAL AND TERMINAL SUPPORT PLACEMENT SHOWN. CONSTRUCTION OF TERMINALS AND TERMINAL SUPPORTS MAY VARY AS LONG AS MAXIMUM DIMENSIONS ARE NOT EXCEEDED.

COPPER OR TIN PLATED ALUMINUM TERMINALS WITH HOLES FOR 3/8 HARDWARE.

TYPICAL PLACEMENT, NUMBER AND POSITION MAY VARY. NECESSARY HARDWARE TO BE SUPPLIED BY MANUFACTURER.



NOTE:

- 1) NAMEPLATE SUPPLIED BY VENDOR MUST INCLUDE THE FOLLOWING: ALLEN-BRADLEY NAME, PART NUMBER, PRIMARY VOLTAGE, SECONDARY VOLTAGE, KVA RATING, PHASE AND HERTZ.
- 2) MUST BE UL LISTED OR COMPONENT RECOGNIZED.
- 3) TERMINAL SUPPORT TO BE KEPT TO ±0.25 OF STRAIGHTNESS.
- 4) WELDED CORE ACCEPTABLE. DIMENSIONAL AND TEMPERATURE REQUIREMENTS MUST BE MET.

-03	F	25	240/480
-02	F	20	240/480
-01	F	15	240/480
PART NO.	CHG. LTR.	KVA	PRIMARY VOLTAGE

REFERENCES	NONE	TRANSFORMER		cv 40022.050.R13.DCC
REVISION	RELEASE	SINGLE PHASE		
9	21277-95	15KVA TO 25KVA		
10	21403-95	DR. MERIWETHER	DATE 4-8-85	SHEET 1 OF 4
11	21046-96	CHKD. N/A	DATE N/A	40022-050
12	21067-97	APP.D.C. MALKOWSKI	DATE 9-23-85	
13	21299-01			DWG SIZE C