



Hammond Power Solutions Inc.

TITLE: 1PH DISTRIBUTION TRANSFORMER
NAMEPLATE INFORMATION

DES:	GPATEL
DATE:	05/03/10
SCALE:	NTS

NO.	DATE	BY	REVISION
-----	------	----	----------

SHEET 1 OF 2

EDB 172288

0.2 gpate1 2011/03/07 17:57

SINGLE PHASE DRY TYPE TRANSFORMER
ALLEN-BRADLEY
MILWAUKEE, WI. USA



LR3902



E112313

P/N

40022-050-04

KVA

15

CLASS

AN

TYPE

G

TEMP. RISE
°C

80

TEMP. CLASS
°C

180

FREQ. Hz

60

IMPEDANCE %
@ 100 °C

3.6

ENCL. TYPE

-

WEIGHT LBS

160

INS. SYSTEM

180-1

SERIAL NO:

cab1001e

VOLTS	% RATED VOLTAGE	CONNECTION
630	105	1-2
615	102.5	2-3
600	100	3-4
585	97.5	4-5
570	95	5-6
555	92.5	6-7
540	90	7-8

HV

600V

V

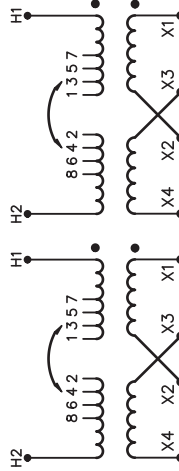
BILL
KV

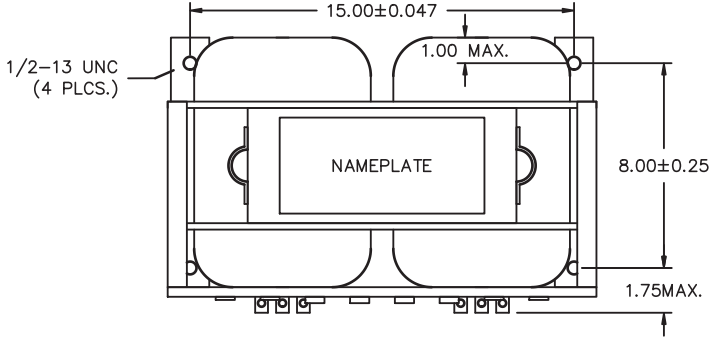
H2 H1

LV

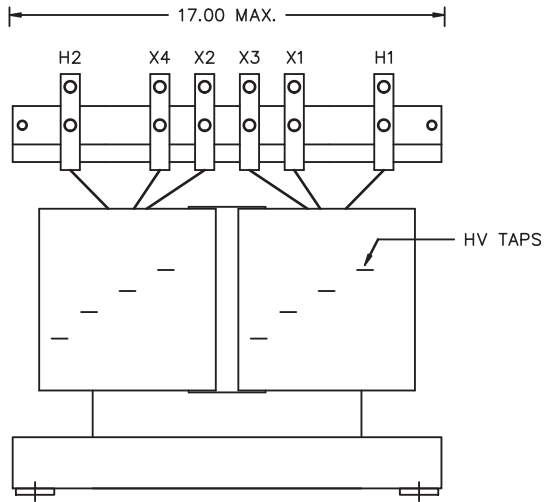
120/240V

X4 X2 X3 X1

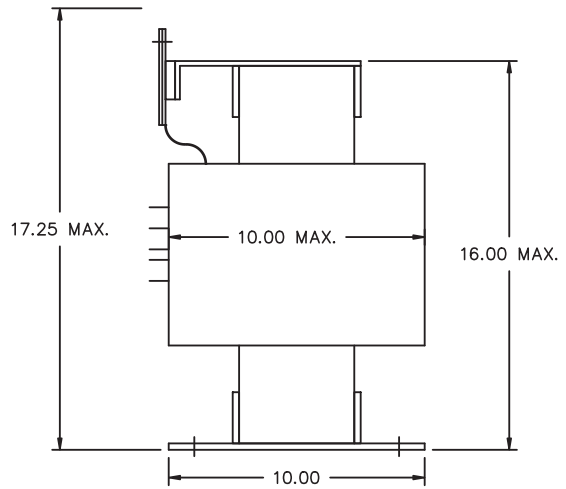




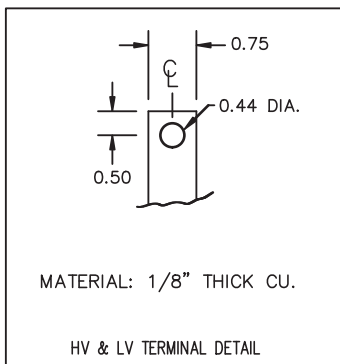
PLAN VIEW



FRONT VIEW



SIDE VIEW



TITLE: 1PH DISTRIBUTION TRANSFORMER
MECHANICAL INFORMATION

				DES: GPATEL
				DATE: 05/03/10
NO.	DATE	BY	REVISION	SCALE: NTS

SHEET 2 OF 2

EDB 172288

0.2 gpatel 2011/03/07 17:57