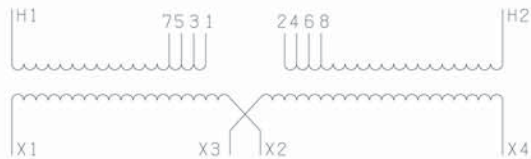


(2) 2-1/2% FCAN AND (4) 2-1/2% FCBN AT 600 VOLTS



HIGH VOLTAGE CONNECTION (LINES ON H1 AND H2)

600 VOLTS		JUMPER ON	PERCENT TAPS
630		1 & 2	105
615		2 & 3	102.5
600		3 & 4	100
585		4 & 5	97.5
570		5 & 6	95
550		6 & 7	92.5
540		7 & 8	90

LOW VOLTAGE CONNECTION (LINES ON X1 TO X4)

VOLTS	CONNECT
240	X3 TO X2
120	X1 TO X3 X2 TO X4

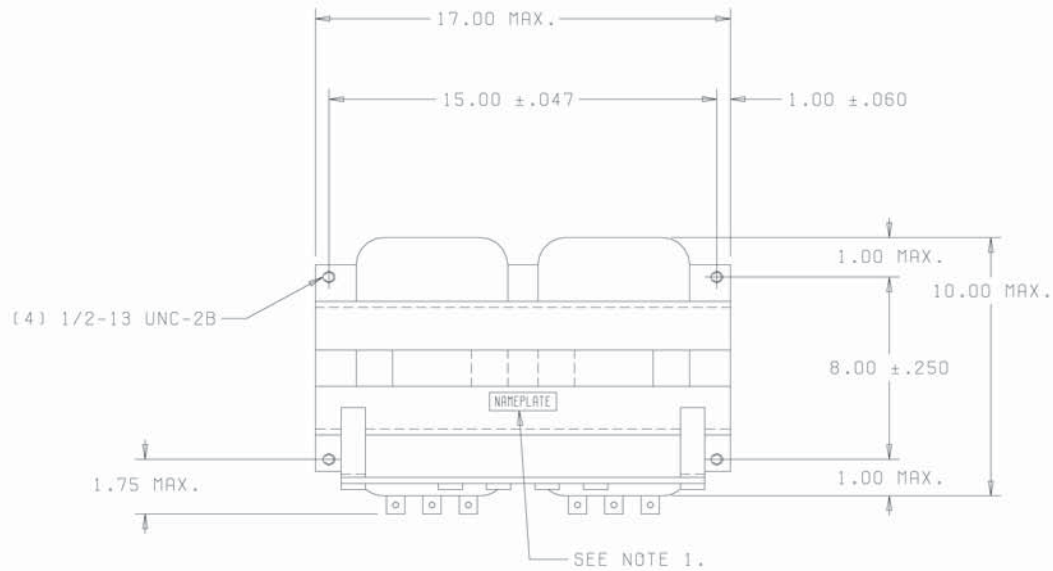
600 PRIMARY VOLTS, 120/240 SECONDARY VOLTS
60 HERTZ WITH (2) 2-1/2% TAPS FCAN
AND (4) 2-1/2% TAPS FCBN

13 180°C INSULATION 80°C RISE
VACUUM IMPREGNATED VARNISH
NATURAL FINISH OVER ENTIRE TRANSFORMER

NOTE:

- 1) NAMEPLATE SUPPLIED BY VENDOR MUST INCLUDE THE FOLLOWING:
ALLEN-BRADLEY NAME, PART NUMBER, PRIMARY VOLTAGE,
SECONDARY VOLTAGE, KVA RATING, PHASE AND HERTZ.
- 2) MUST BE UL LISTED OR COMPONENT RECOGNIZED.
- 3) TERMINAL SUPPORT TO BE KEPT TO ±0.25 OF STRAIGHTNESS.
- 4) WELDED CORE ACCEPTABLE, DIMENSIONAL AND
TEMPERATURE REQUIREMENTS MUST BE MET.

PARTS MUST CONFORM
TO APPLICABLE
ALLEN-BRADLEY CO.
WORKMANSHIP STANDARD
40126-700



TYPICAL TERMINAL AND TERMINAL SUPPORT PLACEMENT SHOWN.
CONSTRUCTION OF TERMINALS AND TERMINAL SUPPORTS MAY VARY AS
LONG AS MAXIMUM DIMENSIONS ARE NOT EXCEEDED.

COPPER OR TIN PLATED ALUMINUM TERMINALS
WITH HOLES FOR 3/8 HARDWARE.

TYPICAL PLACEMENT, NUMBER AND POSITION
MAY VARY, NECESSARY HARDWARE TO BE
SUPPLIED BY MANUFACTURER.



REFERENCES	NONE	TRANSFORMER		CV 40022.050.R13.DCC
REVISION	RELEASE	SINGLE PHASE		THIS DRAWING IS THE PROPERTY OF ROCKWELL INTERNATIONAL CORPORATION OR ITS SUBSIDIARIES AND MAY NOT BE COPIED, USED OR DISCLOSED FOR ANY PURPOSE EXCEPT AS AUTHORIZED IN WRITING BY ROCKWELL INTERNATIONAL CORPORATION
9	21277-95	15KVA TO 25KVA		
10	21403-95			
11	21046-96	DR. MERIWETHER	DATE 4-8-85	SHEET 2 OF 4
12	21067-97	CHKD. N/A	DATE N/A	DWG SIZE C 40022-050
13	21299-01	APP.D.C. MALKOWSKI	DATE 9-23-85	

-06	F	25	600
-05	F	20	600
-04	F	15	600
PART NO.	CHG. LTR.	KVA	PRIMARY VOLTAGE