



Hammond Power Solutions Inc.

TITLE: 1PH DISTRIBUTION TRANSFORMER
NAMEPLATE INFORMATION

DES:	GPATEL
DATE:	04/03/24
SCALE:	NTS

NO.	DATE	BY	REVISION
-----	------	----	----------

SHEET 1 OF 2

EDB 172286

0.1 jwen 2009/08/12 17:32

SINGLE PHASE DRY TYPE TRANSFORMER
ALLEN-BRADLEY
MILWAUKEE, WI. USA



LR3902



E112313

P/N

40022-050-07

KVA

15

CLASS

AN

TYPE

G

TEMP. RISE
°C

80

TEMP. CLASS
°C

180

FREQ. Hz

50

IMPEDANCE %
@ 100 °C

3.5

ENCL. TYPE

-

WEIGHT LBS

200

INS. SYSTEM

180-1

SERIAL NO:

cab1001e

VOLTS	% RATED VOLTAGE	CONNECTION
399	105	1-2
390	102.5	2-3
380	100	3-4
370	97.5	4-5
361	95	5-6
352	92.5	6-7
342	90	7-8

HV

380

V

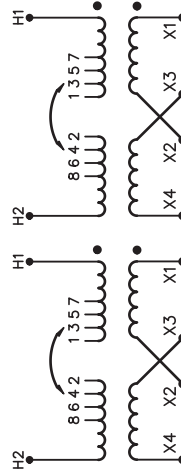
BILL
KV

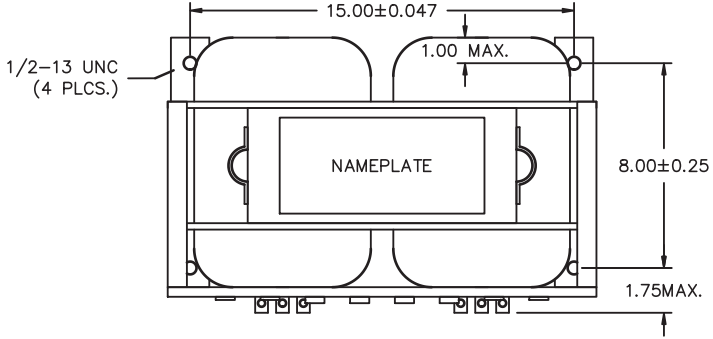
H2 H1

LV

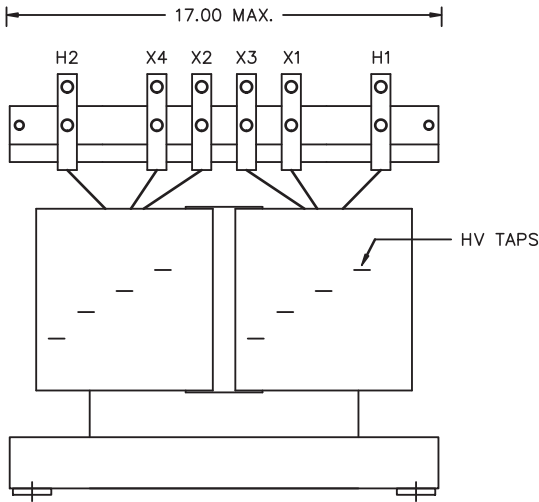
110/220

X4 X2 X3 X1

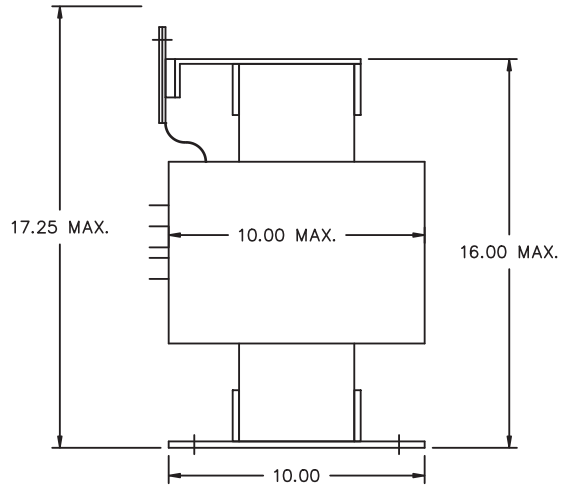




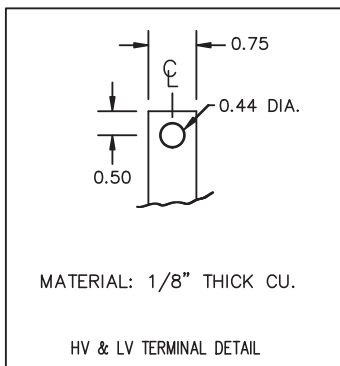
PLAN VIEW



FRONT VIEW



SIDE VIEW



TITLE: 1PH DISTRIBUTION TRANSFORMER
MECHANICAL INFORMATION

				DES: GPATEL
				DATE: 04/03/24
NO.	DATE	BY	REVISION	SCALE: NTS

SHEET 2 OF 2

EDB 172286

0.1 jwen 2009/08/12 17:32