



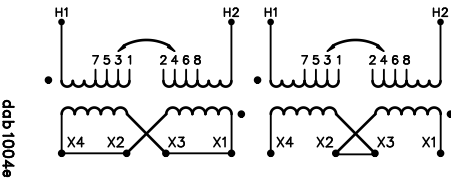
**Allen-Bradley**



**UL** DRY TYPE TRANSFORMER  
E112313

SINGLE PHASE DRY TYPE TRANSFORMER

HV	380V			SERIAL NO.	
BIL	-			PART NO.	196171
TERM.	H1 H2			kVA	25
	VOLTS	CURRENT	% RATED VOLTAGE	CONNECT EACH PHASE	TYPE
	399	62.7	105	1-2	G
	390	64.2	102.5	2-3	COOLING
	380	65.8	100	3-4	AN
	370	67.5	97.5	4-5	TEMP. RISE °C
	361	69.3	95	5-6	80
	352	71.1	92.5	6-7	TEMP. CLASS °C
	342	73.1	90	7-8	220
LV	110 / 220V			FREQ. Hz	50
BIL	-			IMPEDANCE % @100 °C	2.9
TERM.	X4 X2 X3 X1			ENCL. TYPE	-
				WT. LBS	265
				WINDING MATERIAL	CU



ddb1004e

DO NOT INSTALL IN AREAS ACCESSIBLE TO PUBLIC  
NE PAS INSTALLER DANS DES ENDROITS ACCESSIBLES AU PUBLIC



ALLEN BRADLEY CAT NO.  
**40022-050-09**

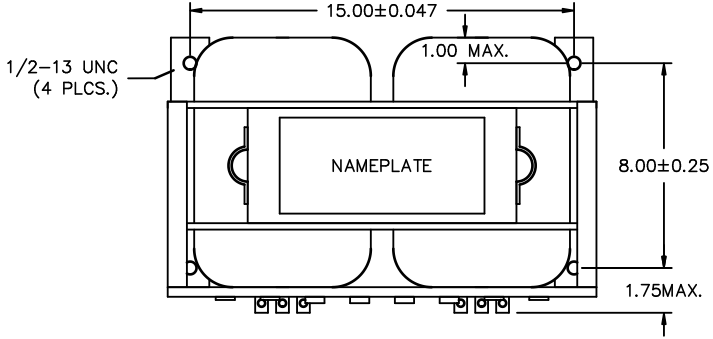


TITLE: 1PH DISTRIBUTION TRANSFORMER  
NAMEPLATE INFORMATION

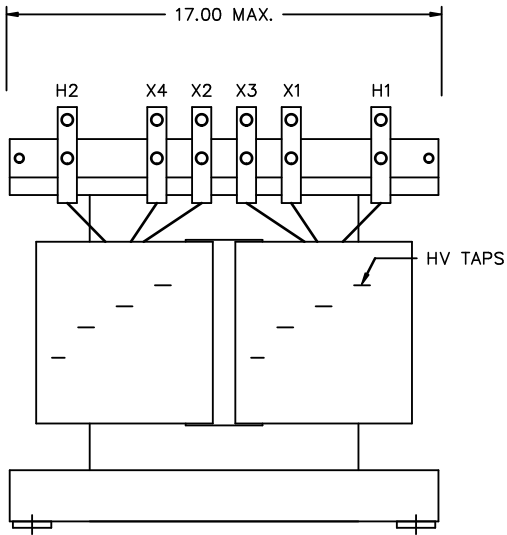
				DES: RBHATIA
				DATE: 10/07/30
NO.	DATE	BY	REVISION	SCALE: NTS

SHEET 1 OF 2  
EDB 196171

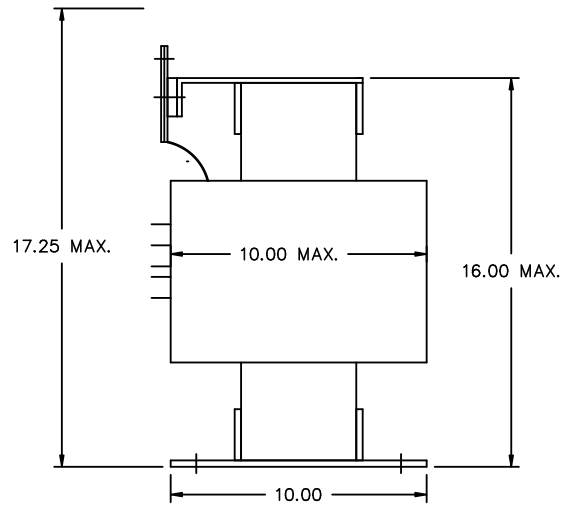
0.4 rbhatia 2011/08/18 13:08



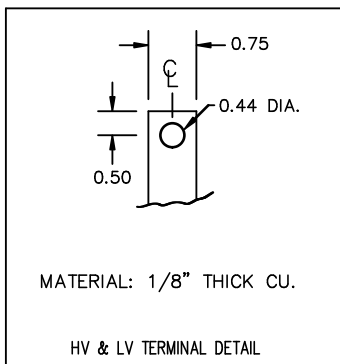
PLAN VIEW



FRONT VIEW



SIDE VIEW



NOTES : ADHESIVE TERMINAL LABELS LOCATED ON TERMINAL SUPPORT BOARD.  
EXTRA HOLES ON BASE PLATE FOR MOUNTING TO SHIPPING SKID.



TITLE: 1PH DISTRIBUTION TRANSFORMER				
DES: RBHATIA				
DATE: 10/07/30				
SCALE: NTS				
NO.	DATE	BY	REVISION	

SHEET 2 OF 2

EDB 196171

0.4 rbhatia 2011/08/18 13:08