



Hammond Power Solutions Inc.

TITLE: 1PH DISTRIBUTION TRANSFORMER
NAMEPLATE INFORMATION

1	10/06/17	DC	LV PAD 1.00" WIDE	DES: GPATEL
				DATE: 05/03/10
NO.	DATE	BY	REVISION	SCALE: NTS

SHEET 1 OF 2

EDB 172284

1.0 clarke 2010/06/17 14.49

SINGLE PHASE DRY TYPE TRANSFORMER
ALLEN-BRADLEY
MILWAUKEE, WI. USA



LR3902



E112313

P/N

40022-050-10

KVA 15

CLASS AN

TYPE G

TEMP. RISE °C 80

TEMP. CLASS °C 180

FREQ. Hz 50

IMPEDANCE % @ 100 °C 4.2

ENCL. TYPE -

WEIGHT LBS 170

INS. SYSTEM 180-1

SERIAL NO:

cab1001e

VOLTS	% RATED VOLTAGE	CONNECTION
436	105	1-2
425	102.5	2-3
415	100	3-4
405	97.5	4-5
394	95	5-6
384	92.5	6-7
374	90	7-8

HV

415V

BILL kV

-

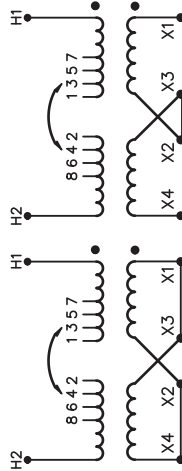
H2 H1

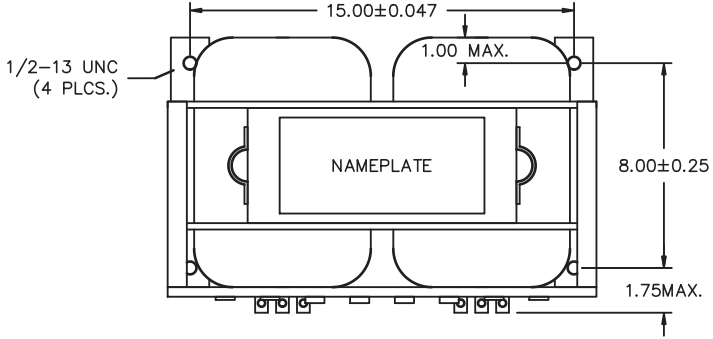
LV

110/220V

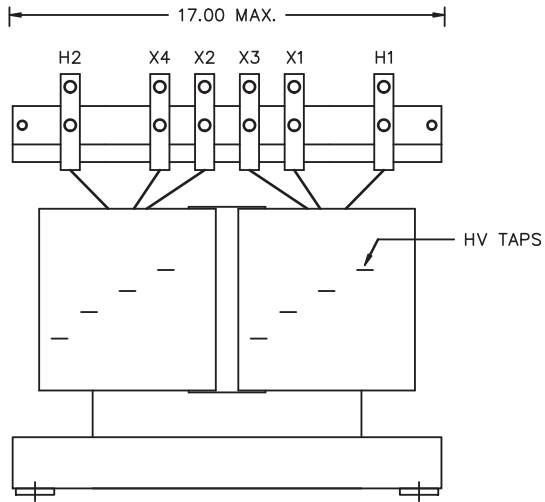
-

X4 X2 X3 X1

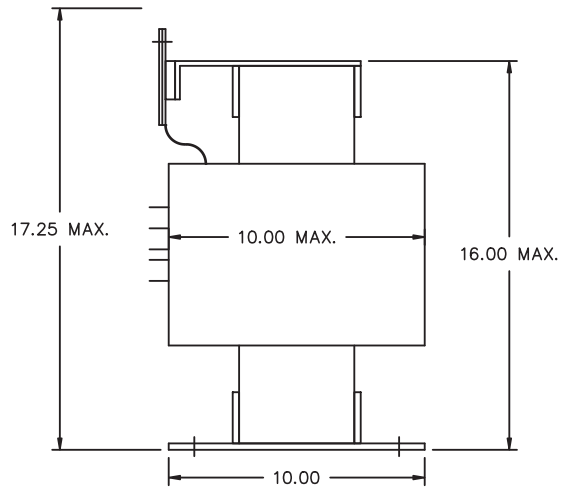




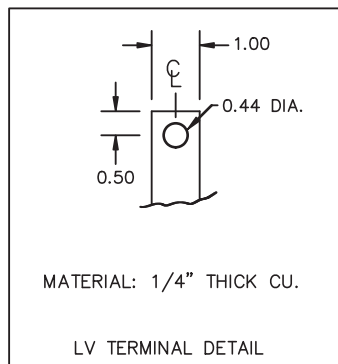
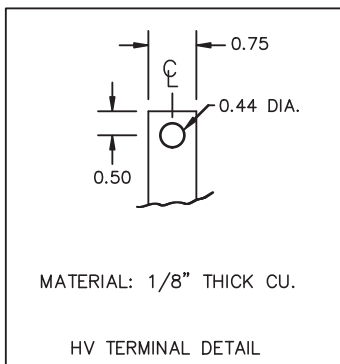
PLAN VIEW



FRONT VIEW



SIDE VIEW



TITLE: 1PH DISTRIBUTION TRANSFORMER
MECHANICAL INFORMATION

1	10/06/17	DC	LV PAD 1.00" WIDE	DES: GPATEL
				DATE: 05/03/10
NO.	DATE	BY	REVISION	SCALE: NTS

SHEET 2 OF 2

EDB 172284

1.0 dclarke 2010/06/17 14:49