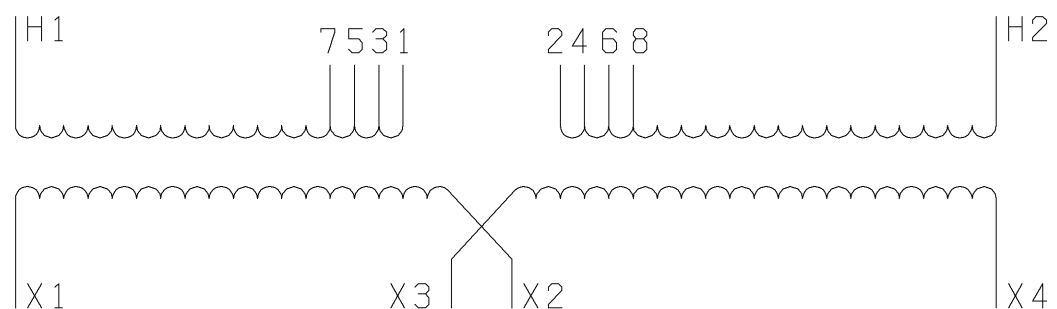


(2) 2-1/2% FCAN AND (4) 2-1/2% FCBN AT 415 VOLTS

PARTS MUST CONFORM TO APPLICABLE ALLEN-BRADLEY CO. WORKMANSHIP STANDARD 40126-700

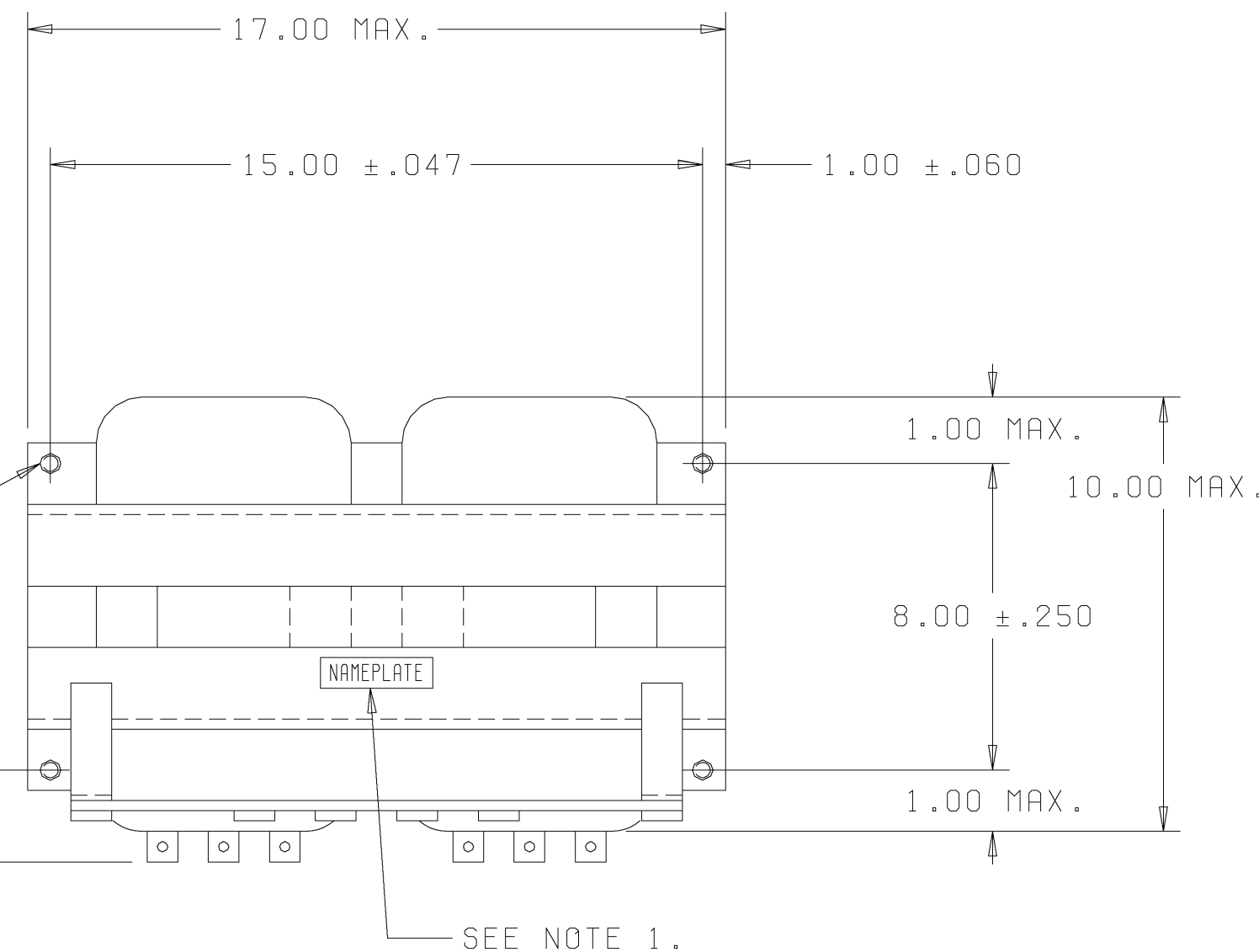


HIGH VOLTAGE CONNECTION (LINES ON H1 AND H2)

415 VOLTS	JUMPER ON	PERCENT TAPS
436	1 & 2	105
425	2 & 3	102.5
415	3 & 4	100
405	4 & 5	97.5
394	5 & 6	95
384	6 & 7	92.5
374	7 & 8	90

(4) 1/2-13 UNC-2B

1.75 MAX.



TYPICAL TERMINAL AND TERMINAL SUPPORT PLACEMENT SHOWN. CONSTRUCTION OF TERMINALS AND TERMINAL SUPPORTS MAY VARY AS LONG AS MAXIMUM DIMENSIONS ARE NOT EXCEEDED.

COPPER OR TIN PLATED ALUMINUM TERMINALS WITH HOLES FOR 3/8 HARDWARE.

LOW VOLTAGE CONNECTION (LINES ON X1 TO X4)

VOLTS	CONNECT
220	X3 TO X2
110	X1 TO X3 X2 TO X4

TYPICAL PLACEMENT, NUMBER AND POSITION MAY VARY, NECESSARY HARDWARE TO BE SUPPLIED BY MANUFACTURER.



415 PRIMARY VOLTS, 110/220 SECONDARY VOLTS  
50 HERTZ WITH (2) 2-1/2% TAPS FCAN  
AND (4) 2-1/2% TAPS FCBN

13 180°C INSULATION 80°C RISE  
VACUUM IMPREGNATED VARNISH  
NATURAL FINISH OVER ENTIRE TRANSFORMER

NOTE:

- 1) NAMEPLATE SUPPLIED BY VENDOR MUST INCLUDE THE FOLLOWING: ALLEN-BRADLEY NAME, PART NUMBER, PRIMARY VOLTAGE, SECONDARY VOLTAGE, KVA RATING, PHASE AND HERTZ.
- 2) MUST BE UL LISTED OR COMPONENT RECOGNIZED.
- 3) TERMINAL SUPPORT TO BE KEPT TO ±0.25 OF STRAIGHTNESS.
- 4) WELDED CORE ACCEPTABLE, DIMENSIONAL AND TEMPERATURE REQUIREMENTS MUST BE MET.

-12	C	25	415
-11	C	20	415
-10	C	15	415
PART NO.	CHG. LTR.	KVA	PRIMARY VOLTAGE

REFERENCES	NONE	TRANSFORMER	CV 40022.050.R13.DCC
REVISION	RELEASE	SINGLE PHASE	<p>THIS DRAWING IS THE PROPERTY OF ROCKWELL INTERNATIONAL CORPORATION OR ITS SUBSIDIARIES AND MAY NOT BE COPIED, USED OR DISCLOSED FOR ANY PURPOSE EXCEPT AS AUTHORIZED IN WRITING BY ROCKWELL INTERNATIONAL CORPORATION</p>
9	21277-95	15KVA TO 25KVA	
10	21403-95		
11	21046-96	DR. MERIWETHER	DATE 4-8-85
12	21067-97	CHKD. N/A	DATE N/A
13	21299-01	APPD.C. MALKOWSKI	DATE 9-23-85
<p>DR. MERIWETHER DATE 4-8-85</p> <p>CHKD. N/A DATE N/A</p> <p>APPD.C. MALKOWSKI DATE 9-23-85</p>			<p>SHEET 4 OF 4</p> <p>DWG. SIZE C</p> <p>40022-050</p>