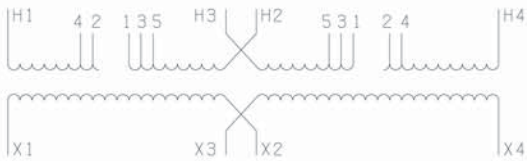


(2) 2-1/2% FCAN AND (4) 2-1/2% FCBN AT 480 VOLTS (1) 5% AN AND (2) 5% BN AT 240 VOLTS.

PARTS MUST CONFORM TO APPLICABLE ALLEN-BRADLEY CO. WORKMANSHIP STANDARD 40126-700



HIGH VOLTAGE CONNECTION (LINES ON H1 AND H4)

480 VOLTS	RIGHT LEG JUMPER ON	LEFT LEG JUMPER ON	PERCENT TAPS	CONNECT
504	1 & 2	1 & 2	105	H2 TO H3
492	1 & 2	2 & 3	102.5	H2 TO H3
480	2 & 3	2 & 3	100	H2 TO H3
468	2 & 3	3 & 4	97.5	H2 TO H3
456	3 & 4	3 & 4	95	H2 TO H3
444	3 & 4	4 & 5	92.5	H2 TO H3
432	4 & 5	4 & 5	90	H2 TO H3

240 VOLTS	RIGHT LEG JUMPER ON	LEFT LEG JUMPER ON	PERCENT TAPS	CONNECT
252	1 & 2	1 & 2	105	H1 TO H3 H2 TO H4
240	2 & 3	2 & 3	100	H1 TO H3 H2 TO H4
228	3 & 4	3 & 4	95	H1 TO H3 H2 TO H4
216	4 & 5	4 & 5	90	H1 TO H3 H2 TO H4

LOW VOLTAGE CONNECTION (LINES ON X1 TO X4)

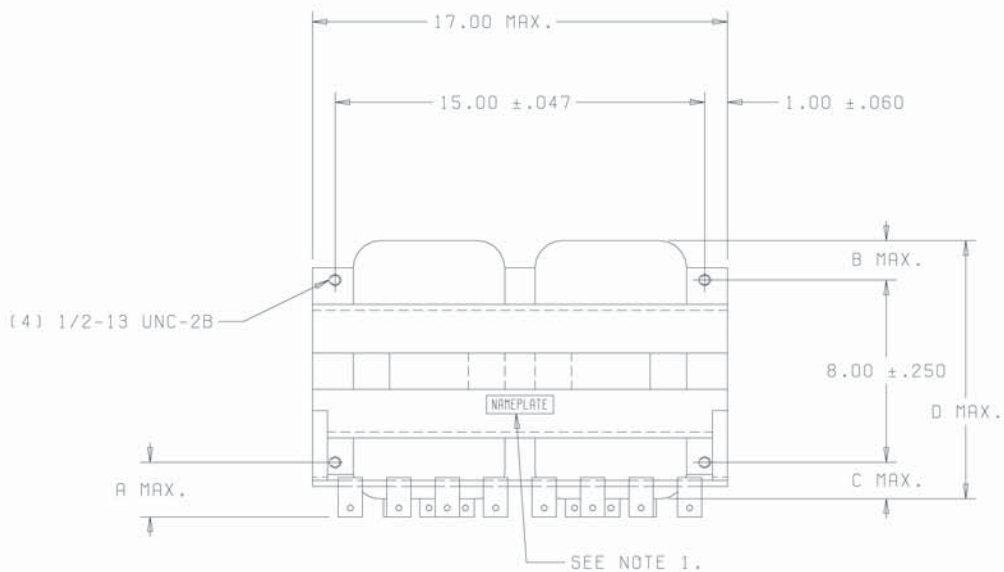
VOLTS	CONNECT
240	X3 TO X2
120	X1 TO X3 X2 TO X4

240/480 PRIMARY VOLTS, 120/240 SECONDARY VOLTS
60 HERTZ WITH (2) 2-1/2% TAPS FCAN
AND (4) 2-1/2% TAPS FCBN

180°C INSULATION 80°C RISE
VACUUM IMPREGNATED VARNISH
NATURAL FINISH OVER ENTIRE TRANSFORMER Δ

NOTE: 1) NAMEPLATE SUPPLIED BY VENDOR MUST INCLUDE THE FOLLOWING:
ALLEN-BRADLEY NAME, PART NUMBER, PRIMARY VOLTAGE,
SECONDARY VOLTAGE, KVA RATING, PHASE AND HERTZ.

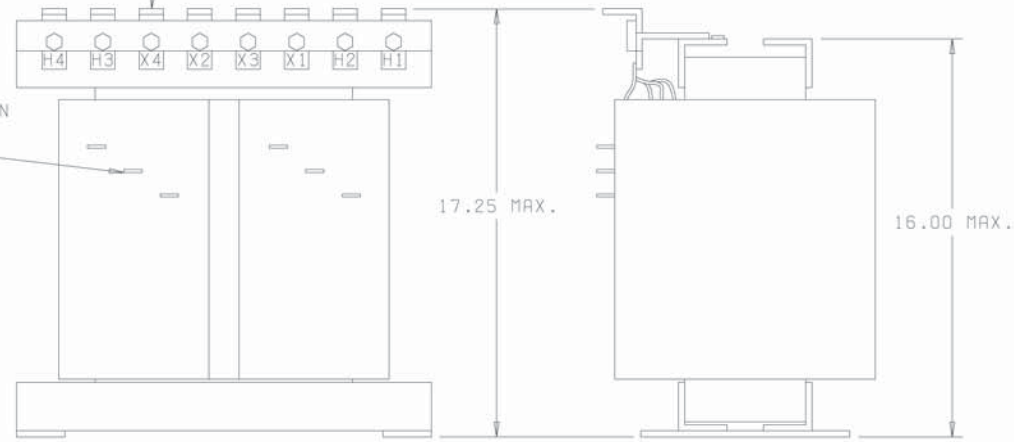
- 2) MUST BE UL LISTED OR COMPONENT RECOGNIZED.
- 3) TERMINAL SUPPORT TO BE KEPT TO ± 0.25 OF STRAIGHTNESS.
- 4) WELDED CORE ACCEPTABLE, DIMENSIONAL AND TEMPERATURE REQUIREMENTS MUST BE MET.



TYPICAL TERMINAL AND TERMINAL SUPPORT PLACEMENT SHOWN.
CONSTRUCTION OF TERMINALS AND TERMINAL SUPPORTS MAY VARY AS
LONG AS MAXIMUM DIMENSIONS ARE NOT EXCEEDED.

COPPER OR TIN PLATED ALUMINUM TERMINALS
WITH HOLES FOR 3/8 HARDWARE.

TYPICAL PLACEMENT, NUMBER AND POSITION
MAY VARY, NECESSARY HARDWARE TO BE
SUPPLIED BY MANUFACTURER.



-03	F	50	240/480	4.00	3.00	3.00	14.00
-02	F	37.5	240/480	3.50	2.50	2.50	13.00
-01	F	30	240/480	3.50	2.50	2.50	13.00
PART NO.	CHG. LTR.	KVA	PRIMARY VOLTAGE	A	B	C	D

REFERENCES	NONE	TRANSFORMER		cv 40022.051.R12.DCC
REVISION	RELEASE	SINGLE PHASE		THIS DRAWING IS THE PROPERTY OF ROCKWELL INTERNATIONAL CORPORATION OR ITS SUBSIDIARIES AND MAY NOT BE COPIED, USED OR DISCLOSED FOR ANY PURPOSE EXCEPT AS AUTHORIZED IN WRITING BY ROCKWELL INTERNATIONAL CORPORATION.
8	21040-94	30KVA TO 50KVA		
9	21403-95	DR. MERIWETHER	DATE 4-8-85	SHEET 1 OF 2
10	21046-96	CHKD. N/A	DATE N/A	DWG. SIZE C
11	21067-97	APP.D.C. MALKOWSKI	DATE 9-23-85	
12	21299-01			