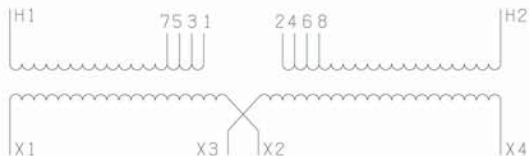


(2) 2-1/2% FCAN AND (4) 2-1/2% FCBN AT 600 VOLTS



HIGH VOLTAGE CONNECTION (LINES ON H1 AND H2)

600 VOLTS	JUMPER ON	PERCENT TAPS
630	1 & 2	105
615	2 & 3	102.5
600	3 & 4	100
585	4 & 5	97.5
570	5 & 6	95
550	6 & 7	92.5
540	7 & 8	90

LOW VOLTAGE CONNECTION (LINES ON X1 TO X4)

VOLTS	CONNECT
240	X3 TO X2
120	X1 TO X3 X2 TO X4

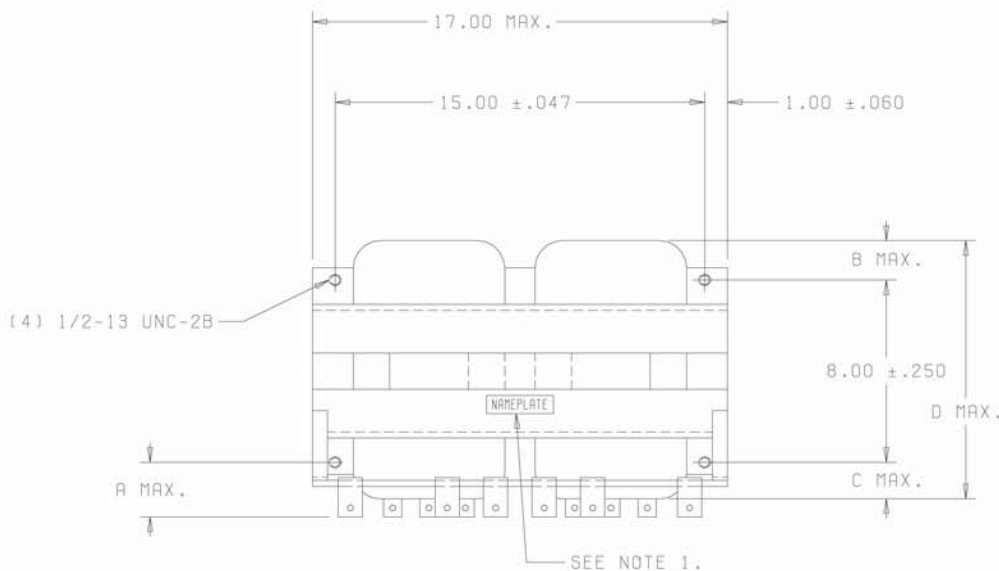
600 PRIMARY VOLTS, 120/240 SECONDARY VOLTS
60 HERTZ WITH (2) 2-1/2% TAPS FCAN
AND (4) 2-1/2% TAPS FCBN

180°C INSULATION 80°C RISE
VACUUM IMPREGNATED VARNISH
NATURAL FINISH OVER ENTIRE TRANSFORMER. Δ 12

NOTE: 1) NAMEPLATE SUPPLIED BY VENDOR MUST INCLUDE THE FOLLOWING:
ALLEN-BRADLEY NAME, PART NUMBER, PRIMARY VOLTAGE,
SECONDARY VOLTAGE, KVA RATING, PHASE AND HERTZ.

- MUST BE UL LISTED OR COMPONENT RECOGNIZED.
- TERMINAL SUPPORT TO BE KEPT TO ± 0.25 OF STRAIGHTNESS.
- WELDED CORE ACCEPTABLE, DIMENSIONAL AND TEMPERATURE REQUIREMENTS MUST BE MET.

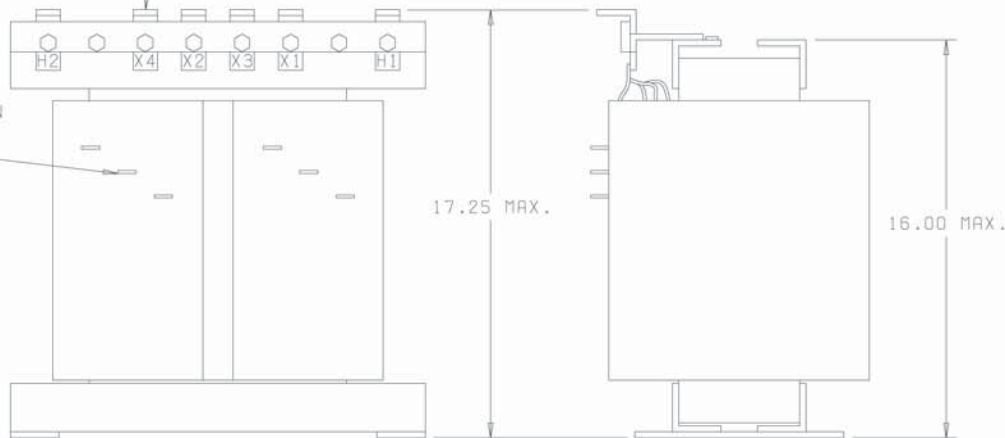
PARTS MUST CONFORM TO APPLICABLE ALLEN-BRADLEY CO. WORKMANSHIP STANDARD 40126-700



TYPICAL TERMINAL AND TERMINAL SUPPORT PLACEMENT SHOWN. CONSTRUCTION OF TERMINALS AND TERMINAL SUPPORTS MAY VARY AS LONG AS MAXIMUM DIMENSIONS ARE NOT EXCEEDED.

COPPER OR TIN PLATED ALUMINUM TERMINALS WITH HOLES FOR 3/8 HARDWARE.

TYPICAL PLACEMENT, NUMBER AND POSITION MAY VARY, NECESSARY HARDWARE TO BE SUPPLIED BY MANUFACTURER.



-06	F	50	600	4.00	3.00	3.00	14.00
-05	F	37.5	600	3.50	2.50	2.50	13.00
-04	F	30	600	3.50	2.50	2.50	13.00
PART NO.	CHG. LTR.	KVA	PRIMARY VOLTAGE	A	B	C	D

REFERENCES	NONE	TRANSFORMER	cv 40022.051.R12.DCC
REVISION	RELEASE	SINGLE PHASE	Allen-Bradley THIS DRAWING IS THE PROPERTY OF ROCKWELL INTERNATIONAL CORPORATION OR ITS SUBSIDIARIES AND MAY NOT BE COPIED, USED OR DISCLOSED FOR ANY PURPOSE EXCEPT AS AUTHORIZED IN WRITING BY ROCKWELL INTERNATIONAL CORPORATION
8	21040-94	30KVA TO 50KVA	
9	21403-95	DR. MERIWETHER	DATE 4-8-85
10	21046-96	CHKD. N/A	DATE N/A
11	21067-97	APP.D.C. MALKOWSKI	DATE 9-23-85
12	21299-01		
DIMENSIONS APPLY BEFORE SURFACE TREATMENT		SHEET 2 OF 2	
DIMENSIONS IN INCHES TOLERANCES UNLESS OTHERWISE SPECIFIED		DWG. SIZE C	
2 PLACE DECIMAL (XX) ±.12		40022-051	
3 PLACE DECIMAL (XXX) ±N/A			
ANGLES ± N/A			