



**Hammond Power Solutions Inc.**

TITLE: 3PH DISTRIBUTION TRANSFORMER  
NAMEPLATE INFORMATION

DES:	GPATEL
DATE:	06/02/03
SCALE:	NTS

NO.	DATE	BY	REVISION

SHEET 1 OF 2

EDB154103000

0.0 schhibb 2010/03/24 11:56

THREE PHASE DRY TYPE TRANSFORMER  
**ALLEN-BRADLEY**  
MILWAUKEE, WI. USA



LR3902



E112313

P/N 40022-052-01

kVA 10

CLASS AN

TYPE J

TEMP. RISE °C 80

TEMP. CLASS °C 180

FREQ. Hz 60

IMPEDANCE % @ 100 °C 3.8

ENCL. TYPE -

WEIGHT LBS 125

INS. SYSTEM 180-1

SERIAL NO:

cab3001e

VOLTS	% RATED VOLTAGE	CONNECTION
504	105	1-2
492	102.5	2-3
480	100	3-4
468	97.5	4-5
456	95	5-6

154103000

HV

480V

V

BILL kV

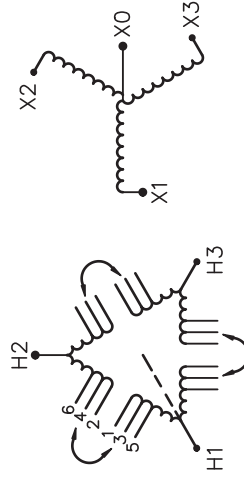
LV

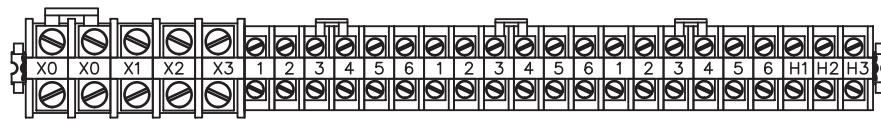
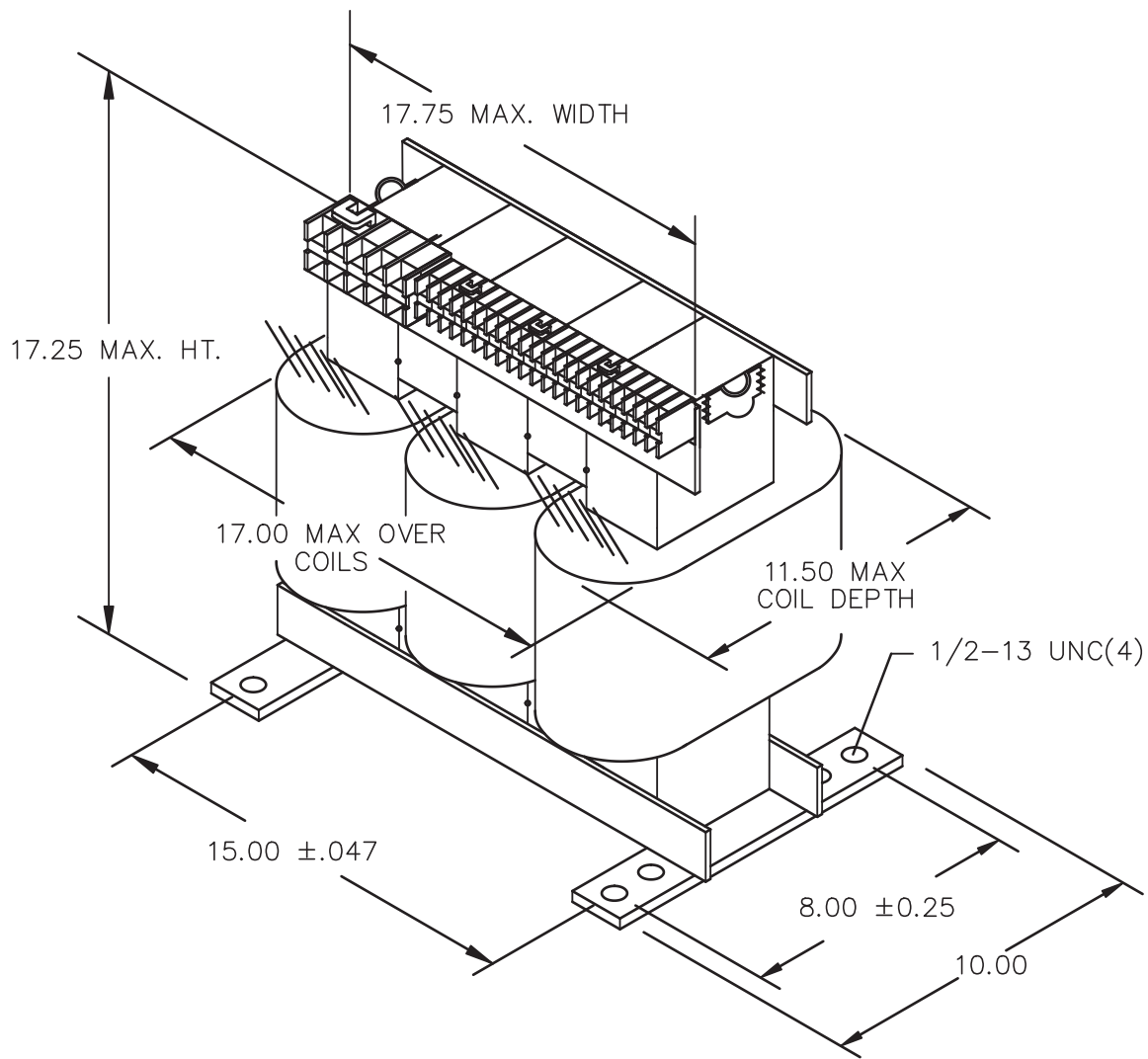
208Y/120V

-

X0 X1 X2 X3

H1 H2 H3





TERMINAL BLOCKS PER ALLEN BRADLEY DWG. 40022-052 PART NO. 2

NOTES : EXTRA HOLES ON BASE PLATE FOR MOUNTING TO SHIPPING SKID.



TITLE: 3PH DISTRIBUTION TRANSFORMER  
MECHANICAL INFORMATION

				DES: GPATEL
				DATE: 06/02/03
NO.	DATE	BY	REVISION	SCALE: NTS

SHEET 2 OF 2

EDB154103000

0.0 schhib 2010/03/04 11:56