



Hammond Power Solutions Inc.

TITLE: 3PH DISTRIBUTION TRANSFORMER
NAMEPLATE INFORMATION

NO.	DATE	BY	REVISION	DES: GPATEL
				DATE: 09/01/19
				SCALE: NTS

SHEET 1 OF 2

EDB 190733

0.0 j.wen 2009/08/12 20:55

THREE PHASE DRY TYPE TRANSFORMER
ALLEN-BRADLEY
MILWAUKEE, WI. USA



LR3902



E112313

P/N 40022-052-02

KVA 15

CLASS AN

TYPE J

TEMP. RISE °C 80

TEMP. CLASS °C 180

FREQ. Hz 60

IMPEDANCE % @ 100 °C 4.5

ENCL. TYPE -

WEIGHT LBS 175

INS. SYSTEM 180-1

SERIAL NO:

cab3001e

VOLTS	% RATED VOLTAGE	CONNECTION
504	105	1-2
492	102.5	2-3
480	100	3-4
468	97.5	4-5
456	95	5-6

190733 (154204100S)

HV

480V

V

BILL kV

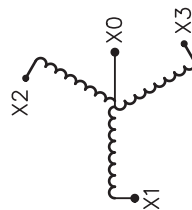
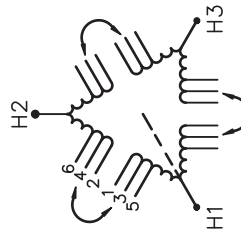
LV

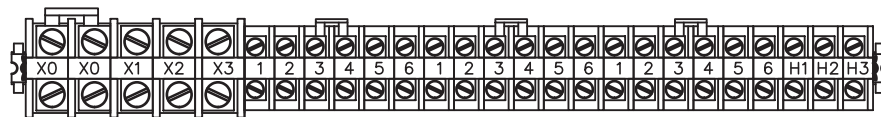
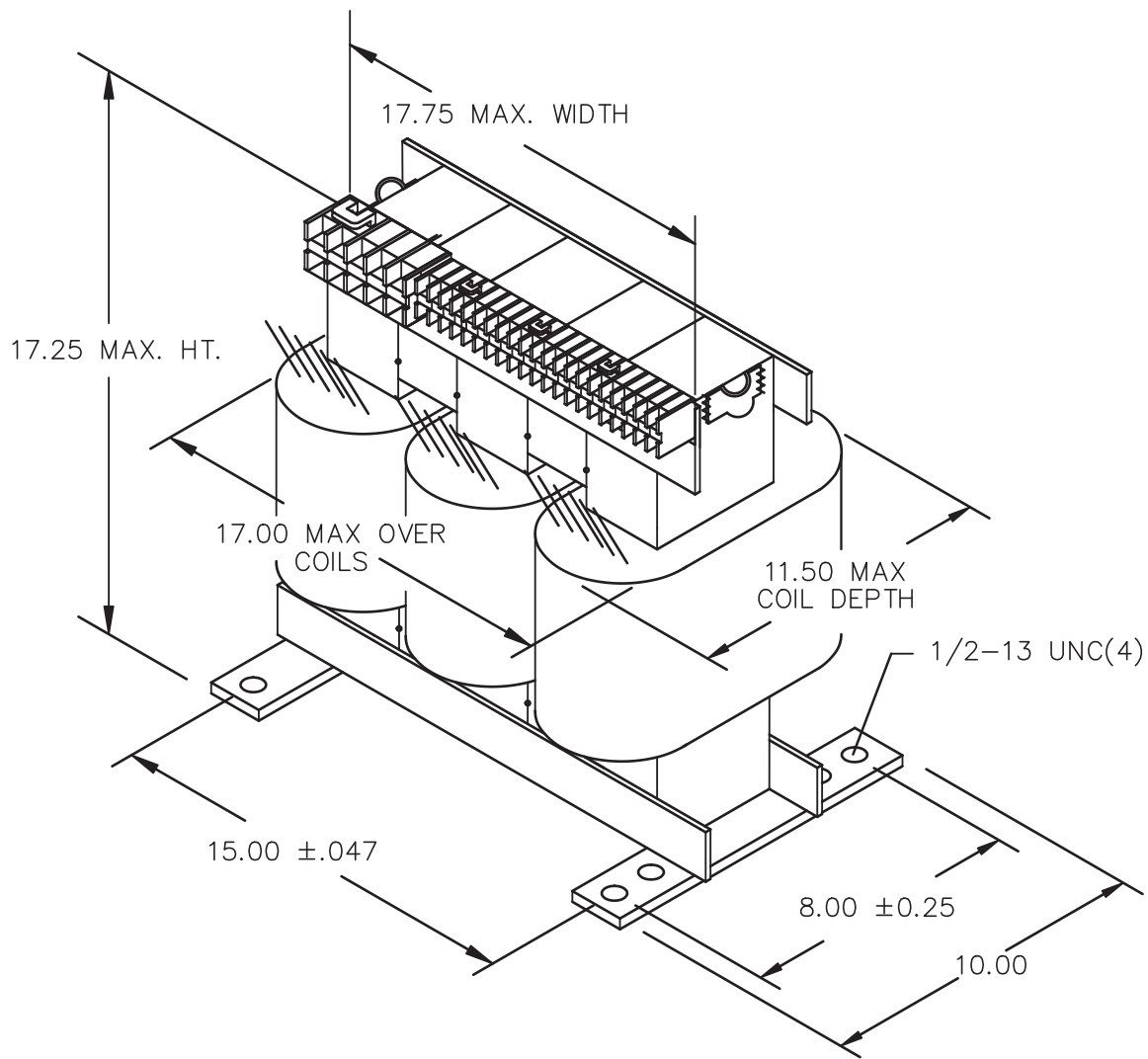
208Y/120V

-

H1 H2 H3

X0 X1 X2 X3





TERMINAL BLOCKS PER ALLEN BRADLEY DWG. 40022-052 PART NO. 2

NOTES : EXTRA HOLES ON BASE PLATE FOR MOUNTING TO SHIPPING SKID.



TITLE: 3PH DISTRIBUTION TRANSFORMER
MECHANICAL INFORMATION

				DES: GPATEL
				DATE: 09/01/19
NO.	DATE	BY	REVISION	SCALE: NTS

SHEET 2 OF 2

EDB 190733

0.0 j.wen 2009/08/12 20:55