



Hammond Power Solutions Inc.

TITLE: 3PH DISTRIBUTION TRANSFORMER
NAMEPLATE INFORMATION

DES:	GPATEL
DATE:	10/01/21
SCALE:	NTS

SHEET 1 OF 2

EDB1545030005

0.2 gpatel 2010/05/18 11:35

THREE PHASE DRY TYPE TRANSFORMER
ALLEN-BRADLEY
MILWAUKEE, WI. USA



LR3902

E112313

P/N

40022-052-05

KVA 30

CLASS AA

TYPE J

TEMP. RISE °C 80

TEMP. CLASS °C 180

FREQ. Hz 60

IMPEDANCE % @ 100 °C 2.8

ENCL. TYPE -

WEIGHT LBS 325

WINDING MATERIAL CU

SERIAL NO:

cab3041e

VOLTS	% RATED VOLTAGE	CONNECTION
504	105	1-2
492	102.5	2-3
480	100	3-4
468	97.5	4-5
456	95	5-6

1545030
REV G

HV

480V

V

BILL kV

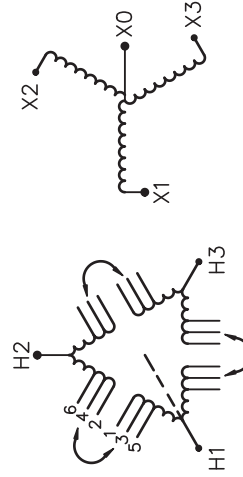
LV

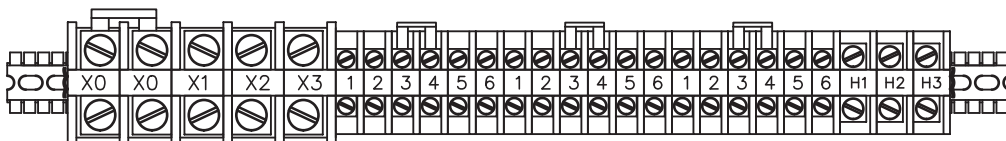
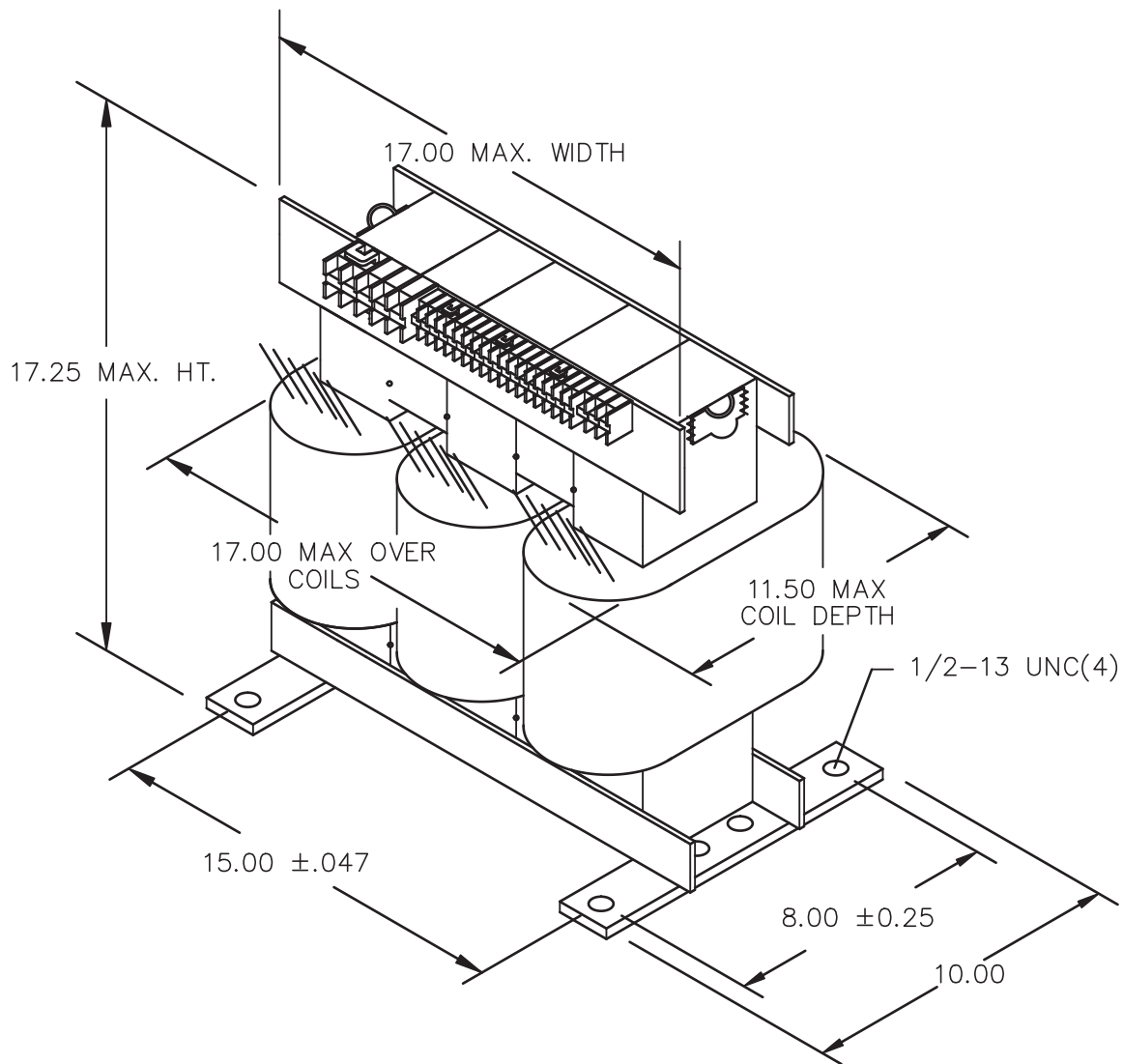
208Y/120V

-

X0 X1 X2 X3

H1 H2 H3





TERMINAL BLOCKS PER ALLEN BRADLEY DWG. 40022-052 PART NO. 5

NOTES : EXTRA HOLES ON BASE PLATE FOR MOUNTING TO SHIPPING SKID.



TITLE: 3PH DISTRIBUTION TRANSFORMER
MECHANICAL INFORMATION

				DES: GPATEL
				DATE: 10/01/21
NO.	DATE	BY	REVISION	SCALE: NTS

SHEET 2 OF 2

EDB1545030005

0.2 gpatel 2010/05/18 11:35