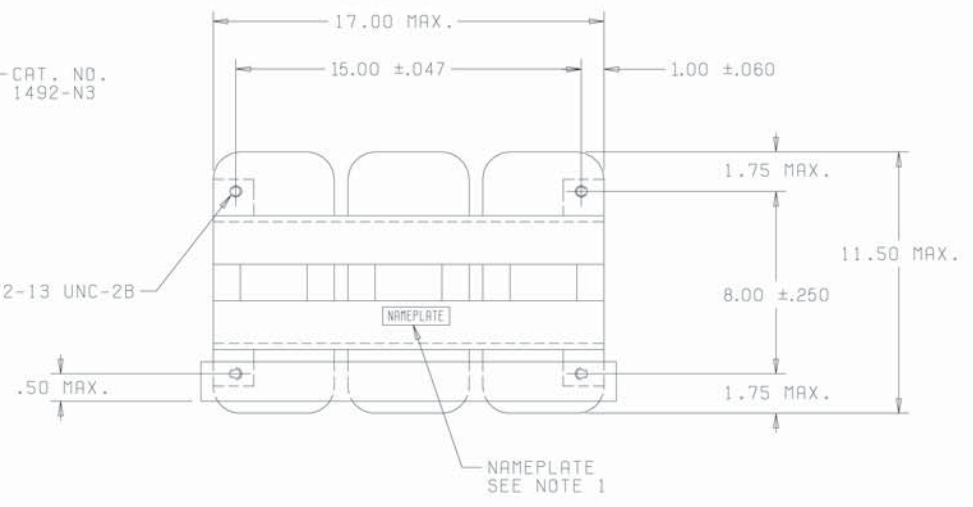
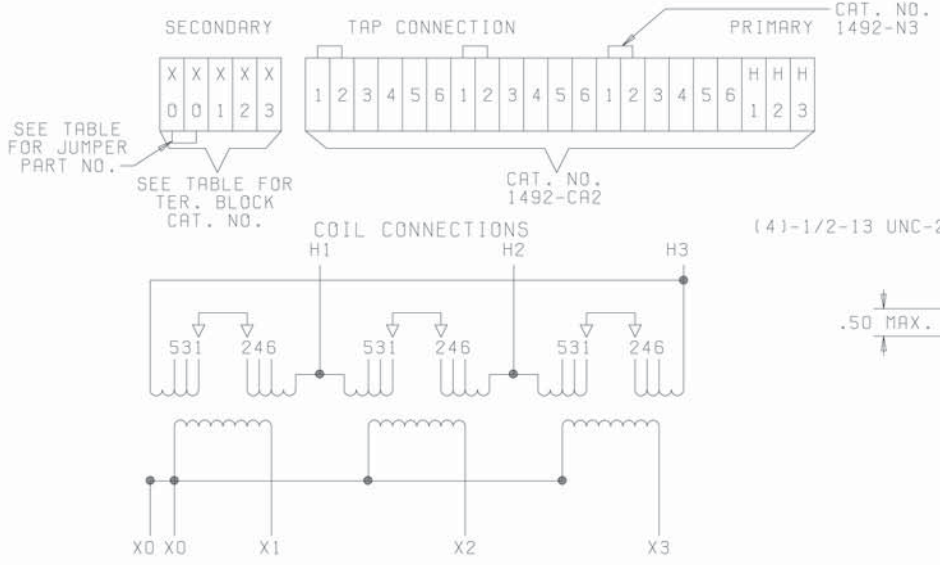


TERMINAL BOARD  
USE ALLEN-BRADLEY TERMINAL BLOCK AND  
JUMPERS AS INDICATED. MARK TERMINALS AS SHOWN.

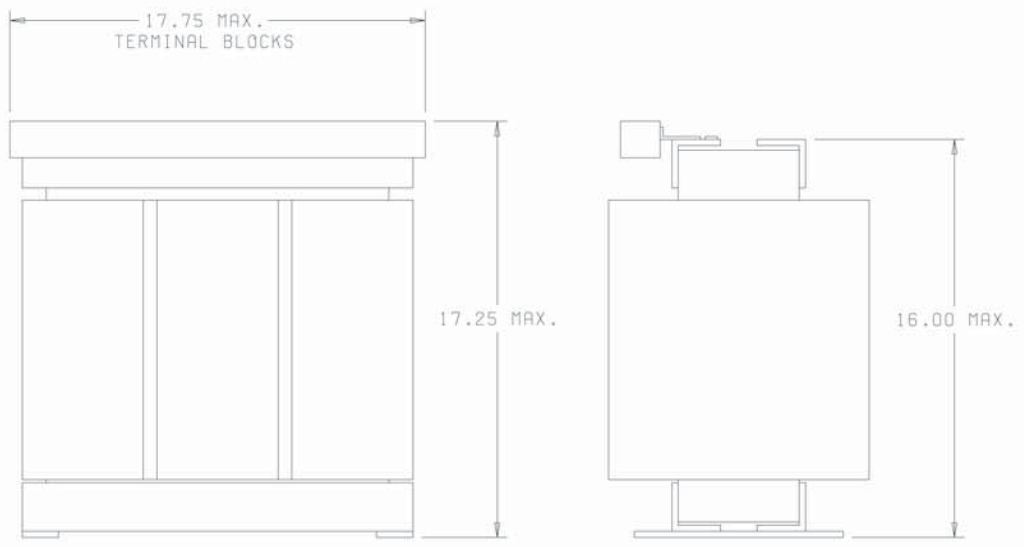
PARTS MUST CONFORM  
TO APPLICABLE  
ALLEN-BRADLEY CO.  
WORKMANSHIP STANDARD  
40126-700



480 VOLTS OR 600 VOLTS DELTA-208Y/120V  
60 HERTZ WITH (2) 2-1/2% TAPS FCAN  
AND (2) 2-1/2% TAPS FCBN

180°C INSULATION 80°C RISE  
VACUUM IMPREGNATED VARNISH  
NATURAL FINISH OVER ENTIRE TRANSFORMER

- NOTE: 1) NAMEPLATE SUPPLIED BY VENDOR MUST INCLUDE THE FOLLOWING:  
ALLEN-BRADLEY NAME, PART NUMBER, PRIMARY VOLTAGE,  
SECONDARY VOLTAGE, KVA RATING, PHASE AND HERTZ.
- 2) MUST BE UL LISTED OR COMPONENT RECOGNIZED.
- 3) TERMINAL SUPPORT TO BE KEPT TO ±0.25 OF STRAIGHTNESS.
- 4) WELDED CORE ACCEPTABLE, DIMENSIONAL AND TEMPERATURE REQUIREMENTS MUST BE MET.



-10	G	30	600	1492-CE2	1492-N21
-09	G	25	600	1492-CE2	1492-N21
-08	G	20	600	1492-CE2	1492-N21
-07	G	15	600	1492-CD2	1492-N3
-06	G	10	600	1492-CD2	1492-N3
-05	G	30	480	1492-CE2	1492-N21
-04	G	25	480	1492-CE2	1492-N21
-03	G	20	480	1492-CE2	1492-N21
-02	G	15	480	1492-CD2	1492-N3
-01	G	10	480	1492-CD2	1492-N3
PART NO.	CHG. LTR.	KVA	PRIMARY VOLTAGE	CAT. NO. OF TERM. BLOCKS	JUMPER PART NO.

TAP CONNECTION	VOLTAGE 480	VOLTAGE 600
1-2	504	630
2-3	492	615
3-4	480	600
4-5	468	585
5-6	456	570

REFERENCES	NONE	TRANSFORMER		cv 40022.052.R10.DCC
REVISION	RELEASE	THREE PHASE		Allen-Bradley THIS DRAWING IS THE PROPERTY OF ROCKWELL INTERNATIONAL CORPORATION OR ITS SUBSIDIARIES AND MAY NOT BE COPIED, USED OR DISCLOSED FOR ANY PURPOSE EXCEPT AS AUTHORIZED IN WRITING BY ROCKWELL INTERNATIONAL CORPORATION
6	21214-93	DR. MERIWETHER	DATE 4-8-85	
7	21040-94	CHKD. N/A	DATE N/A	DWG. SIZE C 40022-052
8	21403-95	APP.D.C. MALKOWSKI	DATE 9-23-85	
9	21067-97			
10	21299-01			