



**Hammond Power Solutions Inc.**

TITLE: 3PH DISTRIBUTION TRANSFORMER  
NAMEPLATE INFORMATION

|     |      |    |          |                |
|-----|------|----|----------|----------------|
| NO. | DATE | BY | REVISION | DES: GPATEL    |
|     |      |    |          | DATE: 09/01/19 |
|     |      |    |          | SCALE: NTS     |

SHEET 1 OF 2

EDB 190735

0.0 j.wen 2009/08/12 20:55

THREE PHASE DRY TYPE TRANSFORMER  
**ALLEN-BRADLEY**  
MILWAUKEE, WI. USA



LR3902



E112313

P/N 40022-053-02

KVA 45

CLASS AN

TYPE J

TEMP. RISE °C 80

TEMP. CLASS °C 180

FREQ. Hz 60

IMPEDANCE % @ 100 °C 4.4

ENCL. TYPE -

WEIGHT LBS 350

INS. SYSTEM 180-1

SERIAL NO:

cab3001e

| VOLTS | % RATED VOLTAGE | CONNECTION |
|-------|-----------------|------------|
| 504   | 105             | 1-2        |
| 492   | 102.5           | 2-3        |
| 480   | 100             | 3-4        |
| 468   | 97.5            | 4-5        |
| 456   | 95              | 5-6        |
|       |                 |            |
|       |                 |            |

190735 (154601200-C)  
REV.G

HV

480V

V

BILL kV

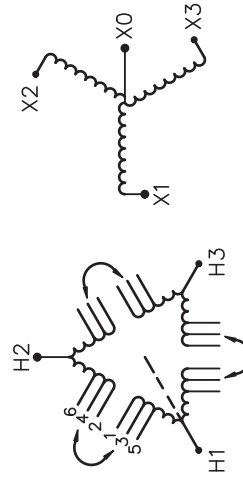
LV

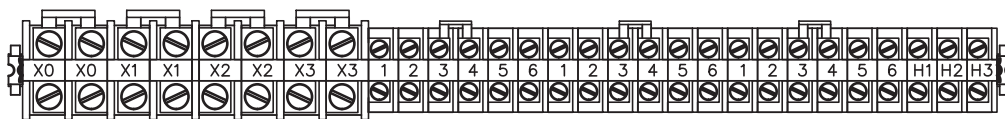
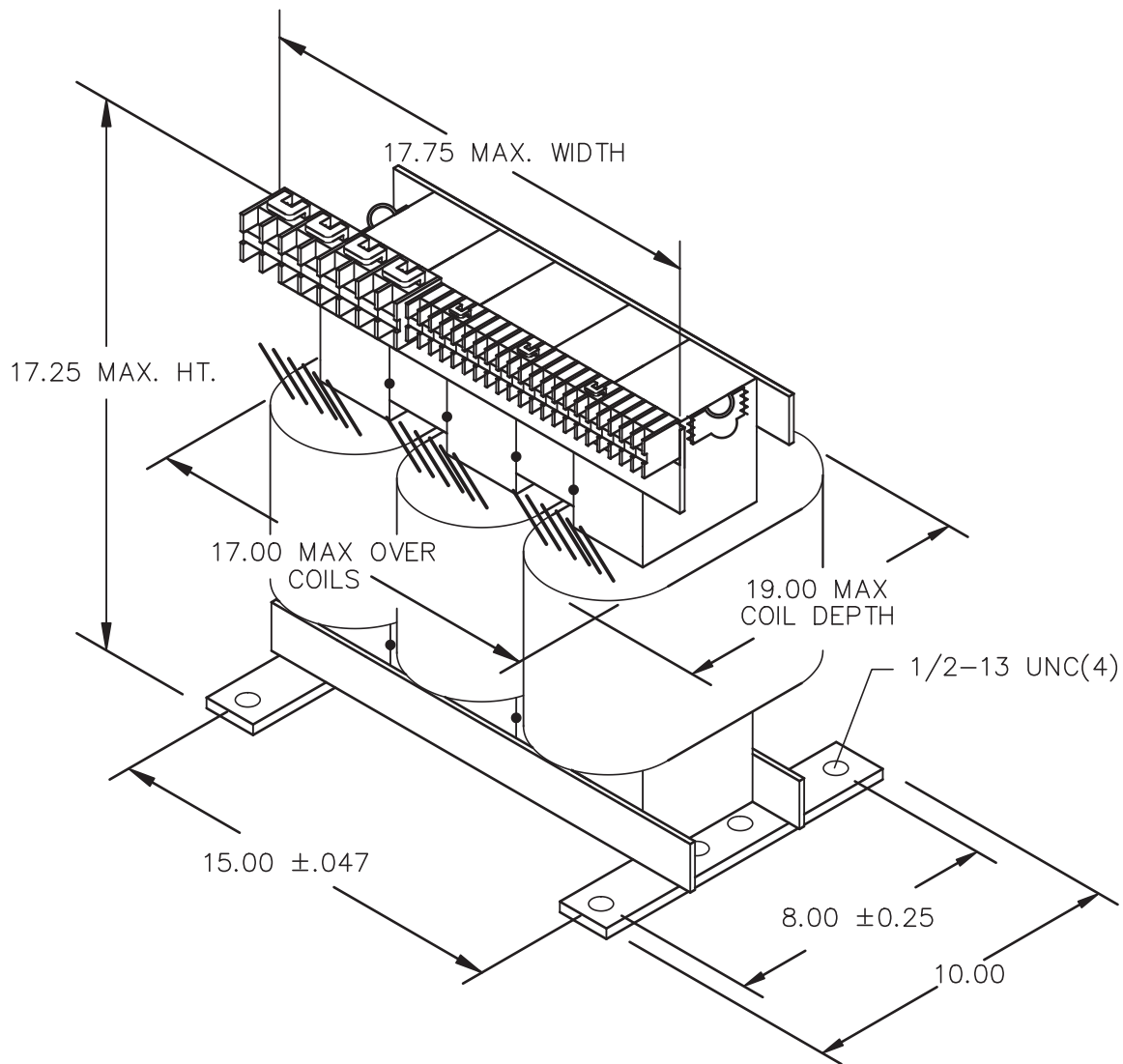
208Y/120V

-

X0 X1 X2 X3

H1 H2 H3





TERMINAL BLOCKS PER ALLEN BRADLEY DWG. 40022-053 PART NO. 2

NOTES : EXTRA HOLES ON BASE PLATE FOR MOUNTING TO SHIPPING SKID.



TITLE: 3PH DISTRIBUTION TRANSFORMER  
MECHANICAL INFORMATION

|     |      |    |          |                |
|-----|------|----|----------|----------------|
|     |      |    |          | DES: GPATEL    |
|     |      |    |          | DATE: 09/01/19 |
| NO. | DATE | BY | REVISION | SCALE: NTS     |

SHEET 2 OF 2

EDB 190735

0.0 jwen 2009/08/12 20:55