

PARTS LIST

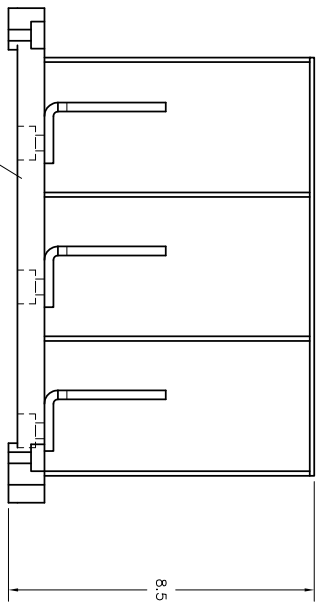
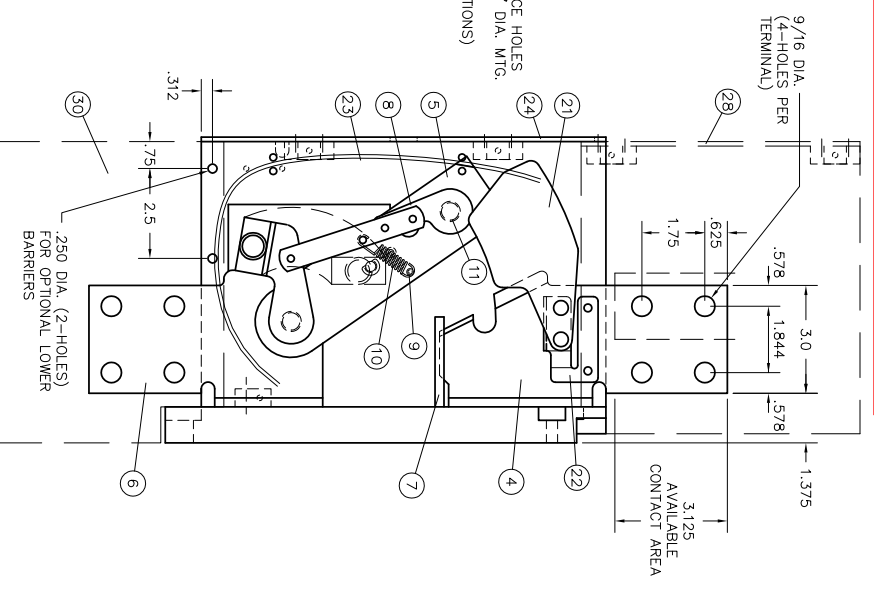
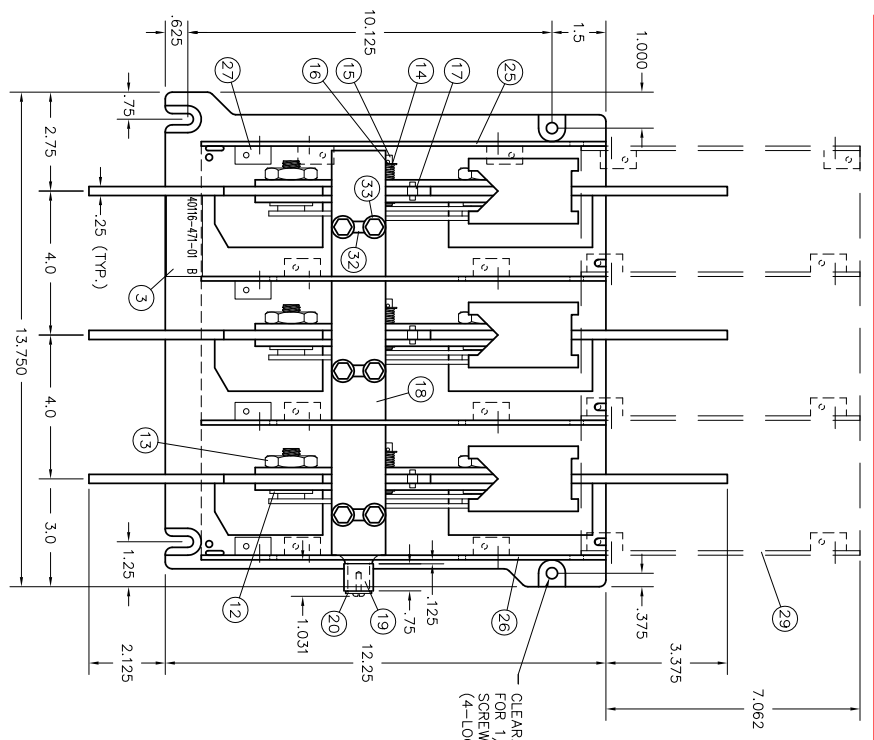
REF.	DESCRIPTION	PART NO.
1	BASE PANEL	74-AM
2	ELIMINATED	
3	MARKER (ALLEN-BRADLEY CONTROL NUMBER)	74-AB
4	JAW	150-MA
5	BLADE	611-T
6	HINGE	150-NA
7	TOGGLE POST	60-OA1
8	LINKAGE ASSEMBLY	ORDER ASSEMBLY
	HINGE LEVER	60-HF
	TOGGLE LINK	60-JF
	CONTACT LEVER	60-KF
	SPACER FOR LINKAGE RIVET	60-LA
	CLAMP BOLT	62-FC
9	SPRING POST	60-S
10	TOGGLE SPRING	60-N
11	THREAD SHIELD	61-M
12	WASHER	60-Y
13	CLAMP NUT	62-R
14	AUXILIARY BLADE PRESSURE SPRING	93
15	AUXILIARY BLADE PRESSURE RIVET	95-1
16	BLADE SPACER	95-R
17	CROSSBAR	50-HG
18	NEEDLE ROLLER BEARING, 5/8" BORE (TOKINGTON PART NO. B-1012)	50-HGW
19	WASHER FOR CROSSBAR	50-HGB
20	ARC CHUTE	ORDER ASSEMBLY
21	ARC CHUTE SIDE WALLS	50-QL & 50-QR
	ARC CHUTE GRID PLATE	146-BB
	ARC CHUTE END GRID PLATE	146-BBX
	ARC CHUTE GRID SHIELD	146-FA
22	ARC CHUTE BRACKETS	72-ABL & 72-ABR
23	#10 COPPER WIRE (16-3/2" OVERALL LENGTH) WITH RING TERMINAL CONNECTORS FOR #8 BOLTS ON EACH END	74-BW
24	FACE BARRIER	79-K
25	SIDE BARRIER	88-B
26	INTERPOLE BARRIER	88-BA
27	BARRIER BLOCK	178-B
28*	FACE BARRIER EXTENSION	79-KE
29*	INTERPOLE BARRIER EXTENSION	88-BAE
30*	INTERPOLE BARRIER BOTTOM EXTENSION (SHIP LOOSE)	88-BAF
31	ELIMINATED	
32	TWIN WASHER	235-GB
33	SPECIAL LOCK WASHER	235-GC

*OPTIONAL (NOT SHIPPED WITH SWITCH UNLESS ORDERED SPECIFICALLY)

SPECIAL 600, 800 & 1200 AMP SWITCH FOR ALLEN-BRADLEY

SCALE: 3-22-89 APPROVED BY: DRAWN BY: JWE
 DATE: 3-22-89 REVISION: 7

REF: ALLEN-BRADLEY PART NO. IS 40016-471-01 B
 FOR SWITCH WITHOUT BARRIERS
boltswitch, inc. DRAWING NUMBER
 CRYSTAL LAKE, ILLINOIS 60014 **O-1480**



FRONT VIEW

SIDE VIEW

END VIEW

GENERAL NOTES:

1. ALL RIVETS AT BOTH ENDS OF LINKAGE ASSEMBLIES TO BE .250 DIA. AND HAVE SPACER WASHERS SO THAT THE HOLLOW OF OF THE RIVETS ARE NOT PLACED IN SHEAR.
2. ALL CONTACT LEVERS CASE HARDENED TO ALLEN-BRADLEY SPECIFICATION 40001-532-04.
3. ALL LUBRICATION SHALL BE NO-OX-ID "A SPECIAL".
4. ALL COPPER PARTS TO BE TIN PLATED.

REV. 7 8-20-86 JWE ARC CHUTE BRACKETS 72-ABR & ABL, WERE 72-A, ARC CHUTE GRIDS 146-BB & BRX WERE 146-BA & BAX, ELIMINATED CROSSBAR 50-HA, ADDED TWIN WASHER 235-GB & SPECIAL LOCK WASHER 235-GC
 REV. 6 11-2-92 JWE NO-OX-ID WAS AERO SHEL, NO. 7, ADDED "B" TO CONTROL NUMBER, MOUNTED BASE PANEL, 74-AM WAS 74-A, ELIMINATED MOUNTING RAILS 74-AR, TORQUE POST 60-OA1 WAS 60-OA

REV. 5 7-19-90 JWE EXTENDED CROSSBAR, ADDED SLOT & 2-HOLES TO SIDE BARRIER
 REV. 4 3-22-90 JWE 1375 WIDTH WAS 1312, MOVED LOWER LEFT MTC. HOLE, ADDED CROSSBAR BARRIER, MOVED ARC CHUTES DOWN .5", ELIMINATED PART 74-L

REV. 3 9-12-89 JWE TOP & BOTTOM BARRIERS MADE OPTIONAL
 REV. 2 7-27-89 JWE UPDATED PART NUMBERS FOR ARC CHUTES AND LINKAGE ASSEMBLIES
 REV. 1 7-14-89 JWE ADDED PART NUMBERS FOR ARC CHUTES & RING TERMINAL CONNECTORS FOR #8 BOLTS